

FCI CONFIDENTIAL



This document is the property of and embodies CONFIDENTIAL and PROPRIETARY information of FCI. No part of the information shown on this document may be used in any way or disclosed to others without the written consent of FCI. Copyright, FCI.

PRODUCT NUMBER  
20020006-XXX1B01LF

20020006 -   1 B 0 1 L F


PITCH

POLES

LF: DENOTED RoHS COMPATIBLE

G: 5.00 mm  
H: 5.08 mm

02: 2 POLES  
03: 3 POLES  
04: 4 POLES  
-----  
24: 24 POLES

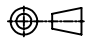

PROPERTY TABLE		
FCI SERIES NAME	01-500	01-508
PITCH (mm)	5.00	5.08
VOLTAGE RATING (VAC)	300	300
CURRENT RATING (A)	12	12
APPLICABLE WIRE RANGE (AWG)	12 24	12 24
WIRE CROSS SECTION (mm×mm)	4.0 0.2	4.0 0.2
WIRE STRIP LENGTH(mm)	7 8	7 8
TORQUE +/-10% (N-m/Lb-in)	0.57/5.0	0.57/5.0
SCREW	M3x0.5	M3x0.5
WITHSTANDING VOLTAGE (kV)	1.6	1.6
OPERATING TEMP. (°C)	-40 +115	-40 +115
POLES AVAILABLE	02 24	02 24
SAFETY CERTIFICATE		

**NOTES:**

- MATERIALS**  
1-1 HOUSING: THERMALPLASTIC RESIN, UL 94V-0 RATED, COLOR GREEN.  
1-2 SCREW: STEEL, ZINC PLATED.  
1-3 CLAMP: BRASS, NICKEL PLATED.  
1-4 TERMINAL: PHOSPHOROUS BRONZES, TIN PLATED.
- PRODUCT SPECIFICATION REFER TO FCI GS-12-625.
- BOX PACKAGING,  
DETAILED PRODUCT PACKING SPECIFICATION REFER TO FCI GS-14-1394.
- FCI, SAFETY CERTIFICATE LOGO AND SERIES NAME TO BE SHOWN ON PRODUCT SURFACE.
- THE PRODUCTS WHERE THE PART NUMBER END IN "LF" MEET THE EUROPEAN UNION DIRECTIVE AND OTHER COUNTRY REGULATIONS AS DESCRIBED IN GS-22-008.

TOLERANCES UNLESS OTHERWISE SPECIFIED				
	rev	ecn no	dr	date
	A	DG09-0203	BF	062509
	B	T09-1148	BF	111709
	C	T09-1152	BF	112609
	D	T10-0042	WL	03/03/10

	x	±0.5		
LINEAR	XX	±0.30	-	-
	XXX	±0.10	-	-
ANGULAR	X*	±*	-	-

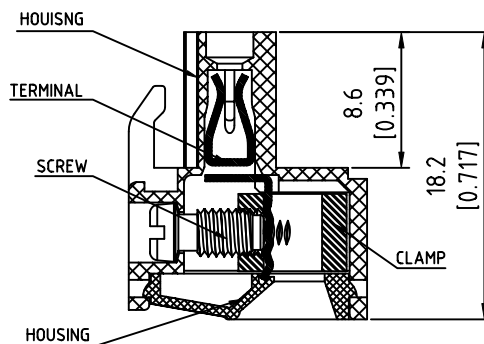
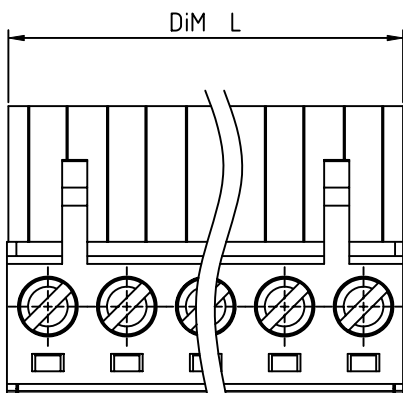
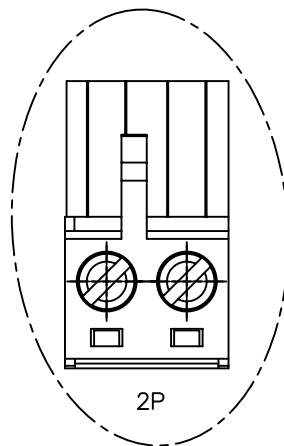
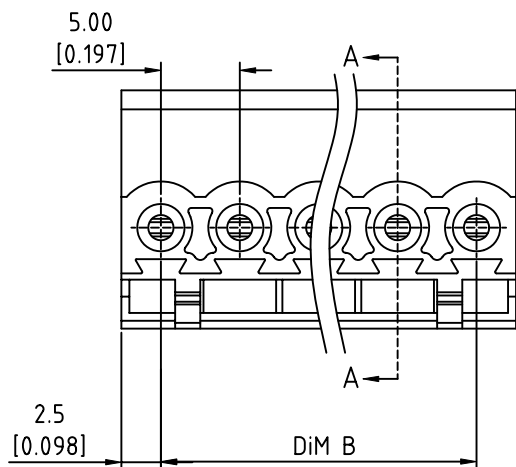
Material	Spec ref	*		
Mat code	✓	tolerance	projection	MM
Heattreat				
Plating/Finish			size	Scale
Dr	BEER FU	062509	A4	
Eng	BEER FU	062509	Product family	
Chr	GARY HSIEH	062509	Model Name	ECN T10-0042
Appr	JOSEPH HSIA	062509	Model Revision	REL Level RELEASED
	title	TERMINAL BLOCK		dwg no
		Pluggable plug, contact up side		20020006
Pro/E file	catalog no	CUSTOMER	sheet 1 of 3	Rev. D

FCI CONFIDENTIAL

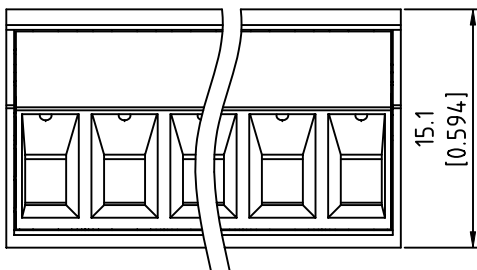


This document is the property of and embodies CONFIDENTIAL and PROPRIETARY information of FCI. No part of the information shown on this document may be used in any way or disclosed to others without the written consent of FCI. Copyright, FCI.

PRODUCT NUMBER	SERIES NAME	PITCH
20020006-GXX1B01LF	01-500	5.00 mm



SECTION A-A



N = Number of poles  
 Dim A =  $N \times 5.0 [0.197]$   
 Dim B =  $(N-1) \times 5.0 [0.197]$

TOL.	Dim A	Dim B
2-5p	$\pm 0.15 [0.006]$	
6-10p	$\pm 0.20 [0.008]$	
11-15p	$\pm 0.25 [0.010]$	
16-20p	$\pm 0.30 [0.012]$	
21-24p	$\pm 0.40 [0.016]$	

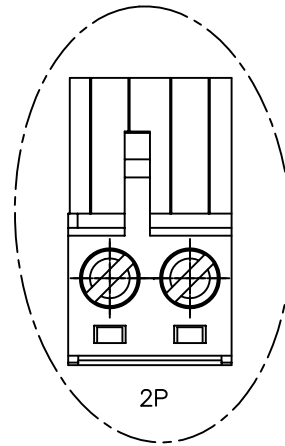
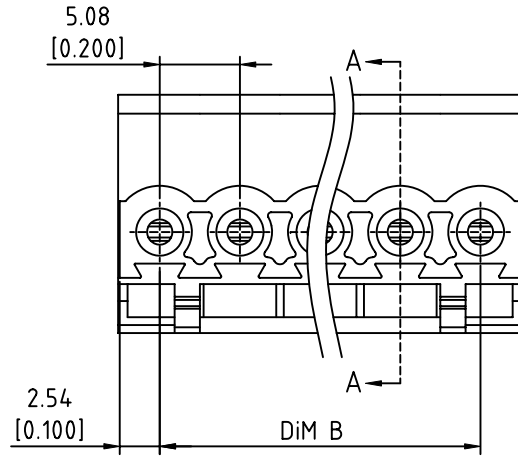
Material		Spec ref		
Mat code		✓	tolerance	projection
Heattreat				MM
Plating/Finish				← MM
Dr	BEER FU 062509			size A4
Eng	BEER FU 062509	Product family		Scale
Chr	GARY HSIEH 062509	Model Name		ECN T10-0042
Appr	JOSEPH HSIA 062509	Model Revision		REL Level RELEASED
	title	TERMINAL BLOCK		dwg no
		Pluggable plug, contact up side		20020006
Pro/E file	catalog no	CUSTOMER		Rev. D
		sheet 2 of 3		

FCI CONFIDENTIAL



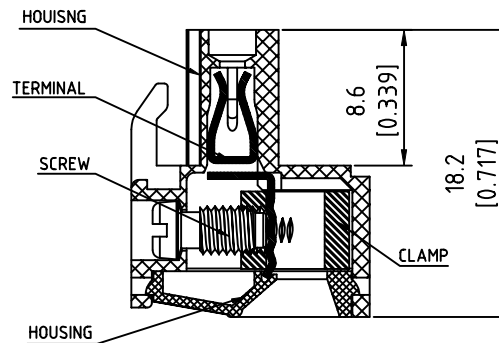
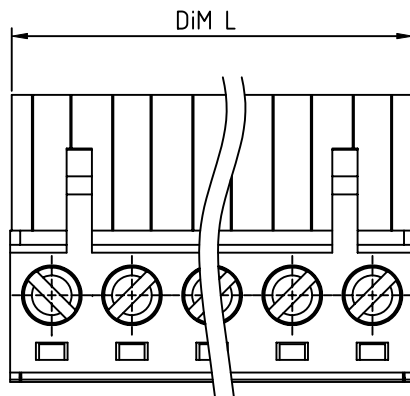
This document is the property of and embodies CONFIDENTIAL and PROPRIETARY information of FCI. No part of the information shown on this document may be used in any way or disclosed to others without the written consent of FCI. Copyright, FCI.

PRODUCT NUMBER	SERIES NAME	PITCH
20020006-HXX1B01LF	01-508	5.08 mm

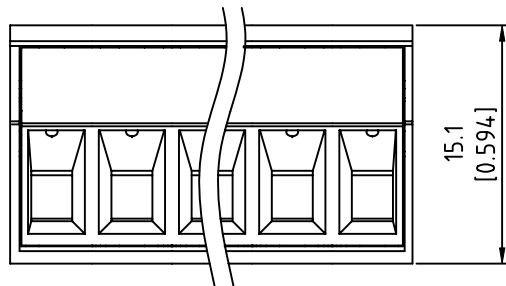


N = Number of poles  
 Dim A =  $N \times 5.08 [0.200]$   
 Dim B =  $(N-1) \times 5.08 [0.200]$

TOL.	Dim A	Dim B
2-5p	$\pm 0.15 [0.006]$	
6-10p	$\pm 0.20 [0.008]$	
11-15p	$\pm 0.25 [0.010]$	
16-20p	$\pm 0.30 [0.012]$	
21-24p	$\pm 0.40 [0.016]$	



SECTION A-A



Material		Spec ref		
Mat code		✓	tolerance	projection
Heattreat				MM
Plating/Finish				← MM
Dr	BEER FU 062509		size	A4
Eng	BEER FU 062509	Product family		Scale
Chr	GARY HSIEH 062509	Model Name		ECN T10-0042
Appr	JOSEPH HSIA 062509	Model Revision		REL Level RELEASED
		title		TERMINAL BLOCK
		title		Pluggable plug, contact up side
		dwg no		20020006
		Rev.		D
Pro/E file	catalog no	CUSTOMER		sheet 3 of 3