

FEATURES

- Radial Format
- Up to 1.8A IDC
- 10 μ H to 68mH
- Low DC Resistance
- Miniature Size
- PCB Mounting
- MILI-23053/5 Class III Slewing
- Fully Tinned Leads
- Supplied in Packs of 20
- Custom Parts Available

DESCRIPTION

The 1700 Series is a general-purpose range of inductors suitable for low to medium current applications. Their small footprint makes them ideal for high-density applications where a chip inductor will not cope with the power requirement.

SELECTION GUIDE

| Order Code | Inductance $\pm 10\%$ (at 1kHz) μ H | DC Resistance Ω MAX | DC Current Continuous A MAX | Nominal Q at f kHz | | Nominal Self Resonant Frequency MHz |
|--------------|---|----------------------------------|-----------------------------------|--------------------|------|--|
| | | | | Q | f | |
| 17103 | 10.0 | 0.05 | 1.80 | 40 | 1000 | 21.2 |
| 17153 | 15.0 | 0.06 | 1.50 | 30 | 500 | 19.4 |
| 17223 | 22.0 | 0.08 | 1.20 | 30 | 500 | 17.0 |
| 17333 | 33.0 | 0.13 | 1.00 | 25 | 500 | 11.4 |
| 17473 | 47.0 | 0.20 | 0.86 | 25 | 500 | 10.9 |
| 17683 | 68.0 | 0.26 | 0.85 | 70 | 100 | 10.6 |
| 17104 | 100.0 | 0.35 | 0.74 | 65 | 100 | 8.9 |
| 17154 | 150.0 | 0.49 | 0.58 | 80 | 100 | 6.2 |
| 17224 | 220.0 | 0.75 | 0.48 | 90 | 100 | 5.4 |
| 17334 | 330.0 | 1.10 | 0.42 | 95 | 100 | 4.5 |
| 17474 | 470.0 | 1.50 | 0.34 | 100 | 100 | 3.2 |
| 17684 | 680.0 | 2.40 | 0.28 | 105 | 100 | 3.0 |
| 17105 | 1.0mH | 3.30 | 0.19 | 120 | 100 | 2.5 |
| 17155 | 1.5mH | 5.90 | 0.15 | 130 | 100 | 2.1 |
| 17225 | 2.2mH | 7.80 | 0.12 | 130 | 50 | 1.9 |
| 17335 | 3.3mH | 9.1 | 0.11 | 125 | 150 | 1.2 |
| 17475 | 4.7mH | 12.0 | 0.09 | 130 | 150 | 0.95 |
| 17685 | 6.8mH | 20.0 | 0.08 | 135 | 150 | 0.85 |
| 17106 | 10.0mH | 34.0 | 0.07 | 140 | 150 | 0.62 |
| 17156 | 15.0mH | 45.0 | 0.06 | 145 | 150 | 0.51 |
| 17226 | 22.0mH | 75.0 | 0.05 | 100 | 50 | 0.34 |
| 17336 | 33.0mH | 100.0 | 0.04 | 90 | 50 | 0.28 |
| 17476 | 47.0mH | 140.0 | 0.03 | 80 | 50 | 0.25 |
| 17686 | 68.0mH | 220.0 | 0.02 | 70 | 50 | 0.20 |

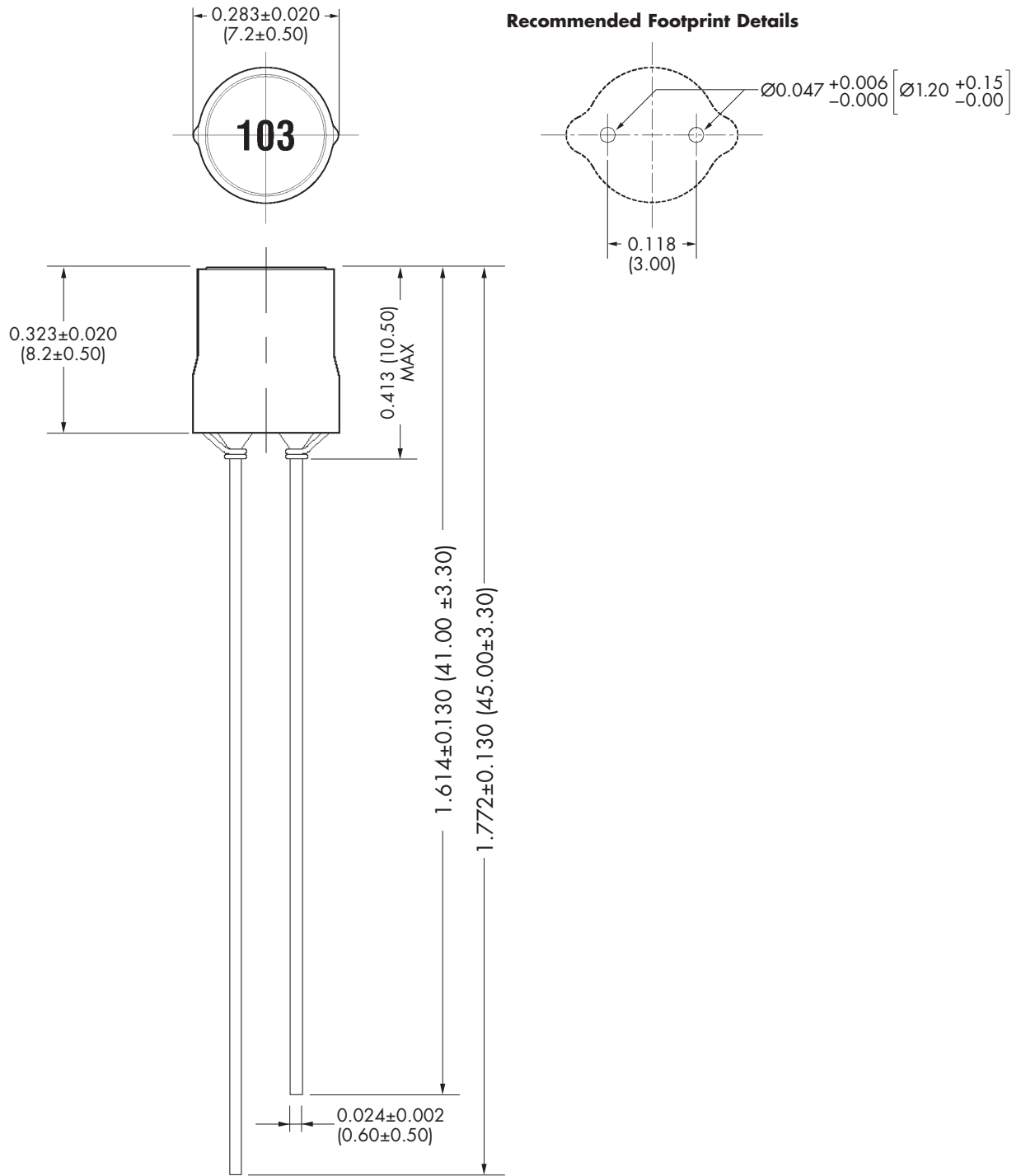
TYPICAL CORE CHARACTERISTICS

| Inductance Temperature Coefficient | Resistance Temperature Coefficient | Curie Temperature T_C | Saturation Flux B_{SAT} |
|------------------------------------|------------------------------------|-------------------------|---------------------------|
| 350ppm | 3900ppm | 190°C | 325mT |

ABSOLUTE MAXIMUM RATINGS

| | |
|--------------------------------------|----------------|
| Operating free air temperature range | 0°C to 70°C |
| Storage temperature range | -40°C to 125°C |

MECHANICAL DIMENSIONS



All dimensions in mm XX.X ± 0.50 , XX.XX ± 0.25

C&D Technologies Inc. reserve the right to alter or improve the specification, internal design or manufacturing process at any time, without notice. Please check with your supplier or visit our web site to ensure that you have the current and complete specification for your product before use.

© C&D Technologies (NCL) Limited 2004

NMP 1700.3

No part of this publication may be copied, transmitted or stored in a retrieval system or reproduced in any way including, but not limited to, photography, photocopy, magnetic or other recording means, without prior written permission from C&D Technologies Inc.

Instructions for use are available from: www.cdpoweronline.com

C&D Technologies (NCL) Ltd
Tanners Drive, Blakelands North
Milton Keynes MK14 5BU, England
Tel: +44 (0)1908 615232
Fax: +44 (0)1908 617545
email: info@cdtechno-ncl.com

www.cdpoweronline.com

C&D Technologies Inc.
3400 E Britannia Drive, Tucson,
Arizona 85706, USA
Tel: +1 (800) 547-2537
Fax: +1 (520) 741-4598
email: sales@cdtechno.com