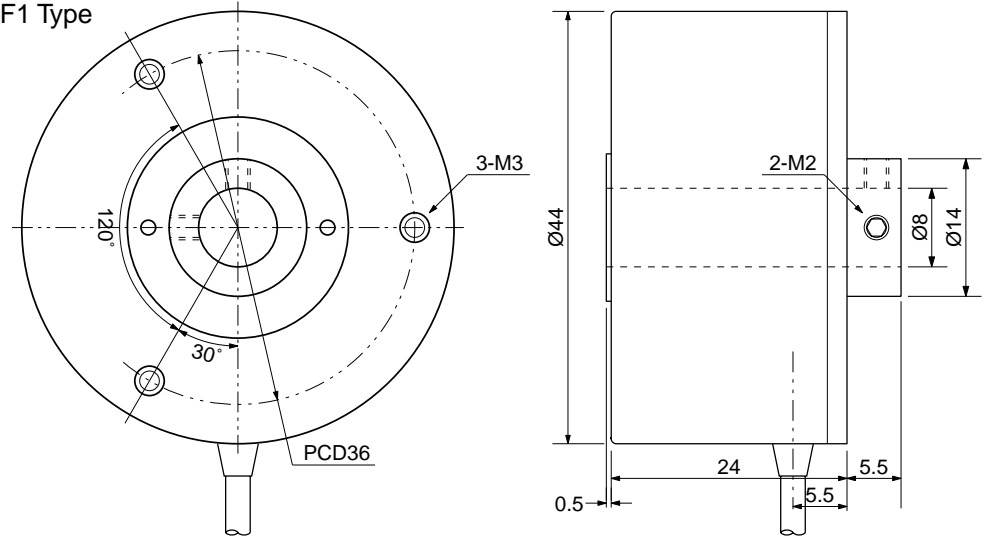


*Ø8, 9.525 (0.375"), & 12 optional bore sizes

F1 Type



SPECIFICATIONS

	TYPE	" "	C	E
Supply Voltage	5 ~ 12 ±10%		5 ~ 12 VDC 24 VDC ±10%	5VDC
Current	60mA max.			
Output Voltage	H	V _{cc} - 1V	≥ 2.5V	
	L	≤ 0.5V		
Sink Current	20mA max.			
Signal Risetime	≤ 2µS			
Freq. Response	100kHz			

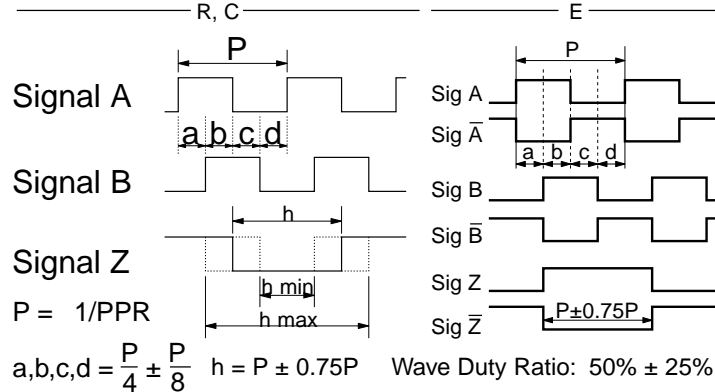
MECHANICAL

1. Max Shaft Load; radial: 2.0 kgf
axial: 1.0 kgf
2. Moment of Inertia: 4 g•cm²
3. Angular Acceleration: 1x10⁴ rad/S²
4. Max Slewing Speed: 6000 RPM
5. Starting Torque: 30 gf•cm max.
6. Rotational Life: 1 x 10⁷ rpm•hrs

ENVIRONMENTAL

1. Operating Temp: 0° to +60° C
2. Storage Temp: -20° to +80° C
3. Humidity: 90% RH, no condensation
4. Vibration: 10~ 55 Hz, 1.5 mm, 2 hrs
5. Shock: 50G, 11ms, 3 axes, 3 reps

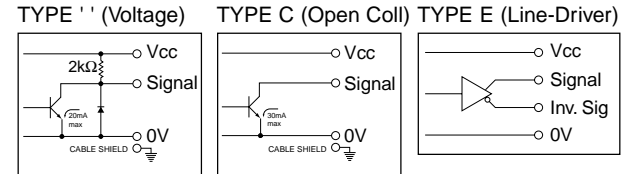
OUTPUT WAVEFORM (Clockwise rotation viewed from front)



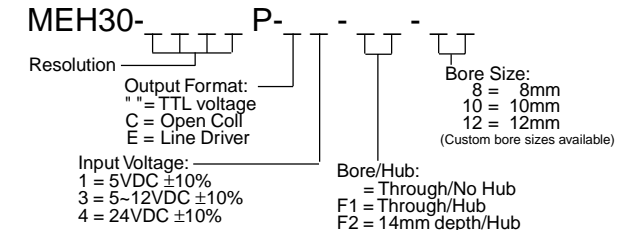
STANDARD RESOLUTIONS

MEH30-XXXX			
100	100 P/R	500	500 P/R
200	200 P/R	600	600 P/R
250	250 P/R	800	800 P/R
300	300 P/R	1000	1000 P/R
360	360 P/R	1024	1024 P/R
400	400 P/R	1200	1200 P/R
450	450 P/R	1500	1500 P/R
1800	1800 P/R	1800	1800 P/R
2000	2000 P/R	2000	2000 P/R
2048	2048 P/R	2048	2048 P/R
2500	2500 P/R	2500	2500 P/R
3600	3600 P/R	3600	3600 P/R
4500	4500 P/R	4500	4500 P/R

OUTPUT CIRCUITS



ORDERING INSTRUCTIONS



CUI Stack, Inc.
9615 SW Allen Blvd. #103
Beaverton, OR 97005
Tel: 503/643-4899 FAX: 503/643-6129

DRAWN BY JAS	UPDATED 03/07/00	CHECKED 03/07/00	RELEASED
PART NO. MEH30-XXXXP-XX-XX-XX			REV. A