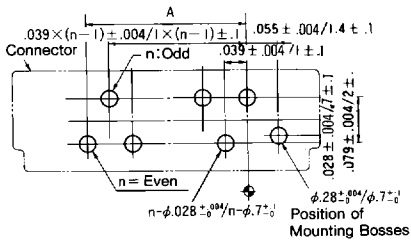
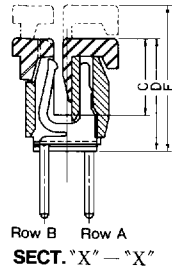
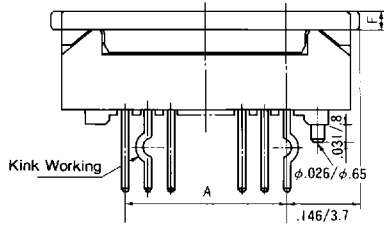
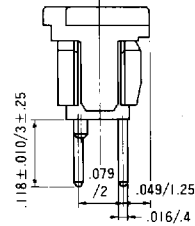
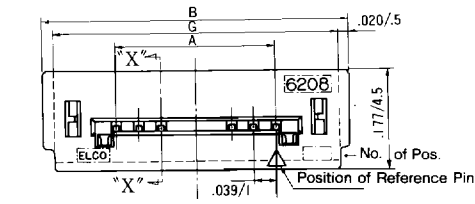


1,00 mm Spacing

SERIES 6208

Through-Hole Vertical ZIF



Mounting Hole Pattern (Connector Mounting Side)
Recommended P.C. Board Thickness (t=.047/1.2~.063/1.6)

Specifications:

- Number of Contacts - 5-30
- Tray Packaged
- Current Rating - 1.0 amp max.
- Voltage - 50 V
- Dielectric Withstanding Voltage - 500 V RMS min.
- Operating Temperature - (-30°C ~ +85°C)
- Contact Material - phosphor bronze (tin-lead plated)
- Slider Material - PPS (UL 94 V-O)
- Insulator Material - glass-filled nylon or PPS (UL 94 V-O)
- Profile Height - See "D" dimension.
- FFC / FPC Thickness - 0,3±0,05 mm (.012±.002")
- PCB Thickness - 1,2 ~ 1,6 mm .047 ~ .063"

No. of Pos.	A	B	C	D	(E) (Ref Only)	F	G
05	.157/ 4.0	.449/ 11.4	.134/3.4	.197/5.0	(2.56)/(6.5)	.031/ .8	.409/10.4
06	.197/ 5.0	.488/12.4	.134/3.4	.197/5.0	(2.56)/(6.5)	.031/ .8	.449/11.4
07	.236/ 6.0	.528/13.4	.134/3.4	.197/5.0	(2.56)/(6.5)	.031/ .8	.488/12.4
08	.276/ 7.0	.567/14.4	.134/3.4	.197/5.0	(2.56)/(6.5)	.031/ .8	.528/13.4
09	.315/ 8.0	.606/15.4	.134/3.4	.197/5.0	(2.56)/(6.5)	.031/ .8	.567/14.4
10	.354/ 9.0	.646/16.4	.134/3.4	.197/5.0	(2.56)/(6.5)	.031/ .8	.606/15.4
11	.394/10.0	.685/17.4	.134/3.4	.197/5.0	(2.56)/(6.5)	.031/ .8	.646/16.4
12	.433/11.0	.724/18.4	.134/3.4	.197/5.0	(2.56)/(6.5)	.031/ .8	.685/17.4
13	.472/12.0	.764/19.4	.134/3.4	.197/5.0	(2.56)/(6.5)	.031/ .8	.724/18.4
14	.512/13.0	.803/20.4	.134/3.4	.197/5.0	(2.56)/(6.5)	.031/ .8	.764/19.4
15	.551/14.0	.843/21.4	.134/3.4	.197/5.0	(2.56)/(6.5)	.031/ .8	.803/20.4
16	.591/15.0	.882/22.4	.134/3.4	.197/5.0	(2.56)/(6.5)	.031/ .8	.843/21.4
17	.630/16.0	.921/23.4	.134/3.4	.197/5.0	(2.56)/(6.5)	.031/ .8	.882/22.4
18	.669/17.0	.961/24.4	.134/3.4	.197/5.0	(2.56)/(6.5)	.031/ .8	.921/23.4
19	.709/18.0	1.000/25.4	.134/3.4	.197/5.0	(2.56)/(6.5)	.031/ .8	.961/24.4
20	.748/19.0	1.039/26.4	.134/3.4	.197/5.0	(2.56)/(6.5)	.031/ .8	1.000/25.4
21	.787/20.0	1.079/27.4	.142/3.6	.205/5.2	(2.64)/(6.7)	.039/1.0	1.039/26.4
22	.827/21.0	1.118/28.4	.142/3.6	.205/5.2	(2.64)/(6.7)	.039/1.0	1.079/27.4
23	.866/22.0	1.157/29.4	.142/3.6	.205/5.2	(2.64)/(6.7)	.039/1.0	1.118/28.4
24	.906/23.0	1.197/30.4	.142/3.6	.205/5.2	(2.64)/(6.7)	.039/1.0	1.157/29.4
25	.945/24.0	1.236/31.4	.142/3.6	.205/5.2	(2.64)/(6.7)	.039/1.0	1.197/30.4
26	.984/25.0	1.276/32.4	.154/3.9	.217/5.5	(2.76)/(7.0)	.051/1.3	1.236/31.4
27	1.024/26.0	1.315/33.4	.154/3.9	.217/5.5	(2.76)/(7.0)	.051/1.3	1.276/32.4
28	1.063/27.0	1.354/34.4	.154/3.9	.217/5.5	(2.76)/(7.0)	.051/1.3	1.315/33.4
29	1.102/28.0	1.394/35.4	.154/3.9	.217/5.5	(2.76)/(7.0)	.051/1.3	1.354/34.4
30	1.142/29.0	1.433/36.4	.154/3.9	.217/5.5	(2.76)/(7.0)	.051/1.3	1.394/35.4

Dimensions inches / mm

ORDERING CODE

Typical Example

00 6208 000 105 001

TRAY PACK

VARIATION CODE

- 0: With Kink
- 1: Without Kink

VARIATION CODE

- 0: Without Boss
- 1: With Boss (1 place)

NUMBER OF CONTACTS

5 ~ 30

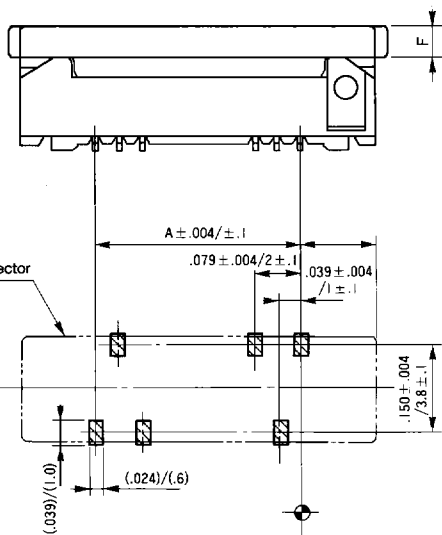
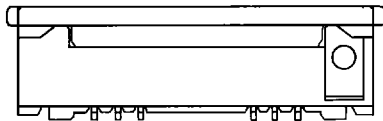
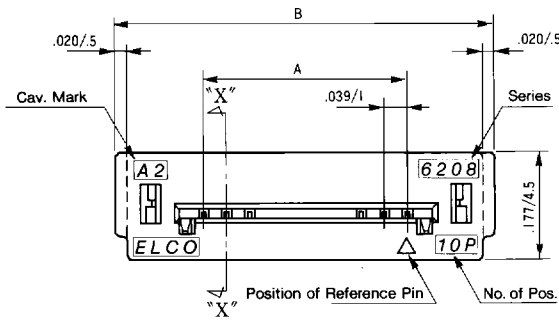
0: PPS- Black

1: Nylon- Red/Brown

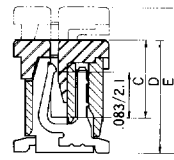
1,00 mm Spacing

SERIES 6208

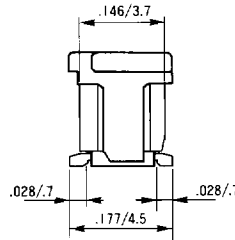
Surface Mount without Boss Vertical ZIF



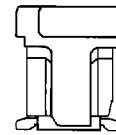
Mounting Hole Pattern (Connector Mounting Side)



SECT. "X" - "X"



(5~12 Contacts)



(13~25 Contacts)

Specifications:

- Number of Contacts - 5~26
27~30 Available with Wider Slider
Consult factory for larger sizes.
- 500 or 1000 Connectors per Tape & Reel or Tray (See page 24.)
- Current Rating - 1.0 amp max.
- Voltage - 50 V
- Dielectric Withstanding Voltage - 500 V RMS min.
- Operating Temperature - (-30°C ~ +85°C)
- Contact Material - phosphor bronze (tin-lead plated)
- Slider Material -PPS (UL 94 V-O)
Color - Black
- Insulator Material -PPS (UL 94 V-O)
Color - Black
- Profile Height - See "D" dimension.
- FFC / FPC Thickness - 0,3±0,05 mm (.012±.002")

No. of Pos	A	B	C	D	E (Ref. Only)	F
05	.157/ 4.0	.449/11.4	.134/3.4	.197/5.0	(.256)/(6.5)	.031/ .8
06	.197/ 5.0	.488/12.4	.134/3.4	.197/5.0	(.256)/(6.5)	.031/ .8
07	.236/ 6.0	.528/13.4	.134/3.4	.197/5.0	(.256)/(6.5)	.031/ .8
08	.276/ 7.0	.567/14.4	.134/3.4	.197/5.0	(.256)/(6.5)	.031/ .8
09	.315/ 8.0	.606/15.4	.134/3.4	.197/5.0	(.256)/(6.5)	.031/ .8
10	.354/ 9.0	.646/16.4	.134/3.4	.197/5.0	(.256)/(6.5)	.031/ .8
11	.394/10.0	.685/17.4	.134/3.4	.197/5.0	(.256)/(6.5)	.031/ .8
12	.433/11.0	.724/18.4	.134/3.4	.197/5.0	(.256)/(6.5)	.031/ .8
13	.472/12.0	.764/19.4	.134/3.4	.197/5.0	(.256)/(6.5)	.031/ .8
14	.512/13.0	.803/20.4	.134/3.4	.197/5.0	(.256)/(6.5)	.031/ .8
15	.551/14.0	.843/21.4	.134/3.4	.197/5.0	(.256)/(6.5)	.031/ .8
16	.591/15.0	.882/22.4	.134/3.4	.197/5.0	(.256)/(6.5)	.031/ .8
17	.630/16.0	.921/23.4	.134/3.4	.197/5.0	(.256)/(6.5)	.031/ .8
18	.669/17.0	.961/24.4	.134/3.4	.197/5.0	(.256)/(6.5)	.031/ .8
19	.709/18.0	1.000/25.4	.134/3.4	.197/5.0	(.256)/(6.5)	.031/ .8
20	.748/19.0	1.039/26.4	.134/3.4	.197/5.0	(.256)/(6.5)	.031/ .8
21	.787/20.0	1.079/27.4	.142/3.6	.205/5.2	(.264)/(6.7)	.039/1.0
22	.827/21.0	1.118/28.4	.142/3.6	.205/5.2	(.264)/(6.7)	.039/1.0
23	.866/22.0	1.157/29.4	.142/3.6	.205/5.2	(.264)/(6.7)	.039/1.0
24	.906/23.0	1.197/30.4	.142/3.6	.205/5.2	(.264)/(6.7)	.039/1.0
25	.945/24.0	1.236/31.4	.142/3.6	.205/5.2	(.264)/(6.7)	.039/1.0
26	.984/25.0	1.276/32.4	.154/3.9	.217/5.5	(.276)/(7.0)	.051/1.3

Dimensions inches / mm

ORDERING CODE

Typical Example

00 6208 500 005 000

TRAYPACK PACKAGING

See page 25 FOR TAPE AND REEL

VARIATION CODE

500: SMT Type Without Boss

NUMBER OF CONTACTS

5 ~ 26

27 ~ 30, 40 (Contact factory for Availability)

O: Standard FFC/FPC

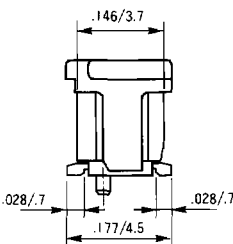
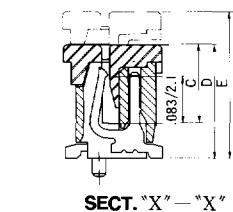
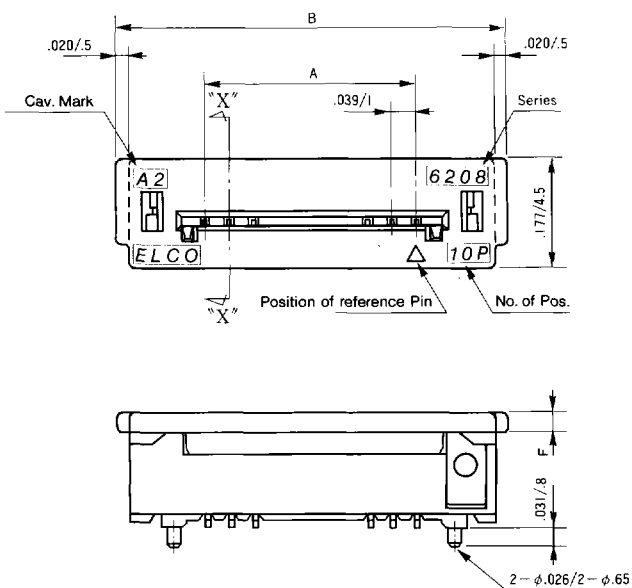
9: Carbon Past Contact Membrane Flex

Note: Drawings are in inches/millimeters.

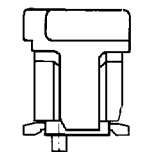
1,00 mm Spacing

SERIES 6208

Surface Mount with Boss Vertical ZIF



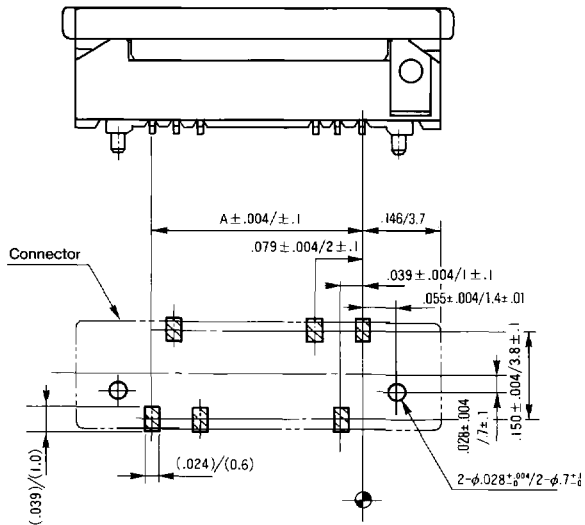
(5~12 Contacts)



(13~25 Contacts)

Specifications:

- Number of Contacts - 5~26
- Tray Packaged
- Voltage - 50 V
- Current Rating - 1.0 amp max.
- Dielectric Withstanding Voltage - 500 V RMS min.
- Operating Temperature - (-30°C ~ +85°C)
- Contact Material - phosphor bronze (tin-lead plated)
- Slider Material - PPS (UL 94 V-O)
Color - Black
- Insulator Material - PPS (UL 94 V-O)
Color - Black
- Profile Height - See "D" dimension.
- FFC / FPC Thickness - 0,3±0,05 mm (.012±.002")



Mounting Hole Pattern (Connector Mounting Side)

No. of Pos.	A	B	C	D	E	F
05	.157/ 4.0	.449/11.4	.134/3.4	.197/5.0	(.256)/(6.5)	.031/ .8
06	.197/ 5.0	.488/12.4	.134/3.4	.197/5.0	(.256)/(6.5)	.031/ .8
07	.236/ 6.0	.528/13.4	.134/3.4	.197/5.0	(.256)/(6.5)	.031/ .8
08	.276/ 7.0	.567/14.4	.134/3.4	.197/5.0	(.256)/(6.5)	.031/ .8
09	.315/ 8.0	.606/15.4	.134/3.4	.197/5.0	(.256)/(6.5)	.031/ .8
10	.354/ 9.0	.646/16.4	.134/3.4	.197/5.0	(.256)/(6.5)	.031/ .8
11	.394/10.0	.685/17.4	.134/3.4	.197/5.0	(.256)/(6.5)	.031/ .8
12	.433/11.0	.724/18.4	.134/3.4	.197/5.0	(.256)/(6.5)	.031/ .8
13	.472/12.0	.764/19.4	.134/3.4	.197/5.0	(.256)/(6.5)	.031/ .8
14	.512/13.0	.803/20.4	.134/3.4	.197/5.0	(.256)/(6.5)	.031/ .8
15	.551/14.0	.843/21.4	.134/3.4	.197/5.0	(.256)/(6.5)	.031/ .8
16	.591/15.0	.882/22.4	.134/3.4	.197/5.0	(.256)/(6.5)	.031/ .8
17	.630/16.0	.921/23.4	.134/3.4	.197/5.0	(.256)/(6.5)	.031/ .8
18	.669/17.0	.961/24.4	.134/3.4	.197/5.0	(.256)/(6.5)	.031/ .8
19	.709/18.0	1.000/25.4	.134/3.4	.197/5.0	(.256)/(6.5)	.031/ .8
20	.748/19.0	1.039/26.4	.134/3.4	.197/5.0	(.256)/(6.5)	.031/ .8
21	.787/20.0	1.079/27.4	.142/3.6	.205/5.2	(.264)/(6.7)	.039/1.0
22	.827/21.0	1.118/28.4	.142/3.6	.205/5.2	(.264)/(6.7)	.039/1.0
23	.866/22.0	1.157/29.4	.142/3.6	.205/5.2	(.264)/(6.7)	.039/1.0
24	.906/23.0	1.197/30.4	.142/3.6	.205/5.2	(.264)/(6.7)	.039/1.0
25	.945/24.0	1.236/31.4	.142/3.6	.205/5.2	(.264)/(6.7)	.039/1.0
26	.984/25.0	1.276/32.4	.154/3.9	.217/5.5	(.276)/(7.0)	.051/1.3

Dimensions inches / mm

ORDERING CODE

Typical Example

00 6208 520 005 000

VARIATION CODE

520: SMT Type With Boss (2 places)

NUMBER OF CONTACTS

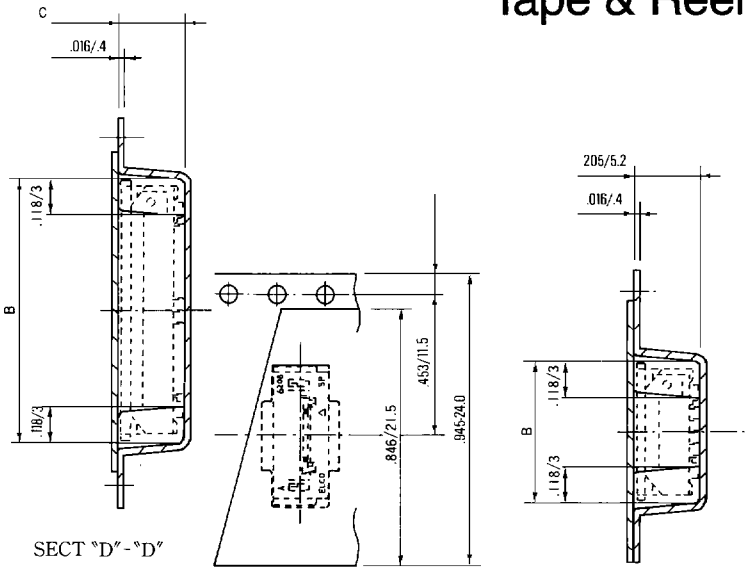
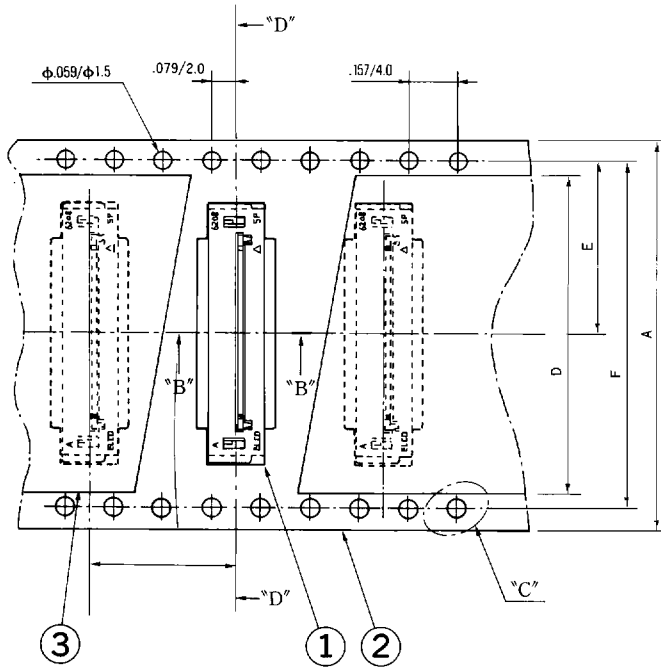
5~26

27~30, 40 (Contact factory for Availability)

1,00 mm Spacing

SERIES 6208

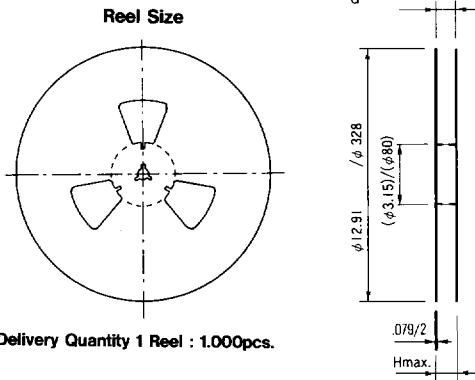
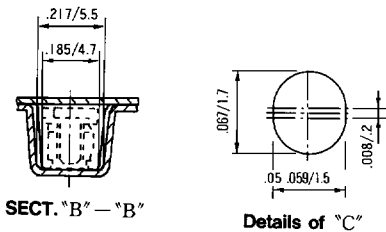
Tape & Reel



SECT "D"-"D"

- ① Connector
- ② Emboss Tape: Polystyrene (Transparency)
- ③ Top Tape: Polyester $t=.00295 \pm .0004 / 75 \mu\text{m} \pm 10 \mu\text{m}$

.945/24mm in Width



No. of Pos.	A Tape Width	Tape Width Variation No.	B	C	D	E	F	G	H
05	.945/24.0	1	.457/11.6	.205/5.2	.846/21.5	.453/11.5		.961/24.4	1.197/30.4
06	.945/24.0	1	.496/12.6	.205/5.2	.846/21.5	.453/11.5		.961/24.4	1.197/30.4
07	.945/24.0	1	.535/13.6	.205/5.2	.846/21.5	.453/11.5		.961/24.4	1.197/30.4
08	.945/24.0	1	.575/14.6	.205/5.2	.846/21.5	.453/11.5		.961/24.4	1.197/30.4
09	.945/24.0	1	.614/15.6	.205/5.2	.846/21.5	.453/11.5		.961/24.4	1.197/30.4
10	.945/24.0	1	.654/16.6	.205/5.2	.846/21.5	.453/11.5		.961/24.4	1.197/30.4
11	1.260/32.0	2	.693/17.6	.205/5.2	1.028/26.1	.559/14.2	1.118/28.4	1.276/32.4	1.512/38.4
12	1.260/32.0	2	.732/18.6	.205/5.2	1.028/26.1	.559/14.2	1.118/28.4	1.276/32.4	1.512/38.4
13	1.260/32.0	2	.772/19.6	.205/5.2	1.028/26.1	.559/14.2	1.118/28.4	1.276/32.4	1.512/38.4
14	1.260/32.0	2	.811/20.6	.205/5.2	1.028/26.1	.559/14.2	1.118/28.4	1.276/32.4	1.512/38.4
15	1.260/32.0	2	.850/21.6	.205/5.2	1.028/26.1	.559/14.2	1.118/28.4	1.276/32.4	1.512/38.4
16	1.260/32.0	2	.890/22.6	.205/5.2	1.028/26.1	.559/14.2	1.118/28.4	1.276/32.4	1.512/38.4
17	1.732/44.0	3	.929/23.6	.205/5.2	1.457/37.0	.765/20.2	1.591/40.4	1.748/44.4	1.984/50.4
18	1.732/44.0	3	.969/24.6	.205/5.2	1.457/37.0	.765/20.2	1.591/40.4	1.748/44.4	1.984/50.4
19	1.732/44.0	3	1.008/25.6	.205/5.2	1.457/37.0	.765/20.2	1.591/40.4	1.748/44.4	1.984/50.4
20	1.732/44.0	3	1.047/26.6	.205/5.2	1.457/37.0	.765/20.2	1.591/40.4	1.748/44.4	1.984/50.4
21	1.732/44.0	3	1.087/27.6	.213/5.4	1.457/37.0	.765/20.2	1.591/40.4	1.748/44.4	1.984/50.4
22	1.732/44.0	3	1.126/28.6	.213/5.4	1.457/37.0	.765/20.2	1.591/40.4	1.748/44.4	1.984/50.4
23	1.732/44.0	3	1.165/29.6	.213/5.4	1.457/37.0	.765/20.2	1.591/40.4	1.748/44.4	1.984/50.4
24	1.732/44.0	3	1.205/30.6	.213/5.4	1.457/37.0	.765/20.2	1.591/40.4	1.748/44.4	1.984/50.4
25	1.732/44.0	3	1.244/31.6	.213/5.4	1.457/37.0	.765/20.2	1.591/40.4	1.748/44.4	1.984/50.4
26	1.732/44.0	3	1.283/32.6	.224/5.7	1.457/37.0	.765/20.2	1.591/40.4	1.748/44.4	1.984/50.4

Dimensions inches/mm

ORDERING CODE

Typical Example

00 6208 505 110 000

TAPE AND REEL PACKAGING

For SMT With out Boss

NUMBER OF CONTACTS

5~26

TAPE WIDTH VARIATION CODE

1: .945"/24mm 2: 1.260"/32mm 3: 1.732"/44mm

FLEX TYPE

0: Standard FFC/FPC Flex 9: Carbon Paste for Membrane Flex

1000 per reel