

**SUPER FAST
GLASS PASSIVATED RECTIFIERS**

REVERSE VOLTAGE - **50 to 600** Volts
FORWARD CURRENT - **8.0** Amperes

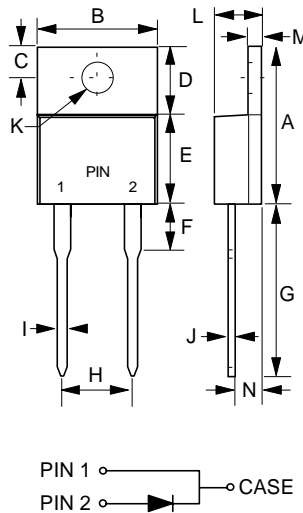
FEATURES

- Glass passivated chip
- Superfast switching time for high efficiency
- Low forward voltage drop and high current capability
- Low reverse leakage current
- High surge capacity
- Plastic package has UL flammability classification 94V-0

MECHANICAL DATA

- Case : TO-220AC molded plastic
- Polarity : As marked on the body
- Weight : 0.08 ounces, 2.24 grams
- Mounting position : Any

TO-220AC



TO-220AC		
DIM.	MIN.	MAX.
A	14.22	15.88
B	9.65	10.67
C	2.54	3.43
D	5.84	6.86
E	8.26	9.28
F	-	6.35
G	12.70	14.73
H	4.83	5.33
I	0.51	1.14
J	0.30	0.64
K	3.53 \varnothing	4.09 \varnothing
L	3.56	4.83
M	1.14	1.40
N	2.03	2.92

All Dimensions in millimeter

MAXIMUM RATINGS AND ELECTRICAL CHARACTERISTICS

Ratings at 25°C ambient temperature unless otherwise specified.
Single phase, half wave, 60Hz, resistive or inductive load.
For capacitive load, derate current by 20%

CHARACTERISTICS	SYMBOL	STPR 805DF	STPR 810DF	STPR 815DF	STPR 820DF	STPR 830DF	STPR 840DF	STPR 850DF	STPR 860DF	UNIT
Maximum Recurrent Peak Reverse Voltage	V _{RRM}	50	100	150	200	300	400	500	600	V
Maximum RMS Voltage	V _{RMS}	35	70	105	140	210	280	350	420	V
Maximum DC Blocking Voltage	V _{DC}	50	100	150	200	300	400	500	600	V
Maximum Average Forward Rectified Current @T _C =100°C	I _(AV)	8								A
Peak Forward Surge Current 8.3ms single half-sine-wave superimposed on rated load (JEDEC Method)	I _{FSM}	125								A
Maximum Forward Voltage at 8.0A DC	V _F	0.95			1.3		1.5			V
Maximum DC Reverse Current at Rated DC Blocking Voltage @T _J =25°C @T _J =100°C	I _R	5				500				uA
Typical Junction Capacitance (Note 1)	C _J	110						60		pF
Maximum Reverse Recovery Time (Note 2)	T _{RR}	35				50				ns
Typical Thermal Resistance (Note 3)	R _{θJC}	2.5								°C/W
Operating and Storage Temperature Range	T _J , T _{STG}	-55 to +150								°C

NOTES :1.Measured at 1.0MHz and applied reverse voltage of 4.0V DC.
2.Reverse Recovery Test Conditions:IF=0.5A,IR=1.0A,IRR 0.25A.
3.Thermal Resistance Junction to Case.

FIG.1 - FORWARD CURRENT DERATING CURVE

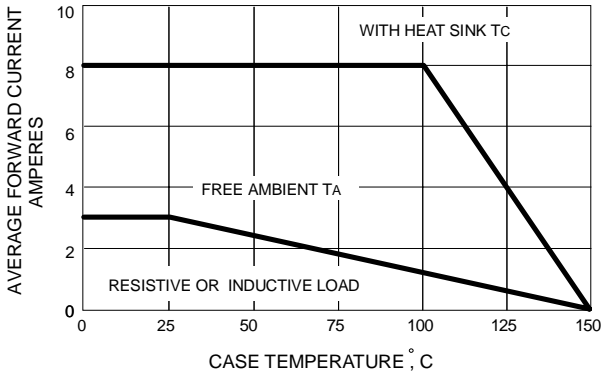


FIG.2 - MAXIMUM NON-REPETITIVE SURGE CURRENT

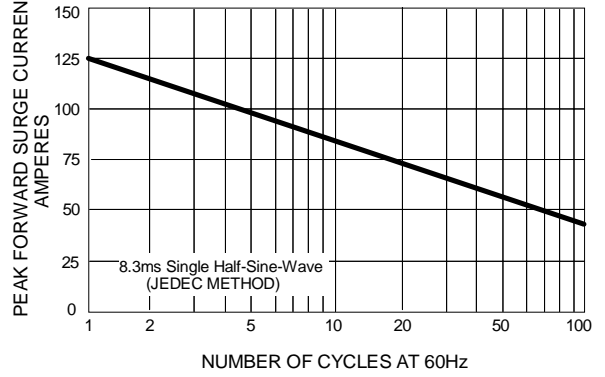


FIG.3 - TYPICAL REVERSE CHARACTERISTICS

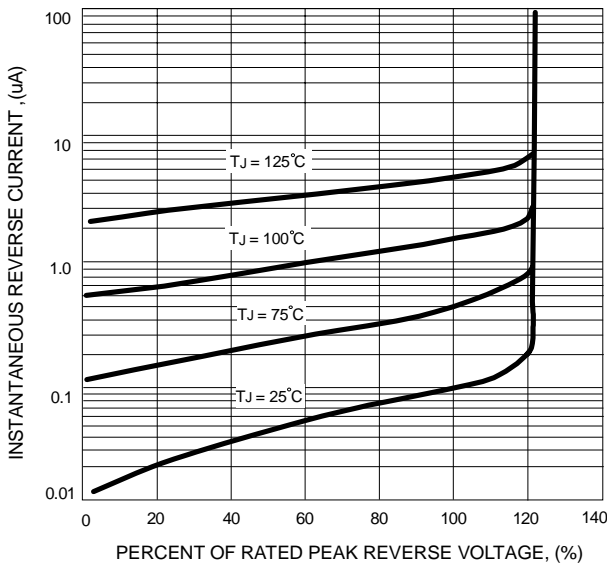


FIG.4 - TYPICAL FORWARD CHARACTERISTICS

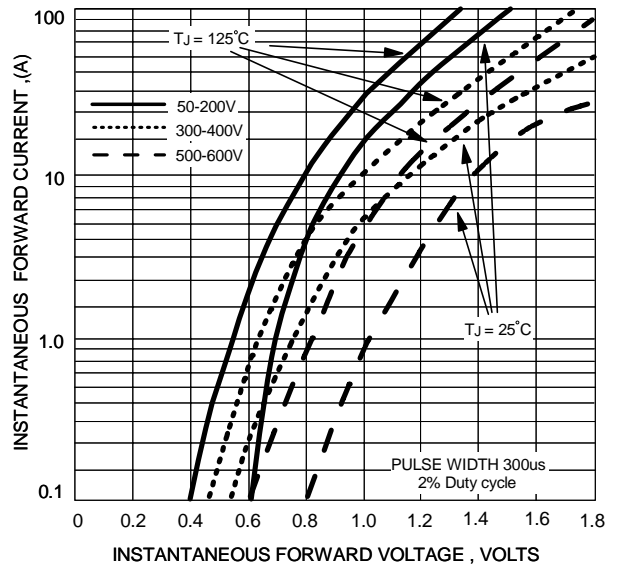


FIG.5 - TYPICAL JUNCTION CAPACITANCE

