

*ADMtek Incorporated*

*ADM 9513*

**LAN/Modem Controller with Embedded Fast Ethernet PHY**



---

# **Centaur-II**

## **ADM9513–LAN/Modem Controller for PCI/Mini-PCI/CardBus With Embedded Fast Ethernet PHY**

---

**Revision 1.1  
Jun. 2001**

---

ADMtek Incorporated  
1F, No9, Industrial E. 9<sup>th</sup> Road  
Science-Based Industrial Park  
300 Hsinchu, Taiwan, R.O.C.

Version: 1.1

Tel:886-3-5788879 Fax: 886-3-5788871

*ADMtek Incorporated Confidential*

*<http://www.admtek.com.tw>*

***ADMtek Incorporated******ADM 9513*****LAN/Modem Controller with Embedded Fast Ethernet PHY**

---

**Revision History**

<b>Release Date</b>	<b>Revision</b>	<b>Description</b>
<b>October 2000</b>	<b>0.1</b>	<b>Draft product spec for review</b>
<b>November 2000</b>	<b>1.0</b>	<b>Rearrange and add appendix</b>
<b>June 2001</b>	<b>1.1</b>	<b>Rename registers of CSR16, CSR17, ...etc.</b>

---

ADMtek Incorporated  
1F, No9, Industrial E. 9<sup>th</sup> Road  
Science-Based Industrial Park  
300 Hsinchu, Taiwan, R.O.C.

Version: 1.1

Tel:886-3-5788879 Fax: 886-3-5788871

*ADMtek Incorporated Confidential*

*<http://www.admtek.com.tw>*

*ADMtek Incorporated**ADM 9513***LAN/Modem Controller with Embedded Fast Ethernet PHY**


---

**Table of Contents**

<b><u>1. GENERAL DESCRIPTION .....</u></b>	<b><u>6</u></b>
<b><u>2. FEATURES.....</u></b>	<b><u>7</u></b>
<b><u>3. TYPICAL APPLICATION .....</u></b>	<b><u>10</u></b>
<b><u>4. ARCHITECTURE DIAGRAM .....</u></b>	<b><u>11</u></b>
<b><u>5. BALL GRID ARRAY PIN OUT DIAGRAM.....</u></b>	<b><u>12</u></b>
<b><u>6. PIN ASSIGNMENTS.....</u></b>	<b><u>13</u></b>
<b><u>7. PIN DESCRIPTION .....</u></b>	<b><u>14</u></b>
<b><u>8. REGISTERS AND DESCRIPTORS DESCRIPTION .....</u></b>	<b><u>19</u></b>
<b>8.1. PCI/CARDBUS CONFIGURATION REGISTERS .....</b>	<b>19</b>
8.1.1. FUNCTION 0: ETHERNET PCI CONFIGURATION REGISTERS .....	19

**ADMtek Incorporated****ADM 9513****LAN/Modem Controller with Embedded Fast Ethernet PHY**

8.1.1.1.	Ethernet PCI configuration registers list .....	19
8.1.1.2.	Ethernet PCI configuration registers table .....	20
8.1.1.3.	Ethernet PCI configuration registers description .....	21
8.1.2.	FUNCTION 1: MODEM PCI CONFIGURATION REGISTERS .....	30
8.1.2.1.	Modem PCI configuration registers list .....	30
8.1.2.2.	Modem PCI configuration registers table.....	31
8.1.2.3.	Modem PCI configuration registers description.....	32
<b>8.2.</b>	<b>CONTROL/STATUS REGISTERS .....</b>	<b>40</b>
8.2.1.	ETHERNET CONTROL/STATUS REGISTERS .....	40
8.2.1.1.	Ethernet Control/Status registers list.....	40
8.2.1.2.	Ethernet Control/Status registers description .....	41
8.2.2.	MODEM CONTROL/STATUS REGISTERS.....	64
8.2.2.1.	Modem Control/Status registers list .....	64
8.2.2.2.	Modem Control/Status registers description .....	64
<b>8.3.</b>	<b>TRANSCEIVER (XCVR) REGISTERS .....</b>	<b>69</b>
8.3.1.	TRANSCEIVER REGISTERS LIST .....	69
8.3.2.	TRANSCEIVER REGISTERS DESCRIPTION.....	70
<b>8.4.</b>	<b>DESCRIPTORS AND BUFFER MANAGEMENT.....</b>	<b>80</b>
8.4.1.	RECEIVE DESCRIPTOR.....	80
8.4.1.1.	Receive descriptor table .....	80
8.4.1.2.	Receive descriptor description .....	80
8.4.2.	TRANSMIT DESCRIPTOR.....	83
8.4.2.1.	Transmit descriptor table.....	83
8.4.2.2.	Transmit descriptor description.....	83
<b>9.</b>	<b>FUNCTIONAL DESCRIPTIONS.....</b>	<b>84</b>
<b>9.1.</b>	<b>INITIALIZATION FLOW .....</b>	<b>84</b>

**ADMtek Incorporated****ADM 9513****LAN/Modem Controller with Embedded Fast Ethernet PHY**

<b>9.2.</b>	<b>NETWORK PACKET BUFFER MANAGEMENT.....</b>	<b>87</b>
9.2.1.	DESCRIPTOR STRUCTURE TYPES.....	87
9.2.2.	THE POINT OF DESCRIPTOR MANAGEMENT.....	90
<b>9.3.</b>	<b>TRANSMIT SCHEME AND TRANSMIT EARLY INTERRUPT.....</b>	<b>92</b>
9.3.1.	TRANSMIT FLOW.....	92
9.3.2.	TRANSMIT PRE-FETCH DATA FLOW.....	93
9.3.3.	TRANSMIT EARLY INTERRUPT SCHEME.....	94
<b>9.4.</b>	<b>RECEIVE SCHEME AND RECEIVE EARLY INTERRUPT SCHEME.....</b>	<b>95</b>
<b>9.5.</b>	<b>NETWORK OPERATION.....</b>	<b>97</b>
9.5.1.	MAC OPERATION.....	97
9.5.2.	TRANSCEIVER OPERATION.....	98
9.5.3.	FLOW CONTROL IN FULL DUPLEX APPLICATION.....	103
<b>9.6.</b>	<b>RESET OPERATION.....</b>	<b>106</b>
9.6.1.	RESET WHOLE CHIP.....	106
9.6.2.	RESET TRANSCEIVER ONLY.....	106
<b>9.7.</b>	<b>WAKE-ON-LAN FUNCTION.....</b>	<b>107</b>
<b>9.8.</b>	<b>ACPI POWER MANAGEMENT FUNCTION.....</b>	<b>108</b>
9.8.1.	POWER STATES.....	108
<b>9.9.</b>	<b>MODEM OPERATION.....</b>	<b>110</b>
<b>9.10.</b>	<b>LED DISPLAY OPERATION.....</b>	<b>111</b>
<b><u>10. GENERAL EEPROM FORMAT DESCRIPTION.....</u></b>		<b><u>112</u></b>
<b><u>11. ELECTROICAL SPECIFICATIONS AND TIMINGS.....</u></b>		<b><u>114</u></b>
<b><u>12. Package.....</u></b>		<b><u>123</u></b>
<b><u>13. APENDIX 1 Layout Guide.....</u></b>		<b><u>124</u></b>

# *ADMtek Incorporated*

## *ADM 9513*

### **LAN/Modem Controller with Embedded Fast Ethernet PHY**



## **1. General Description**

The ADM9513 is an Ethernet/Modem/HomePNA multifunction controller. It is the 2<sup>nd</sup> generation chipset of Centaur-P/C (AN983/985). In addition to all of the original Ethernet functions in Centaur, ADM9513 provides an ISA-like interface for connecting an external modem chipsets.

On the LAN side, the ADM9513's fast Ethernet functions are fully compatible with Centaur. The system design can use the same software design as they did in Centaur with painlessness. On the system bus, the ADM9513 provides a glueless 32-bit PCI/CardBus bus master interface to connect to PCI/mini-PCI/Cardbus. On networking side, the ADM9513 integrates a fast Ethernet MAC controller with CSMA/CD protocol, as well as fast Ethernet PHY for 10BASE-T and 100BASE-TX. The auto-negotiation function is also supported for speed and duplex detection.

To provide modem solution, The ADM9513 provides an ISA-like interface for modem. It can be connect to a wide range of 3<sup>rd</sup> party UART modem chipsets, including controller base and controller-less modems.

To provide the HomePNA solution, the ADM9513 can be programmed as MAC-only controller, and provides the standard IEEE802.3 MII interface to connect to an external PHY. With the MII interface, it can connect to a wide range of 1M or 10M HomePNA MII PHY to provide the home networking solution.

---

ADMtek Incorporated  
1F, No9, Industrial E. 9<sup>th</sup> Road  
Science-Based Industrial Park  
300 Hsinchu, Taiwan, R.O.C.

Version: 1.1

Tel:886-3-5788879 Fax: 886-3-5788871

*ADMtek Incorporated Confidential*

*<http://www.admtek.com.tw>*

# ADMtek Incorporated

## ADM 9513

### LAN/Modem Controller with Embedded Fast Ethernet PHY



## 2. Features

### Industry standard

- ⇒ Integrated IEEE802.3u 100BASE-TX and IEEE802.3 10BASE-T compliant PHY
- ⇒ Support for IEEE802.3x flow control
- ⇒ IEEE802.3u Auto-Negotiation support
- ⇒ Glueless PCI/CardBus bus master interface
- ⇒ ACPI and PCI power management standards compliant
- ⇒ Support PC99 wake on LAN

### FIFO

- ⇒ Provides two independent long FIFOs with 2k bytes each for transmit and receive
- ⇒ Pre-fetch up to two transmit packets to minimize inter frame gap(IFG) to 0.96us
- ⇒ Retransmits collided packet without reload from host memory within 64 bytes.
- ⇒ Automatically retransmits FIFO under-run packet with maximum drain threshold until 3 times retry failure and that will not influence the registers and transmit threshold of next packet

### MAC/Physical

- ⇒ Integrates the whole Physical layer functions of 100BASE-TX and 10BASE-T
- ⇒ Provides an operation mode to isolate its

internal PHY, use the standard IEEE802.3 MII interface to connect to an external PHY. With this mode, ADM9513 can support the HomePNA networking solution.

- ⇒ Provides Full -duplex operation on both 100Mbps and 10Mbps modes
- ⇒ Provides Auto-negotiation(NWAY) function of full/half duplex operation for both 10 and 100 Mbps
- ⇒ Provides transmit wave-shaper, receive filters, and adaptive equalizer
- ⇒ Provides MLT-3 transceiver with DC restoration for Base-line wander compensation
- ⇒ Provides MAC and Transceiver(TXCVR) loop-back modes for diagnostic
- ⇒ Builds in Stream Cipher Scrambler/De-scrambler and 4B/5B encoder/decoder
- ⇒ Supports external transmit transformer with turn ratio 1:1
- ⇒ Supports external receive transformer with turn ratio 1:1

### PCI/Cardbus I/F

- ⇒ Provides 32-bit PCI/Cardbus bus master data transfer
- ⇒ Supports system bus clock with frequency from 0Hz to 33MHz
- ⇒ Supports network operation with PCI/CardBus

ADMtek Incorporated

1F, No9, Industrial E. 9<sup>th</sup> Road

Science-Based Industrial Park

300 Hsinchu, Taiwan, R.O.C.

Version: 1.1

Tel:886-3-5788879 Fax: 886-3-5788871

*ADMtek Incorporated Confidential*

*<http://www.admtek.com.tw>*

# ADMtek Incorporated

## ADM 9513

### LAN/Modem Controller with Embedded Fast Ethernet PHY



system clock from 20MHz to 33MHz

- ⇒ Provides performance meter, PCI/Cardbus bus master latency timer, for tuning the threshold to enhance the performance
- ⇒ Provides burst transmit packet interrupt and transmit/receive early interrupt to reduce host CPU utilization
- ⇒ Supports memory-read, memory-read-line, memory-read-multiple, memory-write, memory-write-and-invalidate command while being bus master
- ⇒ Supports big or little endian byte ordering

#### EEPROM/Boot ROM I/F

- ⇒ Provides write-able Flash ROM and EPROM as boot ROM with size up to 128kB
- ⇒ Provides PCI/Cardbus to access boot ROM by byte, word, or double word
- ⇒ Re-writes Flash boot ROM through I/O port by programming register
- ⇒ Provides serial interface for read/write 93C66 EEPROM
- ⇒ Automatically loads device ID, vendor ID, subsystem ID, subsystem vendor ID, Maximum-Latency, and Minimum-Grand from the 64 byte contents of 93C66 after power-on reset.
- ⇒ CIS data is recalled from 93C66 to ADM9513

internal SRAM to speed up CIS access in CardBus environment.

#### Modem I/F

- ⇒ Provides an 8-bit ISA interface to emulate as an UART modem interface, connect to a third party UART modem chipsets to provide a LAN/Modem combo solution in PCI, CardBus, and Mini-PCI designs

#### LED Display

- ⇒ (1) 3-LED display scheme provides:
  - ◆ 100Mbps(on) or Speed 10(off)
  - ◆ Link(keeps on when link ok) or Activity(will be blinking with 10Hz when receiving or transmitting but not collision)
  - ◆ FD(keeps on when in Full duplex mode) or Collision(will be blinking with 20Hz when colliding)
- (2) 4-LED display scheme provides:
  - ◆ 100Mbps and Link (keep on when link and 100Mbps)
  - ◆ 10Mbps and Link (keep on when link and 10Mbps)
  - ◆ Activity(will be blinking with 10Hz when receiving or transmitting but not collision)

ADMtek Incorporated

1F, No9, Industrial E. 9<sup>th</sup> Road

Science-Based Industrial Park

300 Hsinchu, Taiwan, R.O.C.

Version: 1.1

Tel:886-3-5788879 Fax: 886-3-5788871

*ADMtek Incorporated Confidential*

*<http://www.admtek.com.tw>*



# *ADMtek Incorporated*

## *ADM 9513*

### **LAN/Modem Controller with Embedded Fast Ethernet PHY**



- ◆ FD(keeps on when in Full duplex mode)  
or Collision(will be blinking with 20Hz  
when colliding)

#### **Miscellaneous**

- ⇒ Provides 176-pin LPGA package
- ⇒ 3.3V power supply with 5V/3.3V I/O tolerance

#### **LAN/HPNA Driver Support with Diagnostic function**

- ⇒ Windows Network : NDIS 2, 3, 4, and 5

#### **Modem Driver Support**

- ⇒ Windows network : Windows 98, 2000,  
ME, and Windows NT

#### **Utility**

- ⇒ Boot Rom Program : PXE/RPL Protocol
- ⇒ E<sup>2</sup>PROM burn-in Program
- ⇒ Manufacture Test Program

# ADMtek Incorporated

## ADM 9513

### LAN/Modem Controller with Embedded Fast Ethernet PHY



### 3. Typical Application

The ADM9513 supports Ethernet/Modem/HomePNA combination solution. On Ethernet application, it is a single chip with integrating Ethernet MAC controller and 10/100M Ethernet PHY, provides a glueless interface to system bus and network side. On modem application, the ADM9513 provides an ISA-like interface to connect to a wide range of UART modem engine chipset. On HomePNA application, the ADM9513 provides a standard IEEE802.3 MII interface to connect to an external HomePNA PHY.

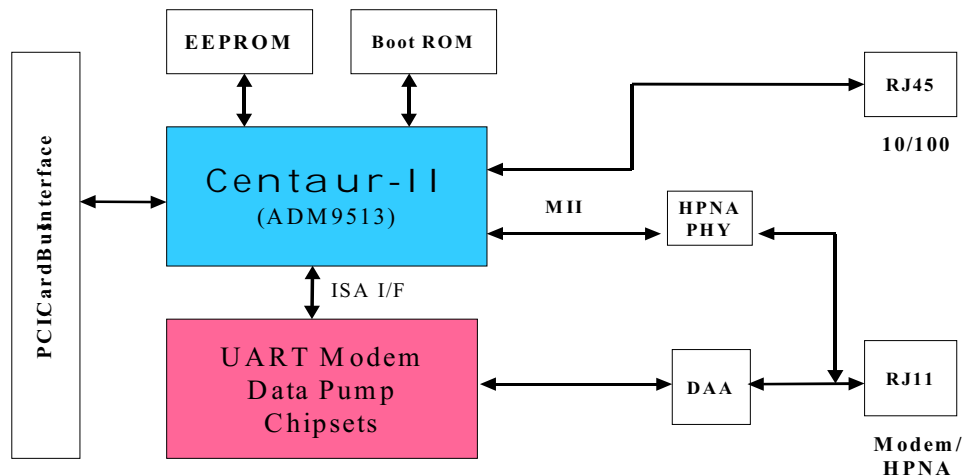


Figure 1 Typical Application

# ADMtek Incorporated

## ADM 9513

### LAN/Modem Controller with Embedded Fast Ethernet PHY



#### 4. Architecture Diagram

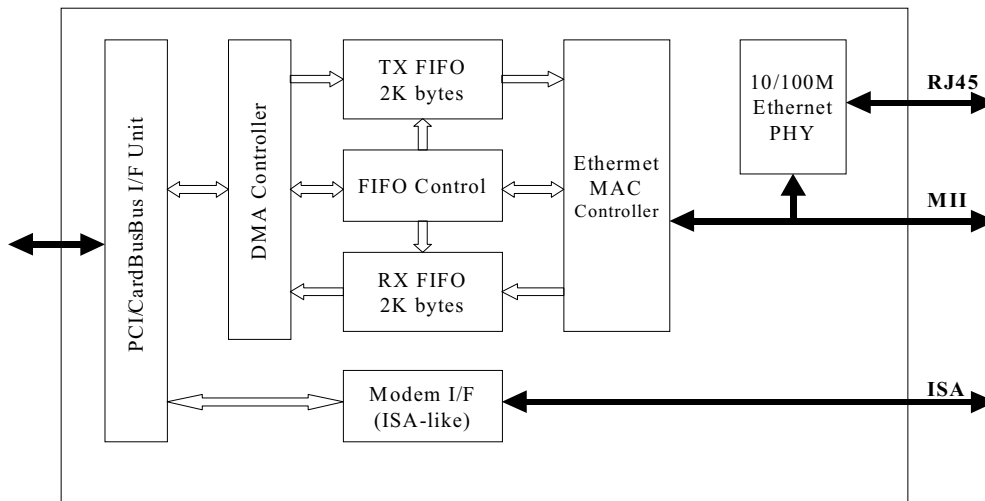


Figure 2 ADM9513 Architectural Block Diagram

# ADMtek Incorporated

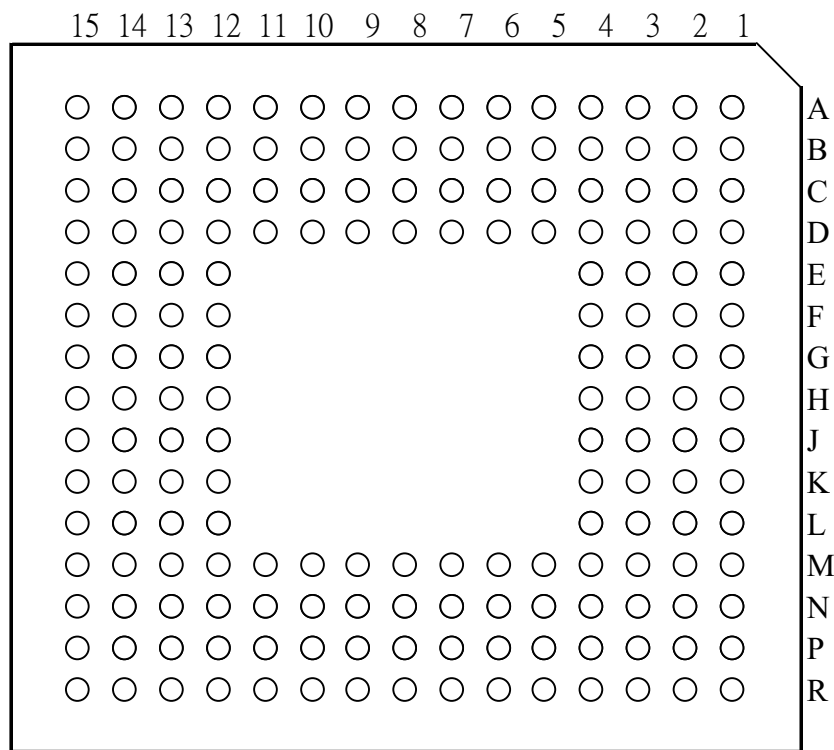
## ADM 9513

LAN/Modem Controller with Embedded Fast Ethernet PHY



### 5. Ball Grid Array Pin Out Diagram

The ADM9513 is a 176-pin LPGA package, the pinout diagram are shown in the following figure.



**BOTTOM VIEW**

**Figure 3 ADM9513 176-pin LPGA pin out diagram**

**ADMtek Incorporated****ADM 9513****LAN/Modem Controller with Embedded Fast Ethernet PHY****6. Pin Assignments**

Pin No.	Name	Pin No.	Name	Pin No.	Name	Pin No.	Name
A1	NC	C15	BrOE#	H12	BrA1/SD1	N2	AD25
A2	NC	D1	RXIP	H13	BrA2/SD2	N3	AD27
A3	MDIO	D2	TST2	H14	VDD	N4	AD21
A4	MDC	D3	GNDR	H15	LED-3	N5	AD18
A5	RXD2	D4	RXD0	J1	REQ#	N6	VDD
A6	RX_DV	D5	RX_ER	J2	PCI_CLK	N7	VSS
A7	VDD	D6	TXD0	J3	VAAR	N8	STOP#
A8	TXD2	D7	COL	J4	INTA#	N9	PERR#
A9	RING	D8	BrA13/SA5	J12	AD0	N10	PAR
A10	VDD	D9	ISA_RST	J13	BrA0/SD0	N11	VSS
A11	BrCS#	D10	VSS	J14	PMEP	N12	AD11
A12	BrD6/EDI	D11	EECS	J15	Vdd_5V_3V	N13	AD8
A13	BrD4/AEN	D12	BrA5/SD5	K1	AD29	N14	CBEZ0
A14	BrD3/CNTSM#	D13	NC	K2	PME#/CSTSCHG	N15	NC
A15	BrD1/IOWN	D14	BrA8/SA0/ISPCI	K3	RST#	P1	AD24
B1	TST3	D15	BrA9/SA1/Vaux	K4	VDD	P2	CBEZ3
B2	VAAR	E1	TST1	K12	AD2	P3	AD22
B3	NC	E2	GNDR	K13	AD1	P4	VSS
B4	RXD3	E3	NC	K14	Vcc_detect	P5	AD16
B5	RX_CLK	E4	TST0	K15	CLKRUN	P6	IRDY#
B6	TX_CLK	E12	NC	L1	VDD	P7	VDD
B7	TXD1	E13	GPIO2	L2	AD30	P8	SERR#
B8	CRS	E14	VSS	L3	GNT#	P9	VSS
B9	BrA14/SA6	E15	BrA7/SD7	L4	AD31	P10	AD13
B10	BrA11/SA3	F1	RIBB	L12	AD5	P11	VDD
B11	VDD	F2	XTLP	L13	AD3	P12	NC
B12	IOCHRDY	F3	VAAR	L14	VSS	P13	VSS
B13	BrD5/EDO	F4	NC	L15	VDD	P14	NC
B14	BrD2/IORN	F12	GPIO1	M1	NC	P15	NC
B15	BrD0	F13	LED-2	M2	AD26	R1	VSS
C1	RXIN	F14	VDD	M3	VSS	R2	IDSEL
C2	NC	F15	VSS	M4	AD28	R3	AD23
C3	RXD1	G1	GNDR	M5	AD20	R4	VDD
C4	VSS	G2	NC	M6	AD17	R5	AD19
C5	TX_EN	G3	TXOP	M7	FRAME#	R6	CBEZ2
C6	TXD3	G4	XTLN	M8	DEVSEL#	R7	TRDY#
C7	HMEM_EN	G12	LED-1	M9	VDD	R8	CBEZ1
C8	BrA15	G13	BrA3/SD3	M10	AD15	R9	AD14

ADMtek Incorporated

1F, No9, Industrial E. 9<sup>th</sup> Road

Science-Based Industrial Park

300 Hsinchu, Taiwan, R.O.C.

Version: 1.1

Tel:886-3-5788879 Fax: 886-3-5788871

ADMtek Incorporated Confidential

<http://www.admtek.com.tw>

# ADMtek Incorporated

## ADM 9513

### LAN/Modem Controller with Embedded Fast Ethernet PHY



C9	BrA12/SA4	G14	BrA16/LED-4	M11	AD12	R10	AD10
C10	HW_INT	G15	BrA4/SD4	M12	AD9	R11	NC
C11	BrA10/SA2	H1	VSS	M13	AD6	R12	NC
C12	BrD7/ECK	H2	VDD	M14	AD4	R13	NC
C13	BrA6/SD6	H3	TXON	M15	AD7	R14	VSS
C14	BrWE#	H4	NC	N1	NC	R15	NC

## 7. Pin Description

Name	Type	Description
<b>● PCI Interface</b>		
INTA#	O/D	PCI interrupt request. ADM9513 asserts this signal when one of the interrupts occurred.
RST#	I	PCI signal to initialize the ADM9513. The active reset signal should be sustained at least 100 $\mu$ s to guarantee that the ADM9513 has completed the initializing activity. During the reset period, all the output pins of ADM9513 will be set to tri-state and all the O/D pins are floated.
PCI_CLK	I	This PCI clock inputs to ADM9513 for PCI relative circuits as the synchronized timing base with PCI bus. The Bus signals are recognized on rising edge of PCI_CLK. In order to let network operating properly, the frequency range of PCI_CLK is limited between 20MHz and 33MHz when network operating.
GNT#	I	PCI Bus Granted. This signal indicates that the bus request of ADM9513 have been accepted.
REQ#	O	PCI Bus Request. Bus master device want to get bus access right
PME# / CSTSCHG	I/O	The Power Management Event signal is an open drain, active low signal for PCI (PME#), active high for CardBus (CSTSCHG).  When bit 18 of CSR18 is set to "1", means that the ADM9513 is set into Wake On LAN mode, or when bit 2 of MCSR1 is set to '1', means that the ADM9513 is set into Wake On Ring mode. In these modes, when the ADM9513 receives a Magic Packet frame from network, or receive a ring detect signal from modem, then the ADM9513 will active this signal too.
AD0-AD31	I/O	Multiplexed address data pins of PCI Bus
CBEZ0-CBEZ3	I/O	Bus command and byte enable
IDSEL	I	Initialization Device Select. This signal is asserted when host issues the configuration cycles to the ADM9513.
FRAME#	I/O	Begin and duration of bus access, driven by master device
IRDY#	I/O	Master device is ready to data transaction
TRDY#	I/O	Slave device is ready to data transaction
DEVSEL#	I/O	Device select, target is driving to indicate the address is decoded

ADMtek Incorporated  
1F, No9, Industrial E. 9<sup>th</sup> Road  
Science-Based Industrial Park  
300 Hsinchu, Taiwan, R.O.C.

Version: 1.1

Tel:886-3-5788879 Fax: 886-3-5788871

ADMtek Incorporated Confidential

<http://www.admtek.com.tw>

# ADMtek Incorporated

## ADM 9513

### LAN/Modem Controller with Embedded Fast Ethernet PHY



STOP#	I/O	Target device request the master device to stop the current transaction
PERR#	I/O	Data parity error is detected, driven by the agent receiving data
SERR#	O/D	Address parity error
PAR	I/O	Parity, even parity (AD[31:0] + CBE[3:0]), master drives par for address and write data phase, target drives par for read data phase
CLKRUN	I/O O/D	Clock Run for PCI system. In the normal operation situation, Host should assert this signal to indicate ADM9513 about the normal situation. On the other hand, when Host will de-assert this signal when the clock is going down to a non-operating frequency. When ADM9513 recognizes the de-asserted status of CLKRUN, then it will assert CLKRUN to request host to maintain the normal clock operation. When CLKRUN function is disabled then the ADM9513 will set CLKRUN in tri-state.
<b>● BootROM/EEPROM Interface</b>		
BrA0 -BrA16	I/O	ROM data bus Provides up to 128kB EPROM or Flash-ROM application space.
BrD0-BrD4	O	BootROM data bus bit (0~7)
BrD5/EDO	O/I	EDO: Data Output of serial EEPROM, Inputs data to ADM9513
BrD6/EDI	O/O	EDI: Data Input of serial EEPROM, ADM9513 outputs data to EEPROM
BrD7/ECK	O/O	ECK: Clock input of serial EEPROM, the ADM9513 outputs clock signal to EEPROM
EECS	O	Chip Select of serial EEPROM
BrCS#	O	BootROM Chip Select
BrOE#	O	BootROM Read Enable for flash ROM application
BrWE#	O	BootROM Write Enable for flash ROM application.
<b>● Hardware Modem Interface</b>		
SA0-SA6	O	Modem address lines. These pins are used as Modem address lines
SD0-SD7	I/O	Modem data Input/Output. These pins are used as Modem data lines
AEN	O	Modem chip select. It is active low.
CNTSM#	O	Modem central site mode. It can be driven low by programming the MCSR1 register.
IORN	O	Modem read enable. It is used to read the Modem data by active low
IOWN	O	Modem write enable. It is used to write the Modem data by active low
ISA_RST	O	Modem reset signal. It is used as Modem reset signal. The active polarity is programmable from CSR29
RING	I	Modem ring detection input. It is used to indicate the telephone ring is detected.
HW_INT	I	Modem interrupt. It is used as Modem interrupt input line.
IOCHRDY	I	ISA IO channel ready. It is used as the ISA IOCHRDY input signal.
HMEM_EN	O	Hardware modem enable. It is active high to enable external Modem function
GPIO1 GPIO2	I/O	General purpose pins
<b>MII Interface</b>		
RXD0-RXD 3	I	MII Receive data
CRS	I	MII carrier sense

ADMtek Incorporated

1F, No9, Industrial E. 9<sup>th</sup> Road

Science-Based Industrial Park

300 Hsinchu, Taiwan, R.O.C.

Tel:886-3-5788879 Fax: 886-3-5788871

ADMtek Incorporated Confidential

<http://www.admtek.com.tw>

Version: 1.1

# ADMtek Incorporated

## ADM 9513

### LAN/Modem Controller with Embedded Fast Ethernet PHY



COL	I	MII collision detection
RX_ER	I	MII Receive data error
RX_DV	I	MII Receive data valid
TX_EN	O	MII Transmit enable
TXD0-TXD3	O	MII Transmit data
TX_CLK	I	MII Transmit clock
RX_CLK	I	MII Receive clock
MDC	O	MII Management data control
MDIO	I/O	MII Management data in/out
<b>● Physical Interface</b>		
XTLN, XTLP	I	Crystal inputs. To be connected to a 25MHz crystal.
RXIN, RXIP	I	The differential receive inputs of 100BASE-TX or 10BASE-T, these pins directly input from Magnetic.
TXOP, TXON	O	The differential Transmit outputs of 100BASE-TX or 10BASE-T, these pins directly output to Magnetic.
RIBB	I	Reference Bias Resistor. To be tied to an external 10.0K (1%) resistor which should be connected to the analog ground at the other end.
TST0-TST3	I	Test pins
<b>● LED display and Miscellaneous</b>		
LED-1	O	There is an internal pull-up resistor 30k.  Led-Act (Led-Lk/Act):  4Leds mode: LED display for Activity status. This pin will be driven on with 10 Hz blinking frequency when either effective receiving or transmitting is detected.  (3Leds mode): LED display for link and activity status. This pin will be driven on continually when a good Link test is detected. This pin will be driven on with 10 Hz blinking frequency when either effective receiving or transmitting is detected.
LED-2	O	There is an internal pull-up resistor 30k.  Led-10Lnk (Led-fd/col):  4Leds mode: LED display for 10M b/s speed. This pin will be driven on continually when the 10M b/s network operating speed is detected.  (3Leds mode): LED display for Full Duplex or Collision status. This pin will be driven on continually when a full duplex configuration is detected. This pin will be driven on with 20 Hz blinking frequency when a collision status is detected in the half duplex

ADMtek Incorporated  
1F, No9, Industrial E. 9<sup>th</sup> Road  
Science-Based Industrial Park  
300 Hsinchu, Taiwan, R.O.C.

Version: 1.1

Tel:886-3-5788879 Fax: 886-3-5788871

*ADMtek Incorporated Confidential*

<http://www.admtek.com.tw>



# ADMtek Incorporated

## ADM 9513

### LAN/Modem Controller with Embedded Fast Ethernet PHY



		configuration.
LED-3	O	There is an internal pull-up resistor 30k. Led-100Lnk (Led-speed): 4Leds mode: LED display for 100Mb/s speed. This pin will be driven on continually when the 100Mb/s network operating speed is detected. (3Leds mode): LED display for 100M b/s or 10M b/s speed. This pin will be driven on continually when the 100M b/s network operating speed is detected.
LED-4	O	There is an internal pull-up resistor 30k. Led-Fd/Col (None) 4Leds mode: LED display for Full Duplex or Collision status. This pin will be driven on continually when a full duplex configuration is detected. This pin will be driven on with 20 Hz blinking frequency when a collision status is detected in the half duplex configuration. (3Leds mode): None
Vaux	I	Reset latched signal , multiplex with BrA9 This pin should be pull-up by resistor 4.7k When this pin is asserted, it indicates an auxiliary power source is supported ACPI purpose , for detecting the auxiliary power source . This pin should be or-wired connected to 1) 3.3V when 3.3Vaux support , or 2) 5V when 5Vaux support from 3-way switch.
Vcc_detect	I	When this pin is asserted, it indicates PCI power source is supported. ACPI purpose , for detecting the main power is remained or not , this pin should be connected by a resistor 680 ohm to PCI bus power source +5V.
Vdd_5V_3V	I(A)	Analogue input pin voltage reference level for 3v/5v tolerance i/o cell. The voltage of this pin depends on what kind of bus(PCI or Cardbus.) connected. i.e. PCI (5V) 1) 5V when main power exists or 2) 3.3V when 3.3Vaux support (PCI 2.2 , D3cold , no 5V power source) , or 3) 5V when 5Vaux support from 3-way switch. (D3cold mode)
ISPCI	I	Reset latched signal , multiplex with BrA8 1: Put ADM9513 on PCI mode ; pull-up a resistor 4.7k to +3.3V 0 :Put ADM9513 on Cardbus mode; pull-down a resistor 4.7k to ground
PMEP	O	This signal is used as the WOL pin. It provided a programmable positive or negative pulse with approximately 50ms width.
<b>● Digital Power Pins</b>		
VDD		Digital power supply, connect to +3.3V
VSS		Digital ground

ADMtek Incorporated  
1F, No9, Industrial E. 9<sup>th</sup> Road  
Science-Based Industrial Park  
300 Hsinchu, Taiwan, R.O.C.

Version: 1.1

Tel:886-3-5788879 Fax: 886-3-5788871

ADMtek Incorporated Confidential

<http://www.admtek.com.tw>

***ADMtek Incorporated******ADM 9513*****LAN/Modem Controller with Embedded Fast Ethernet PHY**

---

● Analog Power Pins		
VAAR		Analog power supply, connect to +3.3V
GNDR		Analog ground

# ADMtek Incorporated

## ADM 9513

### LAN/Modem Controller with Embedded Fast Ethernet PHY



## 8. Registers and Descriptors Description

### 8.1. PCI/CardBus Configuration Registers

#### 8.1.1. Function 0: Ethernet PCI Configuration Registers

With the configuration registers, software driver can initialize and configure ADM9513. All of the contents of configuration registers are set to default value when there is any hardware reset occurs. On the other hand, there is no effect to their value when the software reset occurs. To access these configuration registers ADM9513 provides byte, word, and double word data access length.

##### 8.1.1.1. Ethernet PCI configuration registers list

Offset	Index	Name	Descriptions
00h	CR0	LID	Loaded device ID and vendor ID
04h	CR1	CSC	Configuration Status and Command
08h	CR2	CC	Class Code and revision number
0ch	CR3	LT	Latency Timer
10h	CR4	IOBA	IO Base Address
14h	CR5	MBA	Memory Base Address
28h	CR10	CIS	Card Information Structure(for Card bus)
2ch	CR11	SID	Subsystem ID and vendor ID
30h	CR12	BRBA	Boot ROM Base Address (ROM size = 128KB)
34h	CR13	CP	Capability Pointer
3ch	CR15	CINT	Configuration Interrupt
40h	CR16	DS	driver space for special purpose
80h	CR32	SIG	Signature of ADM9513
c0h	CR48	PMR0	Power Management Register 0
c4h	CR49	PMR1	Power Management Register 1

**ADMtek Incorporated****ADM 9513****LAN/Modem Controller with Embedded Fast Ethernet PHY****8.1.1.2. Ethernet PCI configuration registers table**

Offset	b31	-----	b16	b15	-----	b0
00h	Device ID*			Vendor ID*		
04h	Status			Command		
08h	Base Class Code	Subclass		-----	Revision #	Step #
0ch	-----	Header Type		Latency Timer	Cache Line Size	
10h	Base I/O address					
14h	Base memory address					
18h~ 24h	Reserved					
28h	ROM-im*	Address space offset*			Add-indi*	
2ch	Subsystem ID*			Subsystem vendor ID*		
30h	Boot ROM base address					
34h	Reserved				Cap_Ptr	
38h	Reserved					
3ch	Max_Lat*	Min_Gnt*		Interrupt pin	Interrupt line	
40h	Reserved			Driver Space	Reserved	
80h	Signature of ADM9513					
c0h	PMC			Next_Item_Ptr	Cap_ID	
c4h	-----	Data register		PMCSR		

Note: \* : automatically recalled from EEPROM when PCI reset is deserted

**CIS(28h) is a read-only register**

**DS(40h), bit15-8 is read/write able register**

**SIG(80h) is hard wired register, read only.**

# ADMtek Incorporated

## ADM 9513

### LAN/Modem Controller with Embedded Fast Ethernet PHY



#### 8.1.1.3. Ethernet PCI configuration registers description

##### CR0 (offset = 00h), LID - Loaded Identification number of Device and Vendor

Bit #	Name	Descriptions	Default Val	RW Type
31~16	LDID	Loaded Device ID, the device ID number loaded from serial EEPROM.	From EEPROM	R/O
15~0	LVID	Loaded Vendor ID, the vendor ID number loaded from serial EEPROM.	From EEPROM	R/O

From EEPROM: Loaded from EEPROM

##### CR1 (offset = 04h), CSC - Configuration command and status

Bit #	Name	Descriptions	Default Val	RW Type
31	SPE	Status of Parity Error. 1: means that ADM9513 detected a parity error. This bit will be set in this condition, even if the parity error response (bit 6 of CR1) is disabled.	0	R/W
30	SES	Status of System Error. 1: means that ADM9513 asserted the system error pin.	0	R/W
29	SMA	Status of Master Abort. 1: means that ADM9513 received a master abort and terminated a master transaction.	0	R/W
28	STA	Status of Target Abort. 1: means that ADM9513 received a target abort and terminated a master transaction.	0	R/W
27	---	Reserved		
26, 25	SDST	Status of Device Select Timing. The timing of the assertion of device select. 01: means a medium assertion of DEVSEL#	01	R/O
24	SDPR	Status of Data Parity Report. 1: when three conditions are met: a. ADM9513 asserted parity error - PERR# or it detected parity error asserted by other device. b. ADM9513 is operating as a bus master. c. ADM9513's parity error response bit (bit 6 of CR1) is enabled.	0	R/W
23	SFBB	Status of Fast Back-to-Back Always 1, since ADM9513 has the ability to accept fast back to back transactions.	1	R/O

ADMtek Incorporated  
1F, No9, Industrial E. 9<sup>th</sup> Road  
Science-Based Industrial Park  
300 Hsinchu, Taiwan, R.O.C.

Version: 1.1

Tel:886-3-5788879 Fax: 886-3-5788871

ADMtek Incorporated Confidential

<http://www.admtek.com.tw>

# ADMtek Incorporated

## ADM 9513

### LAN/Modem Controller with Embedded Fast Ethernet PHY



22~21	---	Reserved		
20	NC	New Capabilities. This bit indicates that whether the ADM9513 provides a list of extended capabilities, such as PCI power management. 1: the ADM9513 provides the PCI management function 0: the ADM9513 doesn't provide New Capabilities.	Same as bit 19 of CSR18	RO
19~ 9	---	Reserved		
8	CSE	Command of System Error Response 1: enable system error response. ADM9513 will assert SERR# when it finds a parity error on the address phase.	0	R/W
7	---	Reserved		
6	CPE	Command of Parity Error Response 0: disable parity error response. ADM9513 will ignore any detected parity error and keep on its operating. Default value is 0. 1: enable parity error response. ADM9513 will assert system error (bit 13 of CSR5) when a parity error is detected.	0	R/W
5~ 3	---	Reserved		
2	CMO	Command of Master Operation Ability 0: disable the bus master ability. 1: enable the PCI bus master ability. Default value is 1 for normal operation.	0	R/W
1	CMSA	Command of Memory Space Access 0: disable the memory space access ability. 1: enable the memory space access ability.	0	R/W
0	CIOSA	Command of I/O Space Access 0: enable the I/O space access ability. 1: disable the I/O space access ability.	0	R/W

R/W: Read and Write able. RO: Read able only.

#### CR2 (offset = 08h), CC - Class Code and Revision Number

Bit #	Name	Descriptions	Default Val	R/W Type
31~24	BCC	Base Class Code. It means ADM9513 is network controller.	02h	RO
23~16	SC	Subclass Code. It means ADM9513 is a Fast Ethernet Controller.	00h	RO
15~ 8	---	Reserved		
7 ~ 4	RN	Revision Number, identifies the revision number of	TBD	RO

ADMtek Incorporated  
1F, No9, Industrial E. 9<sup>th</sup> Road  
Science-Based Industrial Park  
300 Hsinchu, Taiwan, R.O.C.

Version: 1.1

Tel:886-3-5788879 Fax: 886-3-5788871

ADMtek Incorporated Confidential

<http://www.admtek.com.tw>

**ADMtek Incorporated****ADM 9513****LAN/Modem Controller with Embedded Fast Ethernet PHY**

		ADM9513.		
3 ~ 0	SN	Step Number, identifies the ADM9513 steps within the current revision.	TBD	RO

RO: Read Only.

**CR3 (offset = 0ch), LT - Latency Timer**

Bit #	Name	Descriptions	Default Val	RW Type
31~24	----	Reserved		
23~16	HT	The value is depended on the modem enable/disable status that read from EEPROM. If modem function is enabled, the HT value is 80h, else, the HT value is 00h.  A value of 80h to indicate ADM9513 is a multiple function device for a combination of Ethernet and modem card. The OS will read the modem configuration registers at offset 100h	From EEPROM	RO
15~ 8	LT	Latency Timer. This value specifies the latency timer of the ADM9513 in units of PCI bus clock. Once the device asserts FRAME#, the latency timer starts to count. If the latency timer expires and the device still asserted FRAME#, then the device will terminate the data transaction as soon as its GNT# is removed.	0	R/W
7 ~ 0	CLS	Cache Line Size. This value specifies the system cache line size in units of 32-bit double words (DW). The ADM9511 supports 8, 16, and 32 DW of cache line size. This value is used by the ADM9513 driver to program the cache alignment bits(bit 14 and 15 of CSR0). The cache alignment bits are used for cache oriented PCI commands, say memory-read-line, memory-read-multiple, and memory-write-and-invalidate.	0	R/W

**CR4 (offset = 10h), IOBA - I/O Base Address**

Bit #	Name	Descriptions	Default Val	RW Type
31~ 8	IOBA	I/O Base Address. This value indicate the base address of PCI control and status register(CSR0~34)	0	R/W
7 ~ 1	---	Reserved		

ADMtek Incorporated  
 1F, No9, Industrial E. 9<sup>th</sup> Road  
 Science-Based Industrial Park  
 300 Hsinchu, Taiwan, R.O.C.

Version: 1.1

Tel:886-3-5788879 Fax: 886-3-5788871

*ADMtek Incorporated Confidential**<http://www.admtek.com.tw>*

# ADMtek Incorporated

## ADM 9513

### LAN/Modem Controller with Embedded Fast Ethernet PHY



0	IOSI	I/O Space Indicator. 1: means that the configuration registers map into the I/O space.	1	RO
---	------	---	---	----

#### CR5 (offset = 14h), MBA - Memory Base Address

Bit #	Name	Descriptions	Default Val	RW Type
31~ 10	MBA	Memory Base Address. This value indicate the base address of PCI control and status register (CSR0~35)	0	R/W
9 ~ 1	---	Reserved		
0	IOSI	Memory Space Indicator. 0: means that the configuration registers map into the memory space.	0	RO

#### CR10 (offset = 28h), CIS - Card Information Structure

This register is used to point one of the possible address spaces where the CIS begins. This register is designed for PCI environment. It's data is auto-loaded from the serial EEPROM after power on or hardware reset.

Bit #	Name	Descriptions	Default Val	RW Type
31~28	RI	ROM Image. This ROM image value is applied when the CIS is stored in a boot ROM. This value is loaded from serial EEPROM.	From EEPROM	RO
27~ 3	ASO	Address Space Offset. This value indicates the offset within the address space. The address space is specified by address space indicator(bit 2~0 of CR10).	From EEPROM	RO
2 ~ 0	ASI	Address Space Indicator. This value indicates the location where the CIS address space begins. 7: means that the CIS begins in the boot ROM space. Other than 7: makes all the bits of CIS reset to 0.	From EEPROM	RO

#### CR11 (offset = 2ch), SID - Subsystem ID.

Bit #	Name	Descriptions	Default Val	RW Type
31~16	SID	Subsystem ID. This value is loaded from EEPROM after	From	RO

ADMtek Incorporated  
1F, No9, Industrial E. 9<sup>th</sup> Road  
Science-Based Industrial Park  
300 Hsinchu, Taiwan, R.O.C.

Version: 1.1

Tel:886-3-5788879 Fax: 886-3-5788871

ADMtek Incorporated Confidential

<http://www.admtek.com.tw>



**ADMtek Incorporated****ADM 9513****LAN/Modem Controller with Embedded Fast Ethernet PHY**

		power on or hardware reset.	EEPROM	
15~0	SVID	Subsystem Vendor ID. This value is loaded from EEPROM after power on or hardware reset.	From EEPROM	RO

**CR12 (offset = 30h), BRBA - Boot ROM Base Address.**

This register should be initialized before accessing the boot ROM space. (write 32'hffffff return 32'h fffe0001)

Bit #	Name	Descriptions	Default Val	RW Type
31~17	BRBA	Boot ROM Base Address. This value indicates the address mapping of boot ROM field. Besides, it also defines the boot ROM size. The value of bit 17~10 is set to 0 for ADM9513 supports up to 128kB of boot ROM.	X: b31~18 0: b17~10	R/W
16 ~ 1	---	Reserved	0	
0	BRE	Boot ROM Enable. The ADM9513 really enables its boot ROM access only if both the memory space access bit(bit 1 of CR1) and this bit are set to 1.  1: enable Boot ROM. (Combines with bit 1 of CR1) 0: disable Boot ROM.  After Boot ROM is accessed completely, this bit should be reset to enable modem interface	0 from eeprom	R/W

**CR13 (offset = 34h), CP - Capabilities Pointer.**

Bit #	Name	Descriptions	Default Val	RW Type
31~8	---	Reserved		
7~0	CP	Capabilities Pointer.	C0h	RO

**CR15 (offset = 3ch), CINT - Configuration Interrupt**

Bit #	Name	Descriptions	Default Val	RW Type
31~24	ML	Max_Lat register. This value indicates "how often" the ADM9513 needs to access to the PCI bus in the units of 250ns. This value is loaded from serial EEPROM after power on or hardware reset.	From EEPROM	RO

ADMtek Incorporated  
1F, No9, Industrial E. 9<sup>th</sup> Road  
Science-Based Industrial Park  
300 Hsinchu, Taiwan, R.O.C.

Version: 1.1

Tel:886-3-5788879 Fax: 886-3-5788871

*ADMtek Incorporated Confidential**<http://www.admtek.com.tw>*

**ADMtek Incorporated****ADM 9513****LAN/Modem Controller with Embedded Fast Ethernet PHY**

23~16	MG	Min_Gnt register. This value indicates “how long” the ADM9513 needs to retain the PCI bus ownership whenever it initiates a transaction in the units of 250ns. This value is loaded from serial EEPROM after power on or hardware reset.	From EEPROM	RO
15~ 8	IP	Interrupt Pin. This value indicates which of the four interrupt request pins that ADM9513 is connected.  Always 01h: means the ADM9513 connects to INTA#	01h	RO
7 ~ 0	IL	Interrupt Line. This value indicates which of the system interrupt request lines the INTA# of ADM9513 is routed to. The BIOS will fill this field when it initializes and configures the system. The ADM9513 driver can use this value to determine priority and vector information.	X	R/W

**CR16 (offset = 40h), DS - Driver Space for special purpose.**

Bit #	Name	Descriptions	Default Val	RW Type
31~16	---	reserved		
15~8	DS	Driver Space for special purpose. Since this area won't be cleared in the software reset. The ADM9513 driver can use this R/W area for special purpose.	X	R/W
7 ~ 0	---	Reserved		

**CR32 (offset = 80h), SIG - Signature of ADM9513**

Bit #	Name	Descriptions	Default Val	RW Type
31~16	DID	Device ID, the device ID number of ADM9513.	6985h	RO
15~0	VID	Vendor ID, the vendor ID number of ADM Technology Corp.	1317h	RO

**CR48 (offset = c0h), PMR0, Power Management Register0.**

Bit #	Name	Descriptions	Default Val	RW Type
31~27	PMES	PME_Support.  The ADM9513 will assert PME#/CSTSCHG signal while in the D0, D1, D2, D3hot power state. The ADM9513	11111b	RO

ADMtek Incorporated  
1F, No9, Industrial E. 9<sup>th</sup> Road  
Science-Based Industrial Park  
300 Hsinchu, Taiwan, R.O.C.

Version: 1.1

Tel:886-3-5788879 Fax: 886-3-5788871

*ADMtek Incorporated Confidential**<http://www.admtek.com.tw>*

# ADMtek Incorporated

## ADM 9513

### LAN/Modem Controller with Embedded Fast Ethernet PHY



		supports Wake-up from the above four states.		
26	D2S	D2_Support. The ADM9513 supports D2 Power Management State.	1	RO
25	D1S	D1_Support. The ADM9513 supports D1 Power Management State.	1	RO
24~22	AUXC	Aux. Current. These three bits report the maximum 3.3 Vaux current requirements for ADM9513. If bit 31 of PMR0 is '1', the default value is 0101b, means ADM9513 need 100 mA to support remote wake-up in D3cold power state.	010b	RO
21	DSI	The Device Specific Initialization bit indicates whether special initialization of this function is required before the generic class device driver is able to use it.  0: indicates that the function does not require a device specific initialization sequence following transition to the D0 un-initialized state.	0	RO
20	---	Reserved.	0	RO
19	PMEC	PME Clock. When "1" indicates that the ADM9513 relies on the presence of the PCI clock for PME#/CSTSCHG operation. While "0" indicates the no PCI clock is required for the ADM9513 to generate PME#/CSTSCHG.	0	RO
18~16	VER	Version. The value of <u>010b</u> indicates that the ADM9513 complies with Revision <u>1.1</u> of the PCI Power Management Interface Specification.	<u>010b</u>	RO
15~8	NIP	Next Item Pointer. This value is always 0h, indicates that there is no additional items in the Capabilities List.	00h	RO
7~0	CAPID	Capability Identifier. This value is always 01h, indicates the link list item as being PCI Power Management Registers.	01h	RO

#### CR49 (offset = c4h), PMR1, Power Management Register 1.

Bit #	Name	Descriptions	Default Val	RW Type
31~24	DR	Data register. This register is used to report the state dependent data requested by the data_select field. The value of this register is scaled by the value reported by the data_scale filed	From EEPROM	RO

ADMtek Incorporated  
1F, No9, Industrial E. 9<sup>th</sup> Road  
Science-Based Industrial Park  
300 Hsinchu, Taiwan, R.O.C.

Version: 1.1

Tel:886-3-5788879 Fax: 886-3-5788871

ADMtek Incorporated Confidential

<http://www.admtek.com.tw>

# ADMtek Incorporated

## ADM 9513

### LAN/Modem Controller with Embedded Fast Ethernet PHY



23~16	-----	Reserved	8'b0	RO
15	PMES	PME_Status, This bit is set when the ADM9513 would normally assert the PME#/CSTSCHG signal for wake-up event, this bit is independent of the state of the PME-En bit. Writing a "1" to this bit will clear it and cause the ADM9513 to stop asserting a PME#/CSTSCHG (if enabled). Writing a "0" has no effect.	0	R/W*
14,13	DSCAL	Data_Scale, indicates the scaling factor to be used when interpreting the value of the Data register.	0	RO
12~9	DSEL	Data_Select, This four bit field is used to select which data is to be reported through the Data register and Data_Scale field.	0	R/W
8	PME_En	PME_En, "1" enables the ADM9513 to assert PME#/CSTSCHG. When "0" disables the PME#/CSTSCHG assertion. Magic packet default enable: When CSR18<18> and CSR18<19> are set to 1, then the magic packet wake up event will be default enabled (CSR13<9> be set), it doesn't matter the PME_En is set or not.	0	R/W
7~2	---	Reserved	6'b000000	RO
1,0	PWRS	Power State. This two-bit field is used both to determine the current power state of the ADM9513 and to set the ADM9513 into a new power state. The definition of this field is given below. 00b - D0 01b - D1 10b - D2 11b - D3hot This field is auto cleared to D0 when power resumed .	00b	R/W

R/W\*: Read and Write clear

#### Ethernet data register :

Data select	Data scale	Value	Data reported
0	2	TBD	D0 power consumption
1	2	TBD	D1 power consumption
2	2	TBD	D2 power consumption
3	2	TBD	D3 power consumption
4	2	TBD	D0 power dissipated
5	2	TBD	D1 power dissipated
6	2	TBD	D2 power dissipated

ADMtek Incorporated  
1F, No9, Industrial E. 9<sup>th</sup> Road  
Science-Based Industrial Park  
300 Hsinchu, Taiwan, R.O.C.

Version: 1.1

Tel:886-3-5788879 Fax: 886-3-5788871

ADMtek Incorporated Confidential

<http://www.admtek.com.tw>

***ADMtek Incorporated******ADM 9513*****LAN/Modem Controller with Embedded Fast Ethernet PHY**

---

7	2	TBD	D3 power dissipated
8	2	TBD	Common function power dissipated
9-15	2	TBD	Reserved

# ADMtek Incorporated

## ADM 9513

### LAN/Modem Controller with Embedded Fast Ethernet PHY



#### 8.1.2. Function 1: Modem PCI Configuration Registers

The AD9513 supports a dual function device: LAN/Modem. The modem is defined as function 1. The modem configuration registers are located at offset 100h. With the configuration registers, software driver can initialize and configure ADM9513 modem function. All the contents of configuration registers are set to default values when there is any hardware reset occurs. On the other hand, there is no effect to their value when the software reset occurs. To access these configuration registers ADM9513 provides byte, word, and double word data access length.

##### 8.1.2.1. Modem PCI configuration registers list

Offset	Index	Name	Descriptions
100h	MCR0	LID	Loaded device ID and vendor ID
104h	MCR1	CSC	Configuration Status and Command
108h	MCR2	CC	Class Code and revision number
10ch	MCR3	LT	Latency Timer
110h	MCR4	IOBA	IO Base Address
114h	MCR5	MBA	Memory Base Address
128h	MCR10	CIS	Card Information Structure(for Card bus)
12ch	MCR11	SID	Subsystem ID and vendor ID
130h	MCR12	BRBA	Boot ROM Base Address
134h	MCR13	CP	Capability Pointer
13ch	MCR15	CINT	Configuration Interrupt
140h	MCR16	DS	driver space for special purpose
180h	MCR32	SIG	Signature of ADM9513
1c0h	MCR48	PMR0	Power Management Register 0
1c4h	MCR49	PMR1	Power Management Register 1

**ADMtek Incorporated****ADM 9513****LAN/Modem Controller with Embedded Fast Ethernet PHY****8.1.2.2. Modem PCI configuration registers table**

Offset	b31	-----	b16	b15	-----	b0
100h	Device ID*			Vendor ID*		
104h	Status			Command		
108h	Base Class Code	Subclass		PI	Revision #	Step #
10ch	-----	Header Type		Latency Timer	Cache Line Size	
110h	Base I/O address					
114h	Base memory address					
118h~ 124h	Reserved					
128h	ROM-im*	Address space offset*			Add-indi*	
12ch	Subsystem ID*			Subsystem vendor ID*		
130h	Boot ROM base address					
134h	Reserved				Cap_Ptr	
138h	Reserved					
13ch	Max_Lat*	Min_Gnt*		Interrupt pin	Interrupt line	
140h	Reserved			Driver Space	Reserved	
180h	Signature of ADM9513					
1c0h	PMC			Next_Item_Ptr	Cap_ID	
1c4h	-----	Data register		PMCSR		

Note: \*: automatically recalled from EEPROM when PCI reset is deserted

**CIS (128h) is a read-only register**

**DS (140h), bit15-8 is read/write able register**

**SIG (180h) is hard wired register, read only.**

# ADMtek Incorporated

## ADM 9513

### LAN/Modem Controller with Embedded Fast Ethernet PHY



#### 8.1.2.3. Modem PCI configuration registers description

##### MCR0 (offset = 100h), LID - Loaded Identification number of Device and Vendor

Bit #	Name	Descriptions	Default Val	RW Type
31~16	DID	Loaded Device ID, the device ID number loaded from serial EEPROM.	From EEPROM	R/O
15~0	VID	Loaded Vendor ID, the vendor ID number loaded from serial EEPROM.	From EEPROM	R/O

From EEPROM: Loaded from EEPROM

##### MCR1 (offset = 104h), CSC - Configuration command and status

Bit #	Name	Descriptions	Default Val	RW Type
31	SPE	Status of Parity Error. 1: means that ADM9513 detected a parity error. This bit will be set in this condition, even if the parity error response (bit 6 of MCR1) is disabled.	0	R/W
30	SES	Status of System Error. 1: means that ADM9513 asserted the system error pin.	0	R/W
29	SMA	Status of Master Abort. 1: means that ADM9513 received a master abort and terminated a master transaction.	0	R/W
28	STA	Status of Target Abort. 1: means that ADM9513 received a target abort and terminated a master transaction.	0	R/W
27	---	Reserved		
26, 25	SDST	Status of Device Select Timing. The timing of the assertion of device select. 01: means a medium assertion of DEVSEL#	01	R/O
24	SDPR	Status of Data Parity Report. 1: when three conditions are met: d. ADM9513 asserted parity error - PERR# or it detected parity error asserted by other device. e. ADM9513 is operating as a bus master. f. ADM9513's parity error response bit(bit 6 of MCR1) is enabled.	0	R/W
23	SFBB	Status of Fast Back-to-Back Always 1, since ADM9513 has the ability to accept fast back to back transactions.	1	R/O
22~21	---	Reserved		

ADMtek Incorporated  
1F, No9, Industrial E. 9<sup>th</sup> Road  
Science-Based Industrial Park  
300 Hsinchu, Taiwan, R.O.C.

Version: 1.1

Tel:886-3-5788879 Fax: 886-3-5788871

*ADMtek Incorporated Confidential*

*<http://www.admtek.com.tw>*



# ADMtek Incorporated

## ADM 9513

### LAN/Modem Controller with Embedded Fast Ethernet PHY



20	NC	New Capabilities. This bit indicates that whether the ADM9513 provides a list of extended capabilities, such as PCI power management. 1: the ADM9513 provides the PCI management function 0: the ADM9513 doesn't provide New Capabilities.	Same as bit 19 of CSR18	RO
19~ 9	---	Reserved		
8	CSE	Command of System Error Response 1: enable system error response. ADM9513 will assert SERR# when it finds a parity error on the address phase.	0	R/W
7	---	Reserved		
6	CPE	Command of Parity Error Response 0: disable parity error response. ADM9513 will ignore any detected parity error and keep on its operating. Default value is 0. 1: enable parity error response. ADM9513 will assert system error (bit 13 of CSR5) when a parity error is detected.	0	R/W
5~ 3	---	Reserved		
2	CMO	Command of Master Operation Ability 0: disable the bus master ability. 1: enable the PCI bus master ability. Default value is 1 for normal operation.	0	R/W
1	CMSA	Command of Memory Space Access 0: disable the memory space access ability. 1: enable the memory space access ability.	0	R/W
0	CIOSA	Command of I/O Space Access 0: enable the I/O space access ability. 1: disable the I/O space access ability.	0	R/W

R/W: Read and Write able. RO: Read able only.

#### MCR2 (offset = 108h), CC - Class Code and Revision Number

Bit #	Name	Descriptions	Default Val	R/W Type
31~24	BCC	Base Class Code. It means the second function is a simple communication device.	07h	RO
23~16	SC	Subclass Code. It means the second function is a modem device.	00h	RO
15~ 8	---	Reserved		
7 ~ 4	RN	Revision Number, identifies the revision number of modem	From	RO

ADMtek Incorporated  
1F, No9, Industrial E. 9<sup>th</sup> Road  
Science-Based Industrial Park  
300 Hsinchu, Taiwan, R.O.C.

Version: 1.1

Tel:886-3-5788879 Fax: 886-3-5788871

ADMtek Incorporated Confidential

<http://www.admtek.com.tw>

**ADMtek Incorporated****ADM 9513****LAN/Modem Controller with Embedded Fast Ethernet PHY**

		device	EEPROM	
3 ~ 0	SN	Step Number, identifies the steps within the current revision.	From EEPROM	RO

RO: Read Only.

**MCR3 (offset = 10ch), LT - Latency Timer**

Bit #	Name	Descriptions	Default Val	RW Type
31~24	----	reserved		
23~16	HT	A value of 80h to indicate ADM9513 is a multiple function device for a combination of Ethernet and modem card.	80h	RO
15~ 8	LT	Latency Timer. This value specifies the latency timer of the ADM9513 in units of PCI bus clock. Once the device asserts FRAME#, the latency timer starts to count. If the latency timer expires and the device still asserted FRAME#, then the device will terminate the data transaction as soon as its GNT# is removed.	0	R/W
7 ~ 0	CLS	Cache Line Size. This value specifies the system cache line size in units of 32-bit double words (DW). The ADM9511 supports 8, 16, and 32 DW of cache line size. This value is used by the ADM9513 driver to program the cache alignment bits(bit 14 and 15 of CSR0). The cache alignment bits are used for cache oriented PCI commands, say memory-read-line, memory-read-multiple, and memory-write-and-invalidate.	0	R/W

**MCR4 (offset = 110h), IOBA - I/O Base Address**

Bit #	Name	Descriptions	Default Val	RW Type
31~ 8	IOBA	I/O Base Address. This value indicate the base address of modem control and status registers (MCSR registers)	0	R/W
7 ~ 1	---	Reserved		
0	IOSI	I/O Space Indicator. 1: means that the configuration registers map into the I/O space.	1	RO

ADMtek Incorporated  
 1F, No9, Industrial E. 9<sup>th</sup> Road  
 Science-Based Industrial Park  
 300 Hsinchu, Taiwan, R.O.C.

Version: 1.1

Tel:886-3-5788879 Fax: 886-3-5788871

ADMtek Incorporated Confidential

<http://www.admtek.com.tw>

**ADMtek Incorporated****ADM 9513****LAN/Modem Controller with Embedded Fast Ethernet PHY****MCR5 (offset = 14h), MBA - Memory Base Address**

Bit #	Name	Descriptions	Default Val	RW Type
31~ 10	MBA	Memory Base Address. This value indicate the base address of PCI control and status register(MCSR registers)	0	R/W
9 ~ 1	---	Reserved		
0	IOSI	Memory Space Indicator. 0: means that the configuration registers map into the memory space.	0	RO

**MCR10 (offset = 28h), CIS - Card Information Structure**

**This register is used to point one of the possible address spaces where the CIS begins. This register is designed for PCI environment. It's data is auto-loaded from the serial EEPROM after power on or hardware reset.**

Bit #	Name	Descriptions	Default Val	RW Type
31~28	RI	ROM Image. This ROM image value is applied when the CIS is stored in a boot ROM. This value is loaded from serial EEPROM.	From EEPROM	RO
27~ 3	ASO	Address Space Offset. This value indicates the offset within the address space. The address space is specified by address space indicator(bit 2~0 of MCR10).	From EEPROM	RO
2 ~ 0	ASI	Address Space Indicator. This value indicates the location where the CIS address space begins. 7: means that the CIS begins in the boot ROM space. Other than 7: makes all the bits of CIS reset to 0.	From EEPROM	RO

**MCR11 (offset = 12ch), SID - Subsystem ID.**

Bit #	Name	Descriptions	Default Val	RW Type
31~16	SID	Subsystem ID. This value is loaded from EEPROM after power on or hardware reset.	From EEPROM	RO
15~ 0	SVID	Subsystem Vendor ID. This value is loaded from EEPROM after power on or hardware reset.	From EEPROM	RO

# ADMtek Incorporated

## ADM 9513

### LAN/Modem Controller with Embedded Fast Ethernet PHY



#### MCR12 (offset = 130h), BRBA - Boot ROM Base Address.

This register should be initialized before accessing the boot ROM space. (write 32'h ffffffff return 32'h fffe0001)

Bit #	Name	Descriptions	Default Val	RW Type
31~17	BRBA	Boot ROM Base Address. This value indicates the address mapping of boot ROM field. Besides, it also defines the boot ROM size. The value of bit 17~10 is set to 0 for ADM9513 supports up to 128kB of boot ROM.	X: b31~18 0: b17~10	R/W
16 ~ 1	---	reserved	0	
0	BRE	0: disable Boot ROM. Modem device doesn't support Boot ROM.	0	RO

#### MCR13 (offset = 134h), CP - Capabilities Pointer.

Bit #	Name	Descriptions	Default Val	RW Type
31~8	---	reserved		
7~0	CP	Capabilities Pointer.	C0h	RO

#### MCR15 (offset = 13ch), CINT - Configuration Interrupt

Bit #	Name	Descriptions	Default Val	RW Type
31~24	ML	Max_Lat register. This value indicates "how often" the ADM9513 needs to access to the PCI bus in the units of 250ns. This value is loaded from serial EEPROM after power on or hardware reset.	From EEPROM	RO
23~16	MG	Min_Gnt register. This value indicates "how long" the ADM9513 needs to retain the PCI bus ownership whenever it initiates a transaction in the units of 250ns. This value is loaded from serial EEPROM after power on or hardware reset.	From EEPROM	RO
15~ 8	IP	Interrupt Pin. This value indicates which of the four interrupt request pins that ADM9513 is connected.  Always 01h: means the ADM9513 connects to INTA#	01h	RO
7 ~ 0	IL	Interrupt Line. This value indicates which of the system	X	R/W

ADMtek Incorporated  
1F, No9, Industrial E. 9<sup>th</sup> Road  
Science-Based Industrial Park  
300 Hsinchu, Taiwan, R.O.C.

Version: 1.1

Tel:886-3-5788879 Fax: 886-3-5788871

ADMtek Incorporated Confidential

<http://www.admtek.com.tw>

# ADMtek Incorporated

## ADM 9513

### LAN/Modem Controller with Embedded Fast Ethernet PHY



		interrupt request lines the INTA# of ADM9513 is routed to. The BIOS will fill this field when it initializes and configures the system. The ADM9513 driver can use this value to determine priority and vector information.		
--	--	---	--	--

#### MCR16 (offset = 140h), DS - Driver Space for special purpose.

Bit #	Name	Descriptions	Default Val	RW Type
31~16	---	reserved		
15~8	DS	Driver Space for special purpose. Since this area won't be cleared in the software reset. The ADM9513 driver can use this R/W area for special purpose.	X	R/W
7 ~ 0	---	Reserved		

#### MCR32 (offset = 180h), SIG - Signature of ADM9513

Bit #	Name	Descriptions	Default Val	RW Type
31~16	DID	Device ID, the device ID number of ADM9513.	6985h	RO
15~0	VID	Vendor ID, the vendor ID number of ADM Technology Corp.	1317h	RO

#### MCR48 (offset = 1c0h), PMR0, Power Management Register0.

Bit #	Name	Descriptions	Default Val	RW Type
31~27	PMES	PME_Support. The ADM9513 will assert PME#/CSTSCHG signal while in the D0, D1, D2, D3hot power state. The ADM9513 supports Wake-up from the above four states.	11111b	RO
26	D2S	D2_Support. The ADM9513 supports D2 Power Management State.	1	RO
25	D1S	D1_Support. The ADM9513 supports D1 Power Management State.	1	RO
24~22	AUXC	Aux. Current. These three bits report the maximum 3.3 Vaux current requirements for ADM9513. If bit 31 of PMR0 is '1', the default value is 0101b, means ADM9513 need 100 mA to support remote wake-up in D3cold power state.	010b	RO

ADMtek Incorporated  
1F, No9, Industrial E. 9<sup>th</sup> Road  
Science-Based Industrial Park  
300 Hsinchu, Taiwan, R.O.C.

Version: 1.1

Tel:886-3-5788879 Fax: 886-3-5788871

ADMtek Incorporated Confidential

<http://www.admtek.com.tw>

# ADMtek Incorporated

## ADM 9513

### LAN/Modem Controller with Embedded Fast Ethernet PHY



21	DSI	The Device Specific Initialization bit indicates whether special initialization of this function is required before the generic class device driver is able to use it.  0: indicates that the function does not require a device specific initialization sequence following transition to the D0 un-initialized state.	0	RO
20	---	Reserved.	0	RO
19	PMEC	PME Clock. When “1” indicates that the ADM9513 relies on the presence of the PCI clock for PME#/CSTSCHG operation. While “0” indicates the no PCI clock is required for the ADM9513 to generate PME#/CSTSCHG.	0	RO
18~16	VER	Version. The value of <u>010b</u> indicates that the ADM9511 complies with Revision <u>1.1</u> of the PCI Power Management Interface Specification.	<u>010b</u>	RO
15~8	NIP	Next Item Pointer. This value is always 0h, indicates that there is no additional items in the Capabilities List.	00h	RO
7~0	CAPID	Capability Identifier. This value is always 01h, indicates the link list item as being PCI Power Management Registers.	01h	RO

#### MCR49 (offset = 1c4h), PMR1, Power Management Register 1.

Bit #	Name	Descriptions	Default Val	RW Type
31~24	DR	Data register. This register is used to report the state dependent data requested by the data_select field. The value of this register is scaled by the value reported by the data_scale field	0	RO
23~16	-----	Reserved	8'b0	RO
15	PMES	PME_Status, This bit is set when the ADM9513 would normally assert the PME#/CSTSCHG signal for wake-up event, this bit is independent of the state of the PME-En bit. Writing a “1” to this bit will clear it and cause the ADM9513 to stop asserting a PME#/CSTSCHG (if enabled). Writing a “0” has no effect.	0	R/W*
14,13	DSCAL	Data_Scale, indicates the scaling factor to be used when interpreting the value of the Data register.	0	RO
12~9	DSEL	Data_Select, This four bit field is used to select which data is to be reported through the Data register and Data_Scale field.	0	R/W

ADMtek Incorporated  
1F, No9, Industrial E. 9<sup>th</sup> Road  
Science-Based Industrial Park  
300 Hsinchu, Taiwan, R.O.C.

Version: 1.1

Tel:886-3-5788879 Fax: 886-3-5788871

ADMtek Incorporated Confidential

<http://www.admtek.com.tw>

**ADMtek Incorporated****ADM 9513****LAN/Modem Controller with Embedded Fast Ethernet PHY**

8	PME_En	PME_En, "1" enables the ADM9513 to assert PME#/CSTSCHG. When "0" disables the PME#/CSTSCHG assertion.	0	R/W
7~2	---	reserved	6'b000000	RO
1,0	PWRS	Power State. This two-bit field is used both to determine the current power state of the ADM9513 and to set the ADM9513 into a new power state. The definition of this field is given below. 00b - D0 01b - D1 10b - D2 11b - D3hot This field is auto cleared to D0 when power resumed .	00b	R/W

R/W\*: Read and Write clear

**Modem data register :**

Data select	Data scale	Value	Data reported
0	2	TBD	D0 power consumption
1	2	TBD	D1 power consumption
2	2	TBD	D2 power consumption
3	2	TBD	D3 power consumption
4	2	TBD	D0 power dissipated
5	2	TBD	D1 power dissipated
6	2	TBD	D2 power dissipated
7	2	TBD	D3 power dissipated
8	2	TBD	Common function power dissipated
9-15	2	TBD	Reserved

ADMtek Incorporated  
1F, No9, Industrial E. 9<sup>th</sup> Road  
Science-Based Industrial Park  
300 Hsinchu, Taiwan, R.O.C.

Version: 1.1

Tel:886-3-5788879 Fax: 886-3-5788871

*ADMtek Incorporated Confidential**<http://www.admtek.com.tw>*

# ADMtek Incorporated

## ADM 9513

### LAN/Modem Controller with Embedded Fast Ethernet PHY



## 8.2. Control/Status Registers

### 8.2.1. Ethernet Control/Status registers

The base address of Ethernet Control/Status registers (CSRs) is specified in Function 0 PCI configuration registers.

#### 8.2.1.1. Ethernet Control/Status registers list

offset from base address of CSR	Index	Name	Descriptions
00h	CSR0	PAR	PCI access register
08h	CSR1	TDR	Transmit demand register
10h	CSR2	RDR	Receive demand register
18h	CSR3	RDB	Receive descriptor base address
20h	CSR4	TDB	Transmit descriptor base address
28h	CSR5	SR	Status register
30h	CSR6	NAR	Network access register
38h	CSR7	IER	Interrupt enable register
40h	CSR8	LPC	Lost packet counter
48h	CSR9	SPR	Serial port register
50h	CSR10	---	Reserved
58h	CSR11	TMR	General purpose timer
60h	CSR12	---	Reserved
68h	CSR13	WCSR	Wake-up control/status register
70h	CSR14	WPDR	Wake-up pattern data register
78h	CSR15	WTMR	Watchdog timer
7ch	CSR15a	CISCNT	CIS word count register
80h	CSR16	ACSR5	Assistant CSR5 (Status register 2)
84h	CSR17	ACSR7	Assistant CSR7 (Interrupt enable register 2)
88h	CSR18	CR	Command register
8ch	CSR19	PCIC	PCI bus performance counter
90h	CSR20	PMCSR	Power management command and status
94h	CSR21	WTDP	Current transmit descriptor point
98h	CSR22	WRDP	Current receive descriptor point
9ch	CSR23	TXBR	Transmit burst counter/time-out register
a0h	CSR24	FROM	Flash(boot) ROM port

ADMtek Incorporated  
 1F, No9, Industrial E. 9<sup>th</sup> Road  
 Science-Based Industrial Park  
 300 Hsinchu, Taiwan, R.O.C.

Version: 1.1

Tel:886-3-5788879 Fax: 886-3-5788871

*ADMtek Incorporated Confidential*

*<http://www.admtek.com.tw>*



# ADMtek Incorporated

## ADM 9513

### LAN/Modem Controller with Embedded Fast Ethernet PHY



a4h	CSR25	PAR0	Physical address register 0
a8h	CSR26	PAR1	Physical address register 1
ach	CSR27	MAR0	Multicast address hash table register 0
b0h	CSR28	MAR1	Multicast address hash table register 1
b4h	CSR29	MDMCTL	Modem control register
fch	CSR30	MCMR	Misc controller mode register
100h	CSR31	FER	Function event register
104h	CSR32	FEMR	Function event mask register
108h	CSR33	FPSR	Function present state register
10ch	CSR34	FFER	Function force event register
200h~2FFh			Ethernet CIS area (load from EEPROM)

#### 8.2.1.2. Ethernet Control/Status registers description

##### CSR0 (offset = 00h), PAR - PCI Access Register

Bit #	Name	Descriptions	Default Val	RW Type
31~25	---	Reserved		
24	MWIE	Memory Write and Invalidate Enable. 1: Enable ADM9513 to generate memory write invalidate command. ADM9513 will generate this command while writing full cache lines. 0: Disable ADM9513 to generate memory write invalidate command and use memory write commands instead.	0	R/W*
23	MRLE	Memory Read Line Enable. 1: Enable ADM9513 to generate memory read line command, while read access instruction reach the cache line boundary. If the read access instruction doesn't reach the cache line boundary then ADM9513 uses the memory read command instead.	0	R/W*
22	---	Reserved		
21	MRME	Memory Read Multiple Enable. 1: Enable ADM9513 to generate memory read multiple command while reading full cache line. If the memory is not cache aligned, the ADM9513 uses memory read command instead.	0	R/W*
20~19	---	Reserved		

ADMtek Incorporated  
1F, No9, Industrial E. 9<sup>th</sup> Road  
Science-Based Industrial Park  
300 Hsinchu, Taiwan, R.O.C.

Version: 1.1

Tel:886-3-5788879 Fax: 886-3-5788871  
ADMtek Incorporated Confidential  
<http://www.admtek.com.tw>

# ADMtek Incorporated

## ADM 9513

### LAN/Modem Controller with Embedded Fast Ethernet PHY



18,17	TAP	Transmit auto-polling in transmit suspended state, 00: disable auto-polling (default) 01: polling own-bit every 200 us 10: polling own-bit every 800 us 11: polling own-bit every 1600 us	00	R/W*
16	---	Reserved		
15, 14	CAL	Cache alignment, address boundary for data burst, set after reset 00: = PBL on bits 13~8 of CSR0 01: the minimum value of ( 8 DW , PBL) 10: the minimum value of (16 DW, PBL) 11: the minimum value of (32 DW , PBL)	00	R/W*
13 ~ 8	PBL	Programmable Burst Length. This value defines the maximum number of DW to be transferred in one DMA transaction. value: 0 (unlimited), 1, 2, 4, 8, 16(default), 32 DW	010000	R/W*
7	BLE	Big or Little endian selection. 0: little endian (e.g. INTEL) 1: big endian (only for data buffer)	0	R/W*
6 ~ 2	DSL	Descriptor Skip Length. Defines the gap between two descriptions in the units of DW.	0	R/W*
1	BAR	Bus arbitration 0: receive higher priority 1: transmit higher priority	0	R/W*
0	SWR	Software reset 1: reset all internal hardware, except configuration registers. This signal will be cleared by ADM9513 itself after it completed the reset process.	0	R/W*

**R/W\* = Before writing the register, the transmit and receive operations should be stopped.**

#### CSR1 (offset = 08h), TDR - Transmit demand register

Bit #	Name	Descriptions	Default Val	RW Type
31~ 0	TPDM	Transmit poll demand When written any value in suspended state, trigger read-tx-descriptor process and check the own-bit, if own-bit = 1, then start transmit process	ffffffffh	R/W*

**R/W\* = Before writing the register, the transmit process should be in the suspended state.**

ADMtek Incorporated  
1F, No9, Industrial E. 9<sup>th</sup> Road  
Science-Based Industrial Park  
300 Hsinchu, Taiwan, R.O.C.

Version: 1.1

Tel:886-3-5788879 Fax: 886-3-5788871

ADMtek Incorporated Confidential

<http://www.admtek.com.tw>

# ADMtek Incorporated

## ADM 9513

### LAN/Modem Controller with Embedded Fast Ethernet PHY



#### CSR2 (offset = 10h), RDR - Receive demand register

Bit #	Name	Descriptions	Default Val	RW Type
31 ~ 0	RPDM	Receive poll demand When written any value in suspended state, trigger the read-rx-descriptor process and check own-bit, if own-bit = 1, then start move data to buffer from FIFO	fffffffh	R/W*

R/W\* = Before writing the register, the receive process should be in the suspended state.

#### CSR3 (offset = 18h), RDB - Receive descriptor base address

Bit #	Name	Descriptions	Default Val	RW Type
31~ 2	SAR	Start address of receive descriptor	xxxxxxx	R/W*
1, 0	RBND	must be 00, DW boundary	00	RO

R/W\* = Before writing the register, the receive process should be stopped.

#### CSR4 (offset = 20h), TDB - Transmit descriptor base address

Bit #	Name	Descriptions	Default Val	RW Type
31~ 2	SAT	Start address of transmit descriptor	xxxxxxx	R/W*
1, 0	TBND	must be 00, DW boundary	00	RO

R/W\* = Before writing the register, the transmit process should be stopped.

#### CSR5 (offset = 28h), SR - Status register

Bit #	Name	Descriptions	Default Val	RW Type
31~ 26	----	reserved		
25~ 23	BET	Bus Error Type. This field is valid only when bit 13 of CSR5 (fatal bus error) is set. There is no interrupt generated by this field. 000: parity error, 001: master abort, 010: target abort others: reserved	000	RO
22~ 20	TS	Transmit State. Report the current transmission state only, no interrupt will be generated. 000: stop 001: read descriptor 010: transmitting 011: FIFO fill, read the data from memory and put into FIFO	000	RO

ADMtek Incorporated  
1F, No9, Industrial E. 9<sup>th</sup> Road  
Science-Based Industrial Park  
300 Hsinchu, Taiwan, R.O.C.

Version: 1.1

Tel:886-3-5788879 Fax: 886-3-5788871

ADMtek Incorporated Confidential

<http://www.admtek.com.tw>

**ADMtek Incorporated****ADM 9513****LAN/Modem Controller with Embedded Fast Ethernet PHY**

		100: reserved 101: reserved 110: suspended, unavailable transmit descriptor or FIFO overflow 111: write descriptor		
19~17	RS	Receive State. Report current receive state only, no interrupt will be generated. 000: stop 001: read descriptor 010: check this packet and pre-fetch next descriptor 011: wait for receiving data 100: suspended 101: write descriptor 110: flush the current FIFO 111: FIFO drain, move data from receiving FIFO into memory	000	RO
16	NISS	Normal Interrupt Status Summary. It's set if any of below bits of CSR5 asserted.(combines with bit 16 of ACSR5) bit0, transmit completed interrupt bit2, transmit descriptor unavailable bit6, receive descriptor interrupt	0	RO/LH*
15	AISS	Abnormal Interrupt Status Summary. It's set if any of below bits of CSR5 asserted.(combines with bit 15 of ACSR5) bit1, transmit process stopped bit3, transmit jabber timer time-out bit5, transmit under-flow bit7, receive descriptor unavailable bit8, receive processor stopped bit9, receive watchdog time-out bit11, general purpose timer time-out bit13, fatal bus error	0	RO/LH*
14	----	reserved		
13	FBE	Fatal Bus Error. 1: while any of parity error, master abort, or target abort is occurred (see bits 25~23 of CSR5). ADM9513 will disable all bus access. The way to recover parity error is by setting an software reset.	0	RO/LH*
12	---	Reserved		
11	GPTT	General Purpose Timer Time-out, base on CSR11 timer register	0	RO/LH*
10	---	Reserved		

ADMtek Incorporated  
1F, No9, Industrial E. 9<sup>th</sup> Road  
Science-Based Industrial Park  
300 Hsinchu, Taiwan, R.O.C.

Version: 1.1

Tel:886-3-5788879 Fax: 886-3-5788871

*ADMtek Incorporated Confidential*

<http://www.admtek.com.tw>

# ADMtek Incorporated

## ADM 9513

### LAN/Modem Controller with Embedded Fast Ethernet PHY



9	RWT	Receive Watchdog Time-out, based on CSR15 watchdog timer register	0	RO/LH*
8	RPS	Receive Process Stopped, receive state = stop	0	RO/LH*
7	RDU	Receive Descriptor Unavailable 1: while the next receive descriptor can't be applied by ADM9513, the receive process is suspended in this situation. To restart the receive process, the ownership bit of next receive descriptor should be set to ADM9513 and a receive poll demand command should be issued(or a new recognized frame is received, if the receive poll demand is not issued).	0	RO/LH*
6	RCI	Receive Completed Interrupt 1: while a frame reception is completed.	0	RO/LH*
5	TUF	Transmit Under-Flow 1: while the transmit FIFO had an under-flow condition happened during transmitting, the transmit process will enter the suspended state and report the under-flow error on bit 1 of TDES0.	0	RO/LH*
4	---	Reserved		
3	TJT	Transmit Jabber Time-out 1: while the transmit jabber timer expired, the transmit processor will enter the stop state and the transmit jabber time-out flag of bit 14 of TDES0 will be asserted.	0	RO/LH*
2	TDU	Transmit Descriptor Unavailable 1: while the next transmit descriptor can't be applied by ADM9513. The transmission process is suspended in this situation. To restart the transmission process, the ownership bit of next transmit descriptor should be set to ADM9513 and if the transmit automatic polling is not enabled then a transmit poll demand command should be issued.	0	RO/LH*
1	TPS	Transmit Process Stopped. 1: while transmit state = stop	0	RO/LH*
0	TCI	Transmit Completed Interrupt. 1: means a frame transmission is completed while bit 31 of TDES1 is asserted in the first transmit descriptor of the frame.	0	RO/LH*

**LH = High Latching and cleared by writing 1.**

#### CSR6 (offset = 30h), NAR - Network access register

ADMtek Incorporated  
1F, No9, Industrial E. 9<sup>th</sup> Road  
Science-Based Industrial Park  
300 Hsinchu, Taiwan, R.O.C.

Version: 1.1

Tel:886-3-5788879 Fax: 886-3-5788871

*ADMtek Incorporated Confidential*

*<http://www.admtek.com.tw>*

**ADMtek Incorporated****ADM 9513****LAN/Modem Controller with Embedded Fast Ethernet PHY**

Bit #	Name	Descriptions	Default Val	RW Type
31~22	---	Reserved		
21	SF	Store and forward for transmit 0: disable 1: enable, ignore the transmit threshold setting	0	R/W*
20	---	Reserved		
19	SQE	SQE Disable 0: enable SQE function for 10BASE-T operation. The ADM9513 provides SQE test function for 10BASE-T half duplex operation. 1: disable SQE function.	1	R/W*
18~16	----	Reserved		
15~14	TR	transmit threshold control 00: 128-byte (100Mbps), 72-byte (10Mbps) 01: 256-byte (100Mbps), 96-byte (10Mbps) 10: 512-byte (100Mbps), 128-byte (10Mbps) 00: 1024-byte (100Mbps), 160-byte (10Mbps)	00	R/W*
13	ST	Stop transmit 0: stop (default) 1: start	0	R/W
12	FC	Force collision mode 0: disable 1: generate collision when transmit (for test in loop-back mode)	0	R/W**
11, 10	OM	Operating Mode 00: normal 01: MAC loop-back 10,11: reserved	00	R/W**
9, 8	---	Reserved		
7	MM	Multicast Mode 1: receive all multicast packets	0	R/W***
6	PR	Promiscuous Mode 1: receive any good packet. 0: receive only the right destination address packets	1	R/W***
5	SBC	Stop Back-off Counter 1: back-off counter stop when carrier is active, and resume when carrier drop. 0: back-off counter is not effected by carrier	0	R/W**
4	—	Reserved		
3	PB	Pass Bad packet 1: receives any packets, if pass address filter, including runt	0	R/W***

ADMtek Incorporated  
1F, No9, Industrial E. 9<sup>th</sup> Road  
Science-Based Industrial Park  
300 Hsinchu, Taiwan, R.O.C.

Version: 1.1

Tel:886-3-5788879 Fax: 886-3-5788871

ADMtek Incorporated Confidential

<http://www.admtek.com.tw>

# ADMtek Incorporated

## ADM 9513

### LAN/Modem Controller with Embedded Fast Ethernet PHY



		packets, CRC error, truncated packets... For receiving all bad packets, the bit 6 of CSR6 should be set to 1. 0: filters all bad packets		
2	---	Reserved		
1	SR	Start/Stop Receive 0: receive processor will enter stop state after the current reception frame completed. This value is effective only when the receive processor is in the running or suspending state. Notice: In "Stop Receive" state, the PAUSE packet and Remote Wake Up packet won't be effected and can be received if the corresponding function is enabled. 1: receive processor will enter running state.	0	R/W
0	---	Reserved		

**W\*** = only write when the transmit processor stopped.

**W\*\*** = only write when the transmit and receive processor both stopped.

**W\*\*\*** = only write when the receive processor stopped.

#### CSR7 (offset = 38h), IER - Interrupt Enable Register

Bit #	Name	Descriptions (Refer to CSR5)	Default Val	RW Type
31~17	---	Reserved		
16	NIE	Normal Interrupt Enable 1: enable all the normal interrupt bits( see bit16 of CSR5)	0	R/W
15	AIE	Abnormal Interrupt Enable 1: enable all the abnormal interrupt bits(see bit 15 of CSR5)	0	R/W
14	---	Reserved		
13	FBEIE	Fatal Bus Error Interrupt Enable 1: combine this bit and bit 15 of CSR7 to enable fatal bus error interrupt	0	R/W
12				
11	GPTIE	General Purpose Timer Interrupt Enable 1: combine this bit and bit 15 of CSR7 to enable the general purpose timer expired interrupt.	0	R/W
10	---	Reserved		
9	RWTIE	Receive Watchdog Time-out Interrupt Enable 1: combine this bit and bit 15 of CSR7 to enable receive watchdog time-out interrupt.	0	R/W
8	RSIE	Receive Stopped Interrupt Enable 1: combine this bit and bit 15 of CSR7 to enable receive stopped interrupt.	0	R/W
7	RUIE	Receive Descriptor Unavailable Interrupt Enable	0	R/W

ADMtek Incorporated

1F, No9, Industrial E. 9<sup>th</sup> Road

Science-Based Industrial Park

300 Hsinchu, Taiwan, R.O.C.

Tel:886-3-5788879 Fax: 886-3-5788871

ADMtek Incorporated Confidential

<http://www.admtek.com.tw>

Version: 1.1

**ADMtek Incorporated****ADM 9513****LAN/Modem Controller with Embedded Fast Ethernet PHY**

		1: combine this bit and bit 15 of CSR7 to enable receive descriptor unavailable interrupt.		
6	RCIE	Receive Completed Interrupt Enable 1: combine this bit and bit 16 of CSR7 to enable receive completed interrupt.	0	R/W
5	TUIE	Transmit Under-flow Interrupt Enable 1: combine this bit and bit 15 of CSR7 to enable transmit under-flow interrupt.	0	R/W
4	---	Reserved		
3	TJTIE	Transmit Jabber Timer Time-out Interrupt Enable 1: combine this bit and bit 15 of CSR7 to enable transmit jabber timer time-out interrupt.	0	R/W
2	TDUIE	Transmit Descriptor Unavailable Interrupt Enable 1: combine this bit and bit 16 of CSR7 to enable transmit descriptor unavailable interrupt.	0	R/W
1	TPSIE	Transmit Processor Stopped Interrupt Enable 1: combine this bit and bit 15 of CSR7 to enable transmit processor stopped interrupt.	0	R/W
0	TCIE	Transmit Completed Interrupt Enable 1: combine this bit and bit 16 of CSR7 to enable transmit completed interrupt.	0	R/W

**CSR8 (offset = 40h), LPC - Lost packet counter**

Bit #	Name	Descriptions	Default Val	RW Type
31~17	---	Reserved		
16	LPCO	Lost Packet Counter Overflow 1: while lost packet counter overflowed. It will be cleared after read	0	RO/LH
15~0	LPC	Lost Packet Counter Increment the counter while a packet discarded due to there was no host receive descriptors available. It will be cleared after read	0	RO/LH

**CSR9(offset = 48h), SPR - Serial port register**

Bit #	Name	Descriptions	Default Val	RW Type
31~20	---	Reserved		
19	MDI	MII Management Data Input Specified read data from the external PHY	0	R/W

ADMtek Incorporated  
1F, No9, Industrial E. 9<sup>th</sup> Road  
Science-Based Industrial Park  
300 Hsinchu, Taiwan, R.O.C.

Version: 1.1

Tel:886-3-5788879 Fax: 886-3-5788871

ADMtek Incorporated Confidential

<http://www.admtek.com.tw>



# ADMtek Incorporated

## ADM 9513

### LAN/Modem Controller with Embedded Fast Ethernet PHY



18	MMC	MII Management Control 0: Write operation to the external PHY 1: Read operation from the external PHY	1	R/W
17	MDO	MII Management Data Output Specified Write Data to the external PHY	0	R/W
16	MDC	MII Management Clock 1: MII Management Clock is a output reference clock to the external PHY	0	R/W
15	---	Reserved		
14	SRC	Serial EEPROM Read Control Set together with bit 11 of CSR9 to enable read operation from EEPROM	0	R/W
13	SWC	Serial EEPROM Write Control Set together with bit 11 of CSR9 to enable write operation to EEPROM	0	R/W
12	---	Reserved		
11	SRS	Serial EEPROM Select Set together with bit 14 or 13 of CSR9 to enable EEPROM access	0	R/W
10~4	---	Reserved		
3	SDO	Serial EEPROM data out This bit serially shifts data from the EEPROM to the ADM9513	1	RO
2	SDI	Serial EEPROM data in This bit serially shifts data from the ADM9513 to the EEPROM.	1	R/W
1	SCLK	Serial EEPROM clock High/Low this bit to provide the clock signal for EEPROM.	1	R/W
0	SCS	Serial EEPROM chip select 1: selects the serial EEPROM chip.	0	R/W

#### CSR11 (offset = 58h), TMR -General-purpose Timer

Bit #	Name	Descriptions	Default Val	RW Type
31~17	---	Reserved		
16	COM	Continuous Operation Mode 1: sets the general-purpose timer in continuous operating mode.	0	R/W
15~0	GTV	General-purpose Timer Value Sets the counter value. This is a count-down counter with the	0	R/W

ADMtek Incorporated  
1F, No9, Industrial E. 9<sup>th</sup> Road  
Science-Based Industrial Park  
300 Hsinchu, Taiwan, R.O.C.

Version: 1.1

Tel:886-3-5788879 Fax: 886-3-5788871  
ADMtek Incorporated Confidential  
<http://www.admtek.com.tw>

**ADMtek Incorporated****ADM 9513****LAN/Modem Controller with Embedded Fast Ethernet PHY**

		cycle time of 204us.		
--	--	----------------------	--	--

**CSR13 (offset = 68h), WCSR –Wake-up Control/Status Register**

Bit #	Name	Descriptions	Default Val	RW Type
31	---	Reserved		
30	CRCT	CRC-16 Type 0: Initial contents = 0000h 1: Initial contents = FFFFh	0	R/W
29	WP1E	Wake-up Pattern One Matched Enable.	0	R/W
28	WP2E	Wake-up Pattern Two Matched Enable.	0	R/W
27	WP3E	Wake-up Pattern Three Matched Enable.	0	R/W
26	WP4E	Wake-up Pattern Four Matched Enable.	0	R/W
25	WP5E	Wake-up Pattern Five Matched Enable.	0	R/W
24-18	---	Reserved		
17	LinkOFF	Link Off Detect Enable. The ADM9513 will set the LSC bit of CSR13 after it has detected that link status is from ON to OFF.	0	R/W
16	LinkON	Link On Detect Enable. The ADM9513 will set the LSC bit of CSR13 after it has detected that link status is from OFF to ON.	0	R/W
15-11	---	Reserved	00001	
10	WFRE	Wake-up Frame Received Enable. The ADM9513 will include the “Wake-up Frame Received” event into wake-up events. If this bit is set, ADM9513 will assert PMES bit of PMR1 after ADM9513 has received a matched wake-up frame.	0	R/W
9	MPRE	Magic Packet Received Enable. The ADM9513 will include the “Magic Packet Received” event into wake-up events. If this bit is set, ADM9513 will assert PMES bit of PMR1 after ADM9513 has received a Magic packet.	0	R/W
8	LSCE	Link Status Changed Enable. The ADM9513 will include the “Link Status Changed” event into wake-up events. If this bit is set, ADM9513 will assert PMES bit of PMR1 after ADM9513 has detected a link status changed event.	0	R/W
7-3	---	Reserved		
2	WFR	Wake-up Frame Received, 1: Indicates ADM9513 has received a wake-up frame. It is cleared by write 1 or upon power-up reset. It is not affected by a hardware or software reset.	X	R/W1C*
1	MPR	Magic Packet Received,	X	R/W1C*

ADMtek Incorporated  
1F, No9, Industrial E. 9<sup>th</sup> Road  
Science-Based Industrial Park  
300 Hsinchu, Taiwan, R.O.C.

Version: 1.1

Tel:886-3-5788879 Fax: 886-3-5788871

*ADMtek Incorporated Confidential**<http://www.admtek.com.tw>*

# ADMtek Incorporated

## ADM 9513

### LAN/Modem Controller with Embedded Fast Ethernet PHY



		1: Indicates ADM9513 has received a magic packet. It is cleared by write 1 or upon power-up reset. It is not affected by a hardware or software reset.		
0	LSC	Link Status Changed, 1: Indicates ADM9513 has detected a link status change event. It is cleared by write 1 or upon power-up reset. It is not affected by a hardware or software reset.	X	R/W1C*

R/W1C\*, Read Only and Write one to clear.

#### CSR14 (offset = 70h), WPDR –Wake-up Pattern Data Register

All six wake-up patterns filtering information are programmed through WPDR register. The filtering information is as follows

0000h	Wake-up pattern 1 mask bits 31:0		
0004h	Wake-up pattern 1 mask bits 63:32		
0008h	Wake-up pattern 1 mask bits 95:64		
000ch	Wake-up pattern 1 mask bits 127:96		
0010h	CRC16 of pattern 1	Reserved	Wake-up pattern 1 offset
0014h	Wake-up pattern 2 mask bits 31:0		
0018h	Wake-up pattern 2 mask bits 63:32		
001ch	Wake-up pattern 2 mask bits 95:64		
0020h	Wake-up pattern 2 mask bits 127:96		
0024h	CRC16 of pattern 2	Reserved	Wake-up pattern 2 offset
0028h	Wake-up pattern 3 mask bits 31:0		
002ch	Wake-up pattern 3 mask bits 63:32		
0030h	Wake-up pattern 3 mask bits 95:64		
0034h	Wake-up pattern 3 mask bits 127:96		
0038h	CRC16 of pattern 3	Reserved	Wake-up pattern 3 offset
003ch	Wake-up pattern 4 mask bits 31:0		
0040h	Wake-up pattern 4 mask bits 63:32		
0044h	Wake-up pattern 4 mask bits 95:64		
0048h	Wake-up pattern 4 mask bits 127:96		
004ch	CRC16 of pattern 4	Reserved	Wake-up pattern 4 offset
0050h	Wake-up pattern 5 mask bits 31:0		
0054h	Wake-up pattern 5 mask bits 63:32		
0058h	Wake-up pattern 5 mask bits 95:64		
005ch	Wake-up pattern 5 mask bits 127:96		
0060h	CRC16 of pattern 5	Reserved	Wake-up pattern 5 offset

1. Offset value is from 0-255 (8-bit width).

2. To load the whole wake-up frame filtering information, consecutive 25 long words write operation to

ADMtek Incorporated

1F, No9, Industrial E. 9<sup>th</sup> Road

Science-Based Industrial Park

300 Hsinchu, Taiwan, R.O.C.

Tel:886-3-5788879 Fax: 886-3-5788871

ADMtek Incorporated Confidential

<http://www.admtek.com.tw>

Version: 1.1

# ADMtek Incorporated

## ADM 9513

### LAN/Modem Controller with Embedded Fast Ethernet PHY



CSR14 should be done.

#### CSR15 (offset = 78h), WTMR - Watchdog timer

Bit #	Name	Descriptions	Default Val	RW Type
31~6	---	Reserved		
5	RWR	Receive Watchdog Release, the time of release watchdog timer from last carrier deserted. 0: 24 bit-time 1: 48 bit-time	0	R/W
4	RWD	Receive Watchdog Disable 0: If the receiving packet's length is longer than 2560 bytes, the watchdog timer will be expired. 1: disable the receive watchdog.	0	R/W
3	---	Reserved		
2	JCLK	Jabber clock 0: cut off transmission after 2.6 ms (100Mbps) or 26 ms (10Mbps). 1: cut off transmission after 2560 byte-time.	0	R/W
1	NJ	Non-Jabber 0: if jabber expired, re-enable transmit function after 42 ms (100Mbps) or 420ms (10Mbps) 1: immediately re-enable the transmit function after jabber expired	0	R/W
0	JBD	Jabber disable 1: disable transmit jabber function	0	R/W

#### CSR15a (offset = 7ch), CISCNT – CIS word count register

Bit #	Name	Descriptions	Default Val	RW Type
31-16	---	Reserved		
15-8	MCIScnt	MODEM CIS length	From EEPROM	RO
7-0	CIScnt	Ethernet CIS length	From EEPROM	RO

#### CSR16 (offset = 80h), ACSR5 - Assistant CSR5 (Status register 2)

Bit #	Name	Descriptions	Default Val	RW Type
31	TEIS	Transmit Early Interrupt status	0	RO/LH*

ADMtek Incorporated  
1F, No9, Industrial E. 9<sup>th</sup> Road  
Science-Based Industrial Park  
300 Hsinchu, Taiwan, R.O.C.

Version: 1.1

Tel:886-3-5788879 Fax: 886-3-5788871  
ADMtek Incorporated Confidential  
<http://www.admtek.com.tw>

# ADMtek Incorporated

## ADM 9513

### LAN/Modem Controller with Embedded Fast Ethernet PHY



		Transmit early interrupt status is set to 1 when Transmit early interrupt function is enabled (set bit 31 of CSR17 = 1) and the transmitted packet is moved completed from descriptors to TX-FIFO buffer. This bit is cleared by written with 1.		
30	REIS	Receive Early Interrupt Status. Receive early interrupt status is set to 1 when Receive early interrupt function is enabled (set bit 30 of CSR17 = 1) and the received packet is fill up its first receive descriptor. This bit is cleared by written with 1.	0	RO/LH*
29	LCS	Status of link status change	0	RO/LH*
28	TDIS	Transmit Deferred Interrupt Status.	0	RO/LH*
27	---	Reserved		
26	PFR	PAUSE Frame Received Interrupt Status 1: indicates a PAUSE frame received when the PAUSE function is enabled.	0	RO/LH*
25~17	---	Reserved		
16	ANISS	Added normal interrupt status summary. 1: any of the added normal interrupt happened.	0	RO/LH*
15	AAISS	Added Abnormal Interrupt Status Summary. 1: any of added abnormal interrupt happened.	0	RO/LH*
14~0		These bits are the same as the status register of CSR5. You can access those status bits through either CSR5 or CSR16.		RO/LH*

LH\* = High Latching and cleared by writing 1.

#### CSR17 (offset = 84h), ACSR7- Assistant CSR7(Interrupt enable register 2)

Bit #	Name	Descriptions	Default Val	RW Type
31	TEIE	Transmit Early Interrupt Enable	0	R/W
30	REIE	Receive Early Interrupt Enable	0	R/W
29	LCIE	Link Change Interrupt enable	0	R/W
28	TDIE	Transmit Deferred Interrupt Enable	0	R/W
27	---	Reserved		
26	PFRIE	PAUSE Frame Received Interrupt Enable	0	R/W
25~17	---	Reserved		
16	ANISE	Added Normal Interrupt Summary Enable. 1: adds the interrupts of bit 30 and 31 of ACSR7 to the normal interrupt summary (bit 16 of CSR5).	0	R/W
15	AAIE	Added Abnormal Interrupt Summary Enable. 1: adds the interrupt of bit 26, 28 and 29 of ACSR7 to the abnormal interrupt summary (bit 15 of CSR5).	0	R/W

ADMtek Incorporated  
1F, No9, Industrial E. 9<sup>th</sup> Road  
Science-Based Industrial Park  
300 Hsinchu, Taiwan, R.O.C.

Version: 1.1

Tel:886-3-5788879 Fax: 886-3-5788871

ADMtek Incorporated Confidential

<http://www.admtek.com.tw>

# ADMtek Incorporated

## ADM 9513

### LAN/Modem Controller with Embedded Fast Ethernet PHY



14~0		These bits are the same as the interrupt enable register of CSR7. You can access those interrupt enable bits through either CSR7 or CSR17.		R/W
------	--	--	--	-----

#### CSR18 (offset = 88h), CR - Command Register, bit31 to bit16 automatically recall from EEPROM

Bit #	Name	Descriptions	Default Val	RW Type
31	D3CS	D3cold support , mapped to CR48<31>	1 from EEPROM	R/W
30-28	AUXCL	Aux Current. These three bits report the maximum 3.3 Vaux current requirements for ADM9513. If bit 31 of PMR0 is '1', the default value is 0101b, means ADM9513 need 100 mA to support remote wake-up in D3cold power state	000b from EEPROM	R/W
27	pmpesl	This bit control the polarity of PMEP pin 1 : PMEPE output a negative pulse; 0 : PMEPE output a positive pulse	0 from EEPROM	R/W
26	--	Reserved		
25	Pci_pad	This bit is only effective in Cardbus mode, it is no effect in PCI mode 1 : Output PCI pad to the Cardbus interface 0 : Output Cardbus pad to the CardBus interface	0 from eeprom	R/W
24	Pmez_sticky	1 : pmez sticky: While pmez signal is asserted by wake up event, it can not be auto de-asserted. The software should clear CR49<15> PMES bit to de-assert the pmez signal. 0 : pmez auto de-asserted. While pmez signal is asserted by wake up event, it will be de-asserted by power up automatically.	0 from eeprom	R/W
23	4_3LED	If this bit is reset, 3 LED mode is selected, the LEDs definition is: <ul style="list-style-type: none"> <li>● 100/10 speed</li> <li>● Link/Activity</li> <li>● Full Duplex/Collision</li> </ul> If this bit is set, 4 LED mode is selected, the LEDs definition is: <ul style="list-style-type: none"> <li>● 100 Link</li> <li>● 10 Link</li> <li>● Activity</li> <li>● Full Duplex/Collision</li> </ul>	0 from EEPROM	R/W
22, 21	RFS	Receive FIFO size control	10	R/W

ADMtek Incorporated  
 1F, No9, Industrial E. 9<sup>th</sup> Road  
 Science-Based Industrial Park  
 300 Hsinchu, Taiwan, R.O.C.

Version: 1.1

Tel:886-3-5788879 Fax: 886-3-5788871

ADMtek Incorporated Confidential

<http://www.admtek.com.tw>

**ADMtek Incorporated****ADM 9513****LAN/Modem Controller with Embedded Fast Ethernet PHY**

		11: 1K 10: 2K 01,00: reserved	from EEPROM	
20	CRD	Clock Run (clk-run pin) disable 1: disables the function of clock run supports to PCI.	0 from EEPROM	R/W
19	PM	Power Management, enables the ADM9513 whether to activate the Power Management abilities. When this bit is set into "0" the ADM9513 will set the Cap_Ptr register to zero, indicating no PCI compliant power management capabilities. The value of this bit will be mapped to NC-bit 20 of CR1. In PCI Power Management mode, the Wake-up events include "Wake-up Frame Received", "Magic Packet Received" and "Link Status Changed" depends on the CSR13 settings	1 from EEPROM	RO
18	APM	APM mode , this bit is effective when CSR18[19 PM bit is set. 1: Magic packet wake-up event default enable 0: Magic packet wake-up event default disable	1 from EEPROM	R/W
17	LWS	Should be 0	0 from EEPROM	R/W
16~9	----	Reserved		
8	Pmepshort	PMEP pulse length 0: The pulse width of PMEP is 50ms 1: The pulse width of PMEP is set to short pulse 100us for test purpose	0	R/W
7	D3_APM	This bit is used to force generating pmez signal. It doesn't care the PME_EN status, the pmez signal can be asserted by programming this bit 1: Assert pmez signal 0: De-assert pmez signal	0	R/W
6	RWP	Reset Wake-up Pattern Data Register Pointer 0: Normal 1: Reset	0	R/W
5	PAUSE	PAUSE function control to disable or enable the PAUSE function for flow control. The default value of PAUSE is decided by the result of Auto-Negotiation. Driver can force to enable or disable it after the Auto-Negotiation completed. 0: PAUSE function is disabled. 1: PAUSE function is enabled	0	R/W

ADMtek Incorporated  
1F, No9, Industrial E. 9<sup>th</sup> Road  
Science-Based Industrial Park  
300 Hsinchu, Taiwan, R.O.C.

Version: 1.1

Tel:886-3-5788879 Fax: 886-3-5788871

*ADMtek Incorporated Confidential*

*<http://www.admtek.com.tw>*

**ADMtek Incorporated****ADM 9513****LAN/Modem Controller with Embedded Fast Ethernet PHY**

4	RTE	Receive Threshold Enable. 1: the receive FIFO threshold is enabled. 0: disable the receive FIFO threshold selection in bit 3~2 of this register, the receive threshold is set to 64-byte.	0	R/W
3~2	DRT	Drain Receive Threshold 00: 32 bytes (8 DW) 01: 64 bytes (16 DW) 10: store-and-forward 11: reserved	01	R/W
1	SINT	Software interrupt	0	R/W
0	ATUR	1: enable automatically transmit-underrun recovery.	0	R/W

**CSR 20(offset = 8ch) - PCIC, PCI bus performance counter**

Bit #	Name	Descriptions	Default Val	RW Type
31~16	CLKCNT	The number of PCI clock from read request asserted to access completed. This PCI clock number is accumulated all the read command cycles from last CSR19 read to current CSR19 read.	0	RO*
15~8	---	reserved		
7~0	DWCNT	The number of double word accessed by the last bus master. This double word number is accumulated all the bus master data transactions from last CSR19 read to current CSR19 read.	0	RO*

RO\* = Read only and cleared by reading.

**CSR20 (offset = 90h) - PMCSR, Power Management Command and Status.(The same register value mapping to CR49-PMR1.)**

Bit #	Name	Descriptions	Default Val	RW Type
31~16	---	reserved		
15	PMES	PME_Status, This bit is set when the ADM9513 would normally assert the PME# signal for wakeup event, this bit is independent of the state of the PME_En bit. Writing a "1" to this bit will clear it and cause the ADM9513 to stop asserting a PME#(if enabled). Writing a "0" has no effect.	0	R/W
14,13	DSCAL	Data_Scale, indicates the scaling factor to be used when interpreting the value of the Data register.	00b	RO
12~9	DSEL	Data Select, This four-bit field is used to select which data is	0000b	R/W

ADMtek Incorporated  
1F, No9, Industrial E. 9<sup>th</sup> Road  
Science-Based Industrial Park  
300 Hsinchu, Taiwan, R.O.C.

Version: 1.1

Tel:886-3-5788879 Fax: 886-3-5788871

*ADMtek Incorporated Confidential*

*<http://www.admtek.com.tw>*



# ADMtek Incorporated

## ADM 9513

### LAN/Modem Controller with Embedded Fast Ethernet PHY



		to be reported through the Data register and Data_Scale field.		
8	PME_En	PME_En, "1" enables the ADM9513 to assert PME#/CSTSCHG. When "0" disables the PME#/CSTSCHG assertion. Magic packet default enable: When CSR18<18> and CSR18<19> are set to 1, then the magic packet wake up event will be default enabled (CSR13<9> be set), it doesn't matter the PME_En is set or not.	0	RO
7~2	---	reserved	000000b	RO
1,0	PWRS	Power State. This two-bit field is used both to determine the current power state of the ADM9513 and to set the ADM9513 into a new power state. The definition of this field is given below. 00b - D0 01b - D1 10b - D2 11b - D3hot This field is auto cleared to D0 when power resumed .	00b	RO

#### CSR21 (offset = 94h) - WTDP, The current working transmit descriptor pointer

Bit #	Name	Descriptions	Default Val	RW Type
31~0	WTDP	The current working transmit descriptor pointer for driver's double check or other special purpose.	XXXX	RO

#### CSR22 (offset = 98h) - WRDP, The current working receive descriptor pointer

Bit #	Name	Descriptions	Default Val	RW Type
31~0	WRDP	The current working receive descriptor pointer for driver's double check or other special purpose.	XXXX	RO

#### CSR23 (offset = 9ch) - TXBR, transmit burst counter / time-out

Bit #	Name	Descriptions	Default Val	RW Type
31~21	---	Reserved		
20~16	TBCNT	Transmit Burst Count After this number of consecutive successful transmit, transmit completed interrupt will be generated. Continuously do this	0	R/W

ADMtek Incorporated  
1F, No9, Industrial E. 9<sup>th</sup> Road  
Science-Based Industrial Park  
300 Hsinchu, Taiwan, R.O.C.

Version: 1.1

Tel:886-3-5788879 Fax: 886-3-5788871

ADMtek Incorporated Confidential

<http://www.admtek.com.tw>

# ADMtek Incorporated

## ADM 9513

### LAN/Modem Controller with Embedded Fast Ethernet PHY



		function if no reset.		
11~0	TTO	Transmit Time-Out = (deferred time + back-off time). When the TDIE(bit28 of ACSR7) is set, the timer is decreased in unit of 2.56us(100M) or 25.6us(10M). If the timer expires before another packet transmit begin, then the TDIE interrupt will be generated.	0	R/W

#### CSR24 (offset = a0h) - FROM, Flash ROM(also the boot ROM) port

Bit #	Name	Descriptions	Default Val	RW Type
31	Bra16_on	This bit is only effective when 4 LED mode selected (bit 23 of CSR18 is set). When 4 LED mode selected, and this bit is set, then pin G14, BrA16/LED-4 is defined as BrA16, otherwise, it is defined as LED pin – FD/COL	1	R/W
30~28	---	Reserved		
27	REN	read enable, clear if read data is ready in DATA, bit7-0 of FROM.	0	R/W
26	WEN	Write enable, cleared if write completed	0	R/W
25~8	ADDR	Flash ROM address	0	R/W
7~0	DATA	Read/Write data of flash ROM	0	R/W

#### CSR25 (offset = a4h) - PAR0, physical address register 0, automatically recall from EEPROM

Bit #	Name	Descriptions	Default Val	RW Type
31~24	PAB3	physical address byte 3	From EEPROM	R/W
23~16	PAB2	physical address byte 2	From EEPROM	R/W
15~8	PAB1	physical address byte 1	From EEPROM	R/W
7~0	PAB0	physical address byte 0	From EEPROM	R/W

#### CSR26 (offset = a8h) - PAR1, physical address register 1, automatically recall from EEPROM

Bit #	Name	Descriptions	Default Val	RW Type
31~24	---	Reserved		

ADMtek Incorporated  
1F, No9, Industrial E. 9<sup>th</sup> Road  
Science-Based Industrial Park  
300 Hsinchu, Taiwan, R.O.C.

Version: 1.1

Tel:886-3-5788879 Fax: 886-3-5788871  
ADMtek Incorporated Confidential  
<http://www.admtek.com.tw>

# ADMtek Incorporated

## ADM 9513

### LAN/Modem Controller with Embedded Fast Ethernet PHY



23~16	---	Reserved		
15~8	PAB5	physical address byte 5	From EEPROM	R/W
7~0	PAB4	physical address byte 4	From EEPROM	R/W

for example, physical address = 00-00-e8-11-22-33

PAR0= 11 e8 00 00

PAR1= xx xx 33 22

PAR0 and PAR1 are readable, but can be written only if the receive state is in stopped state (CSR5 bit19-17=000).

#### CSR27 (offset = ach) - MAR0, multicast address hash table register 0

Bit #	Name	Descriptions	Default Val	RW Type
31~24	MAB3	multicast address byte 3 (hash table 31:24)	0	R/W
23~16	MAB2	multicast address byte 2 (hash table 23:16)	0	R/W
15~8	MAB1	multicast address byte 1 (hash table 15:8)	0	R/W
7~0	MAB0	multicast address byte 0 (hash table 7:0)	0	R/W

#### CSR29 (offset = b0h) - MAR1, multicast address hash table register 1

Bit #	Name	Descriptions	Default Val	RW Type
31~24	MAB7	multicast address byte 7 (hash table 63:56)	0	R/W
23~16	MAB6	multicast address byte 6 (hash table 55:48)	0	R/W
15~8	MAB5	multicast address byte 5 (hash table 47:40)	0	R/W
7~0	MAB4	multicast address byte 4 (hash table 39:32)	0	R/W

MAR0 and MAR1 are readable, but can be written only if the receive state is in stopped state (CSR5 bit19-17=000).

#### CSR29 (offset = b4h) - MDMCTL, Modem control register

Bit #	Name	Descriptions	Default Val	RW Type
31	MDM	Modem function enable 1: enable the modem interface. The modem pins are shared with boot ROM interface. By setting this pin, the shared	1 from EEPROM	R/W

ADMtek Incorporated  
1F, No9, Industrial E. 9<sup>th</sup> Road  
Science-Based Industrial Park  
300 Hsinchu, Taiwan, R.O.C.

Version: 1.1

Tel:886-3-5788879 Fax: 886-3-5788871

ADMtek Incorporated Confidential

<http://www.admtek.com.tw>

**ADMtek Incorporated****ADM 9513****LAN/Modem Controller with Embedded Fast Ethernet PHY**

		pins will be output as modem pins. 0: disable modem interface.		
30	---	Reserved, must be set to 1.	1	R/W
29	BROM_DIS	Boot ROM disable 1: disable Boot ROM detection on PCI configuration 0: enable Boot ROM detection on PCI configuration	0 from EEPROM	R/W
28	---	Reserved, must be set to 1.	1	R/W
27	INT_sel	Select the polarity of HW_INT output 1 : HW_INT will assert an active low signal after modem interrupt occurred 0 : HW_INT assert an active high signal	1 from EEPROM	R/W
26	RING_sel	Select the polarity of RING output 1 : RING asserts an active low signal 0 : RING asserts an active high signal	1 from EEPROM	R/W
25	RST_sel	Select the polarity of ISA_RST output 0 : ISA_RST active as a high pulse for modem reset 1: ISA_RST active as a low pulse for modem reset	0 from EEPROM	R/W
24-0		Reserved	---	---

**CSR30 (offset = fch) – MCMR, Misc controller mode register**

Bit #	Name	Descriptions	Default Val	RW Type
31	SPEED	Network Speed Status 1: 100M 0: 10M	0	RO
30	FD	Full/Half Duplex Status 1: Full duplex 0: Half duplex	0	RO
29	LINK	Network Link Status 1: Link On 2: Link Off	0	RO
28~27	Reserved		0	
26	EERLOD	Write 1 to this bit will cause ADM9513 to reload data from EEPROM. After reload completed, this bit will be cleared automatically.	0	R/W
25~3	Reserved		0	

ADMtek Incorporated  
1F, No9, Industrial E. 9<sup>th</sup> Road  
Science-Based Industrial Park  
300 Hsinchu, Taiwan, R.O.C.

Version: 1.1

Tel:886-3-5788879 Fax: 886-3-5788871

*ADMtek Incorporated Confidential*<http://www.admtek.com.tw>

# ADMtek Incorporated

## ADM 9513

### LAN/Modem Controller with Embedded Fast Ethernet PHY



2~0	OpMode	<p>These three bits are used to configure ADM9513's operation mode:</p> <p>111b: Single Chip mode (Normal operation) At this mode, ADM9513 is configured as single chip to provide PCI to Ethernet controller.</p> <p>100b: MAC-only mode The ADM9513 is configured as a MAC only controller, it provides standard MII interface to link to the external PHY. This mode can support HomePNA application.</p> <p>Others: For diagnostic purpose.</p>	111b	R/W
-----	--------	---	------	-----

#### CSR31 (offset = 100h) – FER, Function event register

Bit #	Name	Descriptions	Default Val	RW Type
31~16	Reserved		0	
15	INTR_EV ENT	This bit is used as the interrupt bit. It is set when the Ethernet interrupt source is set, regardless of the mask value. It is cleared when the OS writes 1b to this field and the interrupt source has been serviced. Writing 0b to this field has no effect.	0	R/WIC*
14~5	Reserved		0	
4	GWAKE_ EVENT	This bit is used for general wake-up. It is set when the Ethernet wake-up source is set, regardless of the mask value. Writing 1b to this field clears this bit and the PME Status bit in the PMCSR. Writing 0b to this field has no effect. Note that writing 1b to the PME Status bit in the PMCSR has the same effect.	0	R/WIC
3~0	Reserved		0	

#### CSR32 (offset = 104h) – FEMR, Function Event Mask Register

Bit #	Name	Descriptions	Default Val	RW Type
31~16	Reserved		0	
15	INTR_EN	The bit is the interrupt mask. When this bit equals 0b, it masks the Ethernet function INTA# line but has no effect on	1	R/W

ADMtek Incorporated  
1F, No9, Industrial E. 9<sup>th</sup> Road  
Science-Based Industrial Park  
300 Hsinchu, Taiwan, R.O.C.

Version: 1.1

Tel:886-3-5788879 Fax: 886-3-5788871

ADMtek Incorporated Confidential

<http://www.admtek.com.tw>

# ADMtek Incorporated

## ADM 9513

### LAN/Modem Controller with Embedded Fast Ethernet PHY



		the Function Event register. The interrupt mask bit affects the INTA# masking.		
14	WKUP_EN	This bit is the wake-up mask. When this bit equals 0b, it masks the Ethernet function CSTSCHG signal but has no effect on the Function Event register. This bit is dependent on bit 4 of this register.	0	R/W
13~5	Reserved		0	
4	GWAKE_EN	This bit is the general wake-up mask. When this bit equals 0b, it masks the Ethernet function wake-up events towards the CSTSCHG signal. It has no effect on the Function Event register. The ADM9513 can assert the CSTSCHG signal in the following configuration of masked bits: wake-up bit AND general wake-up bit, or PME Enable bit in the PMCSR register only.	0	R/W
3~0	Reserved		0	

#### CSR33 (offset = 108h) – FPSR, Function present state register

Bit #	Name	Descriptions	Default Val	RW Type
31~16	Reserved		0	
15	INTR_STATUS	This bit is used for interrupts. It reflects the current state of the Ethernet source of the interrupt regardless of the mask value. It is set when the Ethernet function has a pending interrupt and cleared when the software driver acknowledges all active interrupts through the SCB Command Word.	0	RO
14~5	Reserved		0	
4	WAKEUP_STATUS	This bit is used for general wake-up. It reflects the current state of the Ethernet source of CSTSCHG. It is a logical OR result of the gated three most significant bits in the PMDR: Link Status change bit is gated by the Link Status Change Wake Enable bit in the Configuration command. The Magic Packet bit is gated by the Magic Packet Wake-up disable bit in the Configuration command. The Interesting Packet bit is gated by the programmable filter command.	0	RO
3~0	Reserved			

ADMtek Incorporated  
 1F, No9, Industrial E. 9<sup>th</sup> Road  
 Science-Based Industrial Park  
 300 Hsinchu, Taiwan, R.O.C.

Version: 1.1

Tel:886-3-5788879 Fax: 886-3-5788871

ADMtek Incorporated Confidential

<http://www.admtek.com.tw>

**ADMtek Incorporated****ADM 9513****LAN/Modem Controller with Embedded Fast Ethernet PHY****CSR34 (offset = 10ch) – FFER, Function force event register**

Bit #	Name	Descriptions	Default Val	RW Type
31~16	Reserved		0	
15	INTA_FO RCE	This bit is used for interrupts. Writing 1b in this field will set the interrupt bit in the Function Event register. If the INTA# pin is not masked, then it will also be activate. Writing 0b has no effect.	0	R/W1S
14~5	Reserved		0	
4	GWAKE_ FORCE	This bit is used for general wake-up. Writing 1b in this field will set the CSTSCHG bit in the Function Event register. If the CSTSCHG pin is not masked, then it will also be activated. Writing 0b has no effect.	0	R/W1S
3~0	Reserved			

# ADMtek Incorporated

## ADM 9513

### LAN/Modem Controller with Embedded Fast Ethernet PHY



#### 8.2.2. Modem Control/Status registers

The base address of Modem Control/Status registers (MCSRs) are specified in Function 1 PCI configuration registers.

##### 8.2.2.1. Modem Control/Status registers list

offset from base address of MCSR	Index	Name	Descriptions
00h~3fh		ISA_Port[0..3F]	ISA mimic ports, ISA address space 0:3f
80h	MCSR1	MCR	Modem control register
88h	MCSR2	MSR	Modem status register
90h	MCSR3	GPIOR	GPIO control register
F0h	MCSR4	MFER	Modem function event register
F4h	MCSR5	MFMR	Modem function mask register
F8h	MCSR6	MFPR	Modem function present register
FCh	MCSR7	MFFER	Modem force function event register
100h~1FFh			Modem CIS area (load from EEPROM)

##### 8.2.2.2. Modem Control/Status registers description

###### ISA\_Port[0..3F] (offset = 00h~3Fh) – ISA mimic ports

The read/write access to ISA\_Ports is transparent to the ISA interface. Through these ports, the software can access the modem ports with ISA addressing space from 00h to 3Fh. The modem base I/O addressing is an 8-byte base access.

###### MCSR1 (offset = 80h) - MCR, MODEM control register

Bit #	Name	Descriptions	Default Val	RW Type
31-5	---	Reserved	0	
4	IOCHRDY_SEL	Select the polarity of IOCHRDY signal 0:IOCHRDY active high 1:IOCHRDY active low	0	R/W
3	---	Reserved	0	
2	LOR_EN	1 : Enable Wake-On-Ring from modem 0 : Disable Wake-On-Ring function	1	R/W

ADMtek Incorporated  
1F, No9, Industrial E. 9<sup>th</sup> Road  
Science-Based Industrial Park  
300 Hsinchu, Taiwan, R.O.C.

Version: 1.1

Tel:886-3-5788879 Fax: 886-3-5788871

ADMtek Incorporated Confidential

<http://www.admtek.com.tw>



# ADMtek Incorporated

## ADM 9513

### LAN/Modem Controller with Embedded Fast Ethernet PHY



1	CNTSM_CTL	This pin controls the CNTSM# signal 1: CNTSM# is active high 0: CNTSM# is active low	0	R/W
0	SW_RST	Modem reset 1: Assert ISA_RST signal to reset the modem chipset. This bit will be auto-cleared after 8 BCLK clocks	0	R/W

#### MCSR2 (offset = 88h) - MSR, MODEM status register

Bit #	Name	Descriptions	Default Val	RW Type
31-4	---	Reserved	0	
3	INTS	Interrupt status summary. It is an OR of bit 1 and bit 2	0	RO
2	GP2INT	GPIO2 interrupt status. 1 : an interrupt detected from GPIO2. Write 1 to clear this bit	0	R/W1C
1	GP1INT	GPIO1 interrupt status. 1 : an interrupt detected from GPIO1. Write 1 to clear this bit	0	R/W1C
0	---	Reserved	0	

#### MCSR3 (offset = 90h) - GPIOR, GPIO control register

Bit #	Name	Descriptions	Default Val	RW Type
31-10	---	Reserved	0	
9	GP2I_LA TCH	While interrupt occurred from GPIO2, this bit latched the GPIO2 polarity until next interrupt occurred.	0	RO
8	GP1I_LA TCH	While interrupt occurred from GPIO1, this bit latched the GPIO1 polarity until next interrupt occurred.	0	RO
7	GPIO2_O E	GPIO2 output enable 0: GPIO2 is used as output 1: GPIO2 is used as input	1	R/W
6	GPIO1_O E	GPIO1 output enable 0: GPIO1 is used as output 1: GPIO1 is used as input	1	R/W
5	GPIO2_O	GPIO2 output value	0	R/W

ADMtek Incorporated  
1F, No9, Industrial E. 9<sup>th</sup> Road  
Science-Based Industrial Park  
300 Hsinchu, Taiwan, R.O.C.

Version: 1.1

Tel:886-3-5788879 Fax: 886-3-5788871

ADMtek Incorporated Confidential

<http://www.admtek.com.tw>

# ADMtek Incorporated

## ADM 9513

### LAN/Modem Controller with Embedded Fast Ethernet PHY



		When GIOP2 is used as output, this value is driven to GPIO2 pin by software		
4	GPIO1_O	GPIO1 output value When GIOP1 is used as output, this value is driven to GPIO2 pin by software	0	R/W
3	GPIO2_I NT	GPIO2 input interrupt enable A polarity change from high to low, or from low to high will generate an interrupt to ADM9513	0	R/W
2	GPIO1_I NT	GPIO1 input interrupt enable A polarity change from high to low, or from low to high will generate an interrupt to ADM9513	0	R/W
1	GPIO2_I	GPIO2 input value When GPIO2 is used as input, this bit reflects the status of GPIO2 pin.	0	RO
0	GPIO1_I	GPIO1 input value When GPIO1 is used as input, this bit reflects the status of GPIO1 pin.	0	RO

#### MCSR4 (offset = F0h) – MFER, Modem function event register

Bit #	Name	Descriptions	Default Val	RW Type
31~16	Reserved		0	
15	INTR_EV ENT	This bit is used for as the interrupt bit. It is set when the HW_INT interrupt pin is asserted, regardless of the mask value. It is cleared when the OS writes 1b to this field and the interrupt source has been serviced. Writing 0b to this field has no effect.	0	RLH*/W 1C
14~5	Reserved		0	
4	GWAKE_ EVENT	This bit is used for general wake-up. It is set when the RING pin is asserted, regardless of the mask value. Writing 1b to this field clears this bit. Writing 0 to this field has no effect.	0	R/W1C
3~0	Reserved		0	

#### MCSR5 (offset = F4h) – MFMR, Modem function event mask register

Bit #	Name	Descriptions	Default Val	RW Type
31~16	Reserved		0	
15	INTR_EN	The bit is the interrupt mask. When this bit equals 0b, it	1	R/W

ADMtek Incorporated  
1F, No9, Industrial E. 9<sup>th</sup> Road  
Science-Based Industrial Park  
300 Hsinchu, Taiwan, R.O.C.

Version: 1.1

Tel:886-3-5788879 Fax: 886-3-5788871

ADMtek Incorporated Confidential

<http://www.admtek.com.tw>

# ADMtek Incorporated

## ADM 9513

### LAN/Modem Controller with Embedded Fast Ethernet PHY



		masks the HW_INT interrupt function INTA# line but has no effect on the Function Event register. The interrupt mask bit affects the INTA# masking.		
14	WKUP_EN	This bit is the wake-up mask. When this bit equals 0b, it masks the CSTSCHG signal but has no effect on the Function Event register. This bit is dependent on bit 4 of this register.	0	R/W
13~5	Reserved		0	
4	GWAKE_EN	This bit is the general wake-up mask. When this bit equals 0b, it masks the RING pin wake-up events towards the CSTSCHG signal. It has no effect on the Function Event register. The ADM9513 can assert the CSTSCHG signal in the following configuration of masked bits: wake-up bit AND general wake-up bit, or PME Enable bit in the PMCSR register only.	0	R/W
3~0	Reserved		0	

#### MCSR6 (offset = F8h) – MFPR, Modem function present state register

Bit #	Name	Descriptions	Default Val	RW Type
31~16	Reserved		0	
15	INTR_STATUS	This bit is used for interrupts. It reflects the current state of the HW_INT interrupt status regardless of the mask value. It is set when the HW_INT interrupt has a pending interrupt and cleared when the software driver acknowledges all active interrupts	0	RO
14~5	Reserved		0	
4	WAKEUP_STATUS	This bit is used for general wake-up. It reflects the current state of the RING status from the modem.	0	RO
3~0	Reserved		0	

#### MCSR7 (offset = FCh) – MFFER, Modem function force event register

Bit #	Name	Descriptions	Default Val	RW Type
31~16	Reserved			
15	INTA_FORCE	This bit is used for interrupts. Writing 1b in this field will set the interrupt bit in the Function Event register. If the INTA# pin is not masked, then it will also be activate. Writing 0b has no effect.	0	W
14~5	Reserved			

ADMtek Incorporated  
 1F, No9, Industrial E. 9<sup>th</sup> Road  
 Science-Based Industrial Park  
 300 Hsinchu, Taiwan, R.O.C.

Version: 1.1

Tel:886-3-5788879 Fax: 886-3-5788871

ADMtek Incorporated Confidential

<http://www.admtek.com.tw>

***ADMtek Incorporated******ADM 9513*****LAN/Modem Controller with Embedded Fast Ethernet PHY**

4	GWAKE_FORCE	This bit is used for general wake-up. Writing 1b in this field will set the CSTSCHG bit in the Function Event register. If the CSTSCHG pin is not masked, then it will also be activated. Writing 0b has no effect.	0	W
3~0	Reserved			

**ADMtek Incorporated****ADM 9513****LAN/Modem Controller with Embedded Fast Ethernet PHY****8.3. Transceiver (XCVR) Registers**

The Transceiver registers are accessed from CSR9 MDI/MMC/MDO/MDC

**8.3.1. Transceiver registers list**

Register	Description	Default
0	Control Register	1000
1	Status Register	7849
2	PHY Identifier 1 Register	0022
3	PHY Identifier 2 Register	5513
4	Auto-Negotiation Advertisement Register	01E1
5	Auto-Negotiation Link Partner Ability Register	0001
6	Auto-Negotiation Expansion Register	0004
7	Next Page Advertisement Register	2001
8-15	Reserved	XXXX
16	TDK specific Register	0540
17	Interrupt Control/Status Register	0000
18	Diagnostic Register	0000
19	Power Management & Loopback Register	0020
20	Loopback and Power management Register	XXFX
21	Mode Control Register	0304
22	Reserved	XXXX
23	PLL Lock Register	0000
24	Receive Error Counter Register	0000
25-31	Reserved	XXXX

# ADMtek Incorporated

## ADM 9513

### LAN/Modem Controller with Embedded Fast Ethernet PHY



### 8.3.2. Transceiver registers description

Legend:

Type	Description	Type	Description
RW	Readable and writable	RO	Read Only
SC	Self Clearing	RC	Cleared on the read operation
LL	Latch Low until clear	LH	Latch high until clear

#### Register 0: Control Register

Reg.bit	Name	Description	Mode	Default
0.15	Reset	1 = PHY reset. This bit is self-clearing.	RW/SC	0
0.14	Loopback	1 = Enable loopback mode. This will loopback TXD to RXD, thus it will ignore all the activity on the cable media. 0 = Normal operation.	RW	0
0.13	Speed Select	1 = 100Mbps, 0 = 10Mbps. This bit will be ignored if Auto Negotiation is enabled (0.12=1).	RW	1
0.12	Auto-Neg. Enable	1 = Enable auto-negotiate process (overrides 0.13 and 0.8) 0 = Disable auto-negotiate process.	RW	1
0.11	Power Down	1 = Power down. ADM9513 will shut off all blocks except for MDIO/MDC interface. 0 = Normal operation.	RW	0
0.10	Isolate	1 = Electrically isolate the PHY from MII. However, PHY is still able to response to MDC/MDIO. 0 = Normal operation.	RW	0
0.9	Restart Auto-Negotiation	1 = Restart Auto-Negotiation process. 0 = Normal operation.	RW/SC	0
0.8	Duplex Mode	1 = Full duplex. 0 = Half duplex. If Auto-Neg. enabled: This bit is writable but will be ignored.	RW	0
0.7	Collision	1 = Enable collision test, which issues the COL	RW	0

ADMtek Incorporated  
1F, No9, Industrial E. 9<sup>th</sup> Road  
Science-Based Industrial Park  
300 Hsinchu, Taiwan, R.O.C.

Version: 1.1

Tel:886-3-5788879 Fax: 886-3-5788871

ADMtek Incorporated Confidential

<http://www.admtek.com.tw>

**ADMtek Incorporated****ADM 9513****LAN/Modem Controller with Embedded Fast Ethernet PHY**

Reg.bit	Name	Description	Mode	Default
	Test	signal in response to the assertion of TX_EN signal. 0 = disable COL test.		
0.[6:0]	Reserved		RW	0000000

**Register 1: Status Register**

Reg.bit	Name	Description	Mode	Default
1.15	100Base-T4	Permanently tied to zero indicates no 100BaseT4 capability.	RO	0
1.14	100Base-TX Full Duplex	1 = 100BaseTX with full duplex. 0 = No 100BaseTX full duplex ability.	RO	1
1.13	100Base-TX Half Duplex	1 = 100BaseTX with half duplex. 0 = No TX half-duplex ability.	RO	1
1.12	10Base-T Full Duplex	1 = 10BaseT with full duplex. 0 = No 10BaseT full duplex ability.	RO	1
1.11	10Base-T Half Duplex	1 = 10BaseT with half duplex. 0 = No 10BaseT half-duplex ability.	RO	1
1.[10:6]	Reserved		RO	00000
1.5	Auto-Negotiate Complete	1 = Auto-negotiate process completed. Reg. 4, 5, 6 are valid after this bit is set. 0 = Auto-negotiate process not completed.	RO	0
1.4	Remote Fault	1 = Remote fault condition detected. 0 = No remote fault. This bit will remain set until it is cleared by reading register 1 via management interface.	RO/LH	0
1.3	Auto-Negotiate Ability	1 = Able to perform Auto-Negotiation function, its value is determined by ANEGA pin. 0 = Unable to perform Auto-Negotiation function.	RO	1
1.2	Link Status	1 = Link is established. This is Latched bit. Therefore, if ADM9513 link failed, this bit will be cleared and remain "0" until register is read again via management interface. 0 = link is down.	RO/LL	0
1.1	Jabber Detect	1 = Jabber condition detect. 0 = No Jabber condition detected.	RO/LH	0
1.0	Extended	1 = Extended register capable. This bit is tied	RO	1

ADMtek Incorporated  
1F, No9, Industrial E. 9<sup>th</sup> Road  
Science-Based Industrial Park  
300 Hsinchu, Taiwan, R.O.C.

Version: 1.1

Tel:886-3-5788879 Fax: 886-3-5788871

*ADMtek Incorporated Confidential**<http://www.admtek.com.tw>*

**ADMtek Incorporated****ADM 9513****LAN/Modem Controller with Embedded Fast Ethernet PHY**

	Capability	permanently to one.		
--	------------	---------------------	--	--

**Register 2: PHY Identifier 1 Register**

Reg.bit	Name	Description	Mode	Default
2.[15:0]	OUI	Composed of the 3rd through 18th bits of the Organizationally Unique Identifier (OUI), respectively.	RO	0382(H)

**Register 3: PHY Identifier 2 Register**

Reg.bit	Name	Description	Mode	Default
3.[15:10]	OUI	Assigned to the 19th through 24th bits of the OUI.	RO	010010
3.[9:4]	Model Number	Six bit manufacturer's model number.	RO	000001
3.[3:0]	Revision Number	Four-bit manufacturer's revision number.	RO	0000

**Register 4: Auto-Negotiation Advertisement Register**

Reg.bit	Name	Description	Mode	Default
4.15	Next Page	1 = Next Page enabled. 0 = Next Page disabled.	RW	0
4.14	Acknowledge	This bit will be set internally after receiving 3 consecutive and consistent FLP bursts.	RO	0
4.13	Remote Fault	1 = Advertises that this device has detected a Remote Fault. 0 = No remote fault detected.	RW	0
4.[12:10]	Reserved	For future technology.	RW	000
4.9	100Base-T4	ADM9513 doesn't support 100BaseT4 function, i.e., this bit ties to zero.	RO	0
4.8	100Base-TX Full Duplex	1 = 100BaseTX full duplex supported by Local device. 0 = 100BaseTX full duplex not supported by Local device. Default is set by Reg. 1.14.	RW	1
4.7	100Base-TX	1 = 100BaseTX supported by Local device. 0 = 100BaseTX not supported by Local device. Default is set by Reg. 1.13.	RW	1
4.6	10Base-T Full	1 = 10Mbps full duplex supported by Local device. 0 = 10Mbps full duplex not supported by Local	RW	1

ADMtek Incorporated  
1F, No9, Industrial E. 9<sup>th</sup> Road  
Science-Based Industrial Park  
300 Hsinchu, Taiwan, R.O.C.

Version: 1.1

Tel:886-3-5788879 Fax: 886-3-5788871

*ADMtek Incorporated Confidential**<http://www.admtek.com.tw>*



**ADMtek Incorporated****ADM 9513****LAN/Modem Controller with Embedded Fast Ethernet PHY**

	Duplex	device. Default is set by Reg. 1.12.		
4.5	10Base-T	1 = 10Mbps supported by Local device. 0 = 10Mbps not supported by Local device. Default is set by Reg. 1.11.	RW	1
4.[4:0]	Selector Field	Protocol Selection [00001] = IEEE 802.3.	RW	00001

**Register 5: Auto-Negotiation Link Partner Ability Register**

Reg.bit	Name	Description	Mode	Default
5.15	Next Page	1 = Link partner desires Next Page transfer. 0 = Link partner does not desire Next Page transfer.	RO	0
5.14	Acknowledge	1 = Link Partner acknowledges reception of FLP words. 0 = No acknowledged by Link Partner.	RO	0
5.13	Remote Fault	1 = Remote Fault indicated by Link Partner. 0 = No remote fault detected by Link Partner.	RO	0
5.[12:10]	Reserved	For future technology.	RO	000
5.9	100Base-T4	1 = 100BaseT4 supported by Link Partner. 0 = 100BaseT4 not supported by Link Partner.	RO	0
5.8	100Base-TX Full Duplex	1 = 100BaseTX full duplex supported by Link Partner. 0 = 100BaseTX full duplex not supported by Link Partner.	RO	0
5.7	100Base-TX	1 = 100BaseTX supported by Link Partner. 0 = 100BaseTX not supported by Link Partner.	RO	0
5.6	10Base-T Full Duplex	1 = 10Mbps full duplex supported by Link Partner. 0 = 10Mbps full duplex not supported by Link Partner.	RO	0
5.5	10Base-T	1 = 10Mbps supported by Link Partner. 0 = 10Mbps not supported by Link Partner.	RO	0
5.[4:0]	Selector Field	Protocol Selection [00001] = IEEE 802.3.	RO	00001

**Register 6: Auto Negotiation Expansion Register**

Reg.bit	Name	Description	Mode	Default
6.[15:5]	Reserved		RO	0
6.4	Parallel Detection	1 = Fault detected by parallel detection logic, this fault is due to more than one technology detecting	RO/LH	0

ADMtek Incorporated  
1F, No9, Industrial E. 9<sup>th</sup> Road  
Science-Based Industrial Park  
300 Hsinchu, Taiwan, R.O.C.

Version: 1.1

Tel:886-3-5788879 Fax: 886-3-5788871

*ADMtek Incorporated Confidential**<http://www.admtek.com.tw>*

# ADMtek Incorporated

## ADM 9513

### LAN/Modem Controller with Embedded Fast Ethernet PHY



Reg.bit	Name	Description	Mode	Default
	Fault	concurrent link up condition. This bit can be only cleared by reading this register using the management interface. 0 = No fault detected by parallel detection logic.		
6.3	Link Partner Next Page Able	1 = Link partner support next page function. 0 = Link partner does not support next page function.	RO	0
6.2	Next Page Able	Next page is supported, i.e., this bit is permanently ties to 1.	RO	1
6.1	Page Received	It is set when a new link code word has been received into the Auto-Negotiation Link Partner Ability Register. This bit is cleared upon a read of this register.	RO	0
6.0	Link Partner Auto-Negotiation Able	1 = Link partner is Auto-Negotiation capable. 0 = Link partner is not Auto-Negotiation capable.	RO	0

#### Register 7: Auto Negotiation Next Page Transmit Register (ANNPTR)

Reg.bit	Name	Description	Mode	Default
7.15	NP	Next page indication: 1 = Another Next Page desired. 0 = No other Next Page Transfer desired.	RW	0
7.14	Reserved	-	RO	0
7.13	MP	Message page: 1 = Message page. 0 = Un-formatted page.	RW	1
7.12	ACK2	Acknowledge 2 1 = Will comply with message. 0 = Can not comply with message.	RW	0
7.11	TOG_TX	Toggle: 1 = Previous value of transmitted link code word equals to 0. 0 = Previous value of transmitted link code word equals to 1.	RW	0
17.[10:0]	CODE	Message/Un-formatted Code Field.	RW	001

#### Register 16: ADM9513 Specific Register

ADMtek Incorporated  
1F, No9, Industrial E. 9<sup>th</sup> Road  
Science-Based Industrial Park  
300 Hsinchu, Taiwan, R.O.C.

Version: 1.1

Tel:886-3-5788879 Fax: 886-3-5788871

*ADMtek Incorporated Confidential*

*<http://www.admtek.com.tw>*

**ADMtek Incorporated****ADM 9513****LAN/Modem Controller with Embedded Fast Ethernet PHY**

Reg.bit	Name	Description	Mode	Default
16.15	Repeater	1= Repeater mode, full-duplex will be inactive, and CRS only responses to receive activity. SQE test function is also disabled.	RW	Set by RPTR
16.14	INTR_LE VL	INTR pin will be active high if this register bit is set to 1. INTR pin will be active low if this register bit is set to 0.	RW	0
16.[13:12]	Reserved		RW	00
16.11	SQE Test Inhibit	1 = Disable 10BaseT SQE testing. 0 = Enable 10BaseT SQE testing, which will generate a COL pulse following the completion of a packet transmission.	RW	0
16.10	10BaseT Loopback	1 = Enable normal loopback in 10BaseT mode. 0 = Disable normal loopback in 10BaseT mode.	RW	1
16.[9:6]	Reserved	.	RO	0000
16.5	Auto polarity Disable	1 = Disable auto polarity detection / correction. 0 = Enable auto polarity detection / correction.	RW	0
16.4	Reverse Polarity	If Reg. 16.5 is set to 0, and Reverse polarity is detected on the media, this bit will get set to 1. If Reg. 16.5 is set to 1, writing a one to this bit will reverse the polarity of the transmitter. Note: the reverse polarity is detected either through 8 inverted NLPs or through a burst of inverted FLP.	RW	0
16.[3:1]	Reserved		RO	000
16.0	Receive Clock Control	Write a one to this bit will shut off RX_CLK when incoming data is not present. RX_CLK will resume active 1 clock cycle prior to RX_DV goes high, and shut off 64 clock cycles after RX_DV goes low. However, in loopback and PCS bypassed modes, writing to this bit does not affect RX_CLK. Receive clock will be active all the time.	RW	0

**Register 17: Interrupt Control/Status Register**

Reg.bit	Name	Description	Mode	Default
17.15	Jabber_IE	Jabber Interrupt Enable.	RW	0
17.14	Rx_Er_IE	Receive Error Interrupt Enable.	RW	0

ADMtek Incorporated  
1F, No9, Industrial E. 9<sup>th</sup> Road  
Science-Based Industrial Park  
300 Hsinchu, Taiwan, R.O.C.

Version: 1.1

Tel:886-3-5788879 Fax: 886-3-5788871

*ADMtek Incorporated Confidential**<http://www.admtek.com.tw>*

**ADMtek Incorporated****ADM 9513****LAN/Modem Controller with Embedded Fast Ethernet PHY**

17.13	Page_Rx_I E	Page Received Interrupt Enable.	RW	0
17.12	PD_Fault_I E	Parallel Detection Fault Interrupt Enable.	RW	0
17.11	LP_Ack_I E	Link Partner Acknowledge Interrupt Enable.	RW	0
17.10	Link_Not_ OK_IE	Link Status Not OK Interrupt Enable.	RW	0
17.9	R_Fault_IE	Remote Fault Interrupt Enable.	RW	0
17.8	ANeg_Co mp_IE	Auto-Negotiation Complete Interrupt Enable.	RW	0
17.7	Jabber_Int	This bit is set when a jabber event is detected.	RC	0
17.6	Rx_Er_Int	This bit is set when RX_ER transitions high.	RC	0
17.5	Page_Rx_I nt	This bit is set when a new page is received from link partner during Auto-Neg.	RC	0
17.4	PD_Fault_I nt	This bit is set when parallel detect fault is detected.	RC	0
17.3	LP_Ack_In t	This bit is set when the FLP with acknowledge bit set is received.	RC	0
17.2	Link_Not_ OK Int	This bit is set when link status switches from OK status to Non-OK status (Fail or Ready).	RC	0
17.1	R_Fault_In t	This bit is set when remote fault is detected.	RC	0
17.0	A_Neg_Co mp Int	This bit is set when Auto-Neg is complete.	RC	0

\* See Interrupt Source Table for bit assignments

**Register 18: Diagnostic Register**

Reg.bit	Name	Description	Mode	Default
18.[15:12]	Reserved		RO	0000
18.11	DPLX	This bit indicates the result of the Auto-Neg for duplex arbitration.	RO	0
18.10	Speed	This bit indicates the result of the Auto-Neg for data speed arbitration.	RO	0
18.9	RX_PASS	In 10BT mode, this bit indicates that Manchester data has been detected. In 100BT mode, it indicates valid signal has been received but not necessarily locked on to.	RO	0

ADMtek Incorporated  
1F, No9, Industrial E. 9<sup>th</sup> Road  
Science-Based Industrial Park  
300 Hsinchu, Taiwan, R.O.C.

Version: 1.1

Tel:886-3-5788879 Fax: 886-3-5788871

*ADMtek Incorporated Confidential*

*<http://www.admtek.com.tw>*

# ADMtek Incorporated

## ADM 9513

### LAN/Modem Controller with Embedded Fast Ethernet PHY



Reg.bit	Name	Description	Mode	Default
18.8	RX_LOCK	Indicates the receive PLL has locked onto the received signal for the selected speed of operation (10Base-T or 100Base-TX). This bit is set whenever a cycle-slip occurs, and will remain set until it is read.	RO/SC	0
18.[7:0]	Reserved		RO	0

#### Register 19: Power/Loopback Register

Reg.bit	Name	Description	Mode	Default
19.[14:7]	Reserved		RW	00
19.6	TP125	Transmit transformer ratio selection 1 = 1.25:1 0 = 1:1	RW	0
19.5	Low Power Mode	1 = Enable advanced power saving mode. 0 = Disable advanced power saving mode.	RW	1
19.4	Test Loopback	1 = Enable test loopback. Data will be transmitted from MII interface to clock recovery and loopback to MII received data.	RW	0
19.3	Digital loopback	1 = Enable loopback. 0 = Normal operation.	RW	0
19.2	LP_LPBK	1 = Enable link pulse loopback. 0 = Normal operation.	RW	0
19.1	NLP Link Integrity Test	1 = In Auto-Neg test mode, send NLP instead of FLP in order to test NLP receive integrity. 0 = Sending FLP in Auto-Neg test mode.	RW	0
19.0	Reduce Timer	1 = Reduce time constant for Auto-Negotiation timer. 0 = Normal operation.	R	0

#### Register 20: Loopback and Power Management Register

Reg.bit	Name	Description	Mode	Default
20.[15:8]	Reserved		RO	0
20.[7:4]	Cable measurement capability	These bits can be used as cable length indicator. The bits are incremented from 0000 to 1111, with an increment of approximately 10 meters. The equivalent is 0 to 32 dB with an increment of 2 dB @ 100MHz. The value is a read back from the equalizer, and the measured value is not absolute.	RO	0

ADMtek Incorporated  
1F, No9, Industrial E. 9<sup>th</sup> Road  
Science-Based Industrial Park  
300 Hsinchu, Taiwan, R.O.C.

Version: 1.1

Tel:886-3-5788879 Fax: 886-3-5788871

ADMtek Incorporated Confidential

<http://www.admtek.com.tw>

# ADMtek Incorporated

## ADM 9513

### LAN/Modem Controller with Embedded Fast Ethernet PHY



20.[3:0]	Reserved		RO	0
----------	----------	--	----	---

#### Register 21: Mode Control Register

Reg.bit	Name	Description	Mode	Default
21.15	Reserved		RO	0
21.14	NLP Disable	1 = Force 10B-T link up without checking NLP. 0 = Normal Operation.	RW	0
21.13	Force_link up	1 = force link up , auto negotiation must be disabled at this time	R/W	0
21.12	Jabber Disable	1 = Disable Jabber function in PHY. 0 = Enable Jabber function in PHY.	RW	0
21.11	10BT_Sel	1 = Enable 7-wire interface for 10Base-T operation. This bit is useful only when the chip is not in PCS bypass mode. 0 = Normal operation.	RW	0
21.[10:9]	Reserved		RO	0
21.8	FEF_Disable	1 = Enable far-end-fault generation and detection function. 0 = Disable far-end-fault.	RW	Set by TECH FX_SEL ANEGA
21.7	Force FEF Transmit	This bit is set to force to transmit Far End Fault (FEF) pattern.	RW	0
21.6	Rx_Er_Cnt Full	When Receive Error Counter is full, this bit will get set to one.	RO/ RC	0
21.5	Disable Rx_Er_Cnt	1 = Disable Receive Error Counter. 0 = Enable Receive Error Counter.	RW	0
21.4	Dis_WDT	1 = Disable the watchdog timer in the decipher. 0 = Enable watchdog timer.	RW	0
21.3	En_RPBK	1 = Enable remote loopback. 0 = Disable remote loopback.	RW	0
21.2	Dis_Scrm	1 = Enable data scrambling. 0 = Disable data scrambling. When FX mode is selected, this bit will be forced to one.	RW	1
21.[1:0]	Reserved		RO	

#### Register 23: PLL Lock Register

Reg.bit	Name	Description	Mode	Default
---------	------	-------------	------	---------

ADMtek Incorporated  
1F, No9, Industrial E. 9<sup>th</sup> Road  
Science-Based Industrial Park  
300 Hsinchu, Taiwan, R.O.C.

Version: 1.1

Tel:886-3-5788879 Fax: 886-3-5788871

ADMtek Incorporated Confidential

<http://www.admtek.com.tw>

**ADMtek Incorporated****ADM 9513****LAN/Modem Controller with Embedded Fast Ethernet PHY**

23.[15:0]	DLOCK drop counter	Count PLL lock drop events.	RW	0000
-----------	--------------------------	-----------------------------	----	------

**Register 24: Receive Error Counter Register**

Reg.bit	Name	Description	Mode	Default
24.[15:0]	RX_ER counter	Count receive error events.	RW	0000

# ADMtek Incorporated

## ADM 9513

### LAN/Modem Controller with Embedded Fast Ethernet PHY



## 8.4.Descriptors and Buffer Management

The ADM9513 provides receive and transmit descriptors for packet buffering and management.

### 8.4.1. Receive descriptor

#### 8.4.1.1. Receive descriptor table

	31				0
RDES0	Own	Status			
RDES1	---	Control	Buffer2 byte-count	Buffer1 byte-count	
RDES2	Buffer1 address (DW boundary)				
RDES3	Buffer2 address (DW boundary)				

Descriptors and receive buffers addresses must be double word alignment

#### 8.4.1.2. Receive descriptor description

##### RDES0

Bit #	Name	Descriptions
31	OWN	Own bit 1: indicate the new receiving data can be put into this descriptor 0: Host does not move the receiving data out yet.
30-16	FL	Frame length, including CRC. This field is valid only in last descriptor
15	ES	Error summary, OR of the following bit 0: overflow 1: CRC error 6: late collision 7: frame too long 11: runt packet 14: descriptor error This field is valid only in last descriptor.
14	DE	Descriptor error. This bit is valid only in last descriptor 1: the current receiving packet is not able to put into the current valid descriptor. This packet is truncated.
13-12	DT	Data type. 00: normal 01: MAC loop-back

ADMtek Incorporated  
1F, No9, Industrial E. 9<sup>th</sup> Road  
Science-Based Industrial Park  
300 Hsinchu, Taiwan, R.O.C.

Version: 1.1

Tel:886-3-5788879 Fax: 886-3-5788871

ADMtek Incorporated Confidential

<http://www.admtek.com.tw>



**ADMtek Incorporated****ADM 9513****LAN/Modem Controller with Embedded Fast Ethernet PHY**

		10: Transceiver loop-back 11: remote loop-back These bits are valid only in last descriptor
11	RF	Runt frame (packet length < 64 bytes). This bit is valid only in last descriptor
10	MF	Multicast frame. This bit is valid only in last descriptor
9	FS	First descriptor.
8	LS	Last descriptor.
7	TL	Too long packet (packet length > 1518 bytes). This bit is valid only in last descriptor
6	CS	Late collision. Set when collision is active after 64 bytes. This bit is valid only in last descriptor
5	FT	Frame type. This bit is valid only in last descriptor. 1: Ethernet type 0: 802.3 type
4	RW	Receive watchdog (refer to CSR15, bit 4). This bit is valid only in last descriptor.
3	reserved	Default = 0
2	DB	Dribble bit. This bit is valid only in last descriptor Packet length is not integer multiple of 8-bit.
1	CE	CRC error. This bit is valid only in last descriptor
0	OF	Overflow. This bit is valid only in last descriptor

**RDES1**

Bit #	Name	Descriptions
31~26	---	reserved
25	RER	Receive end of ring indicates this descriptor is last, return to base address of descriptor
24	RCH	Second address chain Use for chain structure. Indicates the buffer2 address is the next descriptor address. Ring mode takes precedence over chained mode
23~22	---	reserved
21~11	RBS2	Buffer 2 size (DW boundary)
10~0	RBS1	Buffer 1 size (DW boundary)

**RDES2**

Bit #	Name	Descriptions
31~0	RBA1	Receive Buffer Address 1. This buffer address should be double word aligned.

**RDES3**

ADMtek Incorporated  
1F, No9, Industrial E. 9<sup>th</sup> Road  
Science-Based Industrial Park  
300 Hsinchu, Taiwan, R.O.C.

Version: 1.1

Tel:886-3-5788879 Fax: 886-3-5788871

*ADMtek Incorporated Confidential**<http://www.admtek.com.tw>*

***ADMtek Incorporated******ADM 9513*****LAN/Modem Controller with Embedded Fast Ethernet PHY**

---

Bit #	Name	Descriptions
31~0	RBA2	Receive Buffer Address 2. This buffer address should be double word aligned.

**ADMtek Incorporated****ADM 9513****LAN/Modem Controller with Embedded Fast Ethernet PHY****8.4.2. Transmit descriptor****8.4.2.1. Transmit descriptor table**

	31			0
TDES0	Own	Status		
TDES1	Control		Buffer2 byte-count	Buffer1 byte-count
TDES2	Buffer1 address			
TDES3	Buffer2 address			

Descriptor addresses must be double word alignment

**8.4.2.2. Transmit descriptor description****TDES0**

Bit #	Name	Descriptions
31	OWN	Own bit 1: Indicate this descriptor is ready to transmit 0: No transmit data in this descriptor for transmission
30-24	---	Reserved
23-22	UR	Under-run count
21-16	---	Reserved
15	ES	Error summary, OR of the following bit 1: under-run error 8: excessive collision 9: late collision 10: no carrier 11: loss carrier 14: jabber time-out
14	TO	Transmit jabber time-out
13-12	-----	Reserved
11	LO	Loss carrier
10	NC	No carrier
9	LC	Late collision
8	EC	Excessive collision
7	HF	Heartbeat fail
6-3	CC	Collision count

ADMtek Incorporated

1F, No9, Industrial E. 9<sup>th</sup> Road

Science-Based Industrial Park

300 Hsinchu, Taiwan, R.O.C.

Tel:886-3-5788879 Fax: 886-3-5788871

*ADMtek Incorporated Confidential*

*<http://www.admtek.com.tw>*

Version: 1.1

**ADMtek Incorporated****ADM 9513****LAN/Modem Controller with Embedded Fast Ethernet PHY**

2	-----	Reserved
1	UF	Under-run error
0	DE	Deferred

**TDES1**

Bit #	Name	Descriptions
31	IC	Interrupt completed
30	LS	Last descriptor
29	FS	First descriptor
28,27	---	Reserved
26	AC	Disable add CRC function
25	TER	End of Ring
24	TCH	2nd address chain Indicate the buffer2 address is the next descriptor address
23	DPD	Disable padding function
22	---	Reserved
21-11	TBS2	Buffer 2 size
10-0	TBS1	Buffer 1 size

**TDES2**

Bit #	Name	Descriptions
31~0	BA1	Buffer Address 1. Without any limitation on the transmission buffer address.

**TDES3**

Bit #	Name	Descriptions
31~0	BA2	Buffer Address 2. Without any limitation on the transmission buffer address.

**9. Functional Descriptions****9.1. Initialization Flow**

The flow of initialize ADM9513 is shown as below:

ADMtek Incorporated  
 1F, No9, Industrial E. 9<sup>th</sup> Road  
 Science-Based Industrial Park  
 300 Hsinchu, Taiwan, R.O.C.

Version: 1.1

Tel:886-3-5788879 Fax: 886-3-5788871

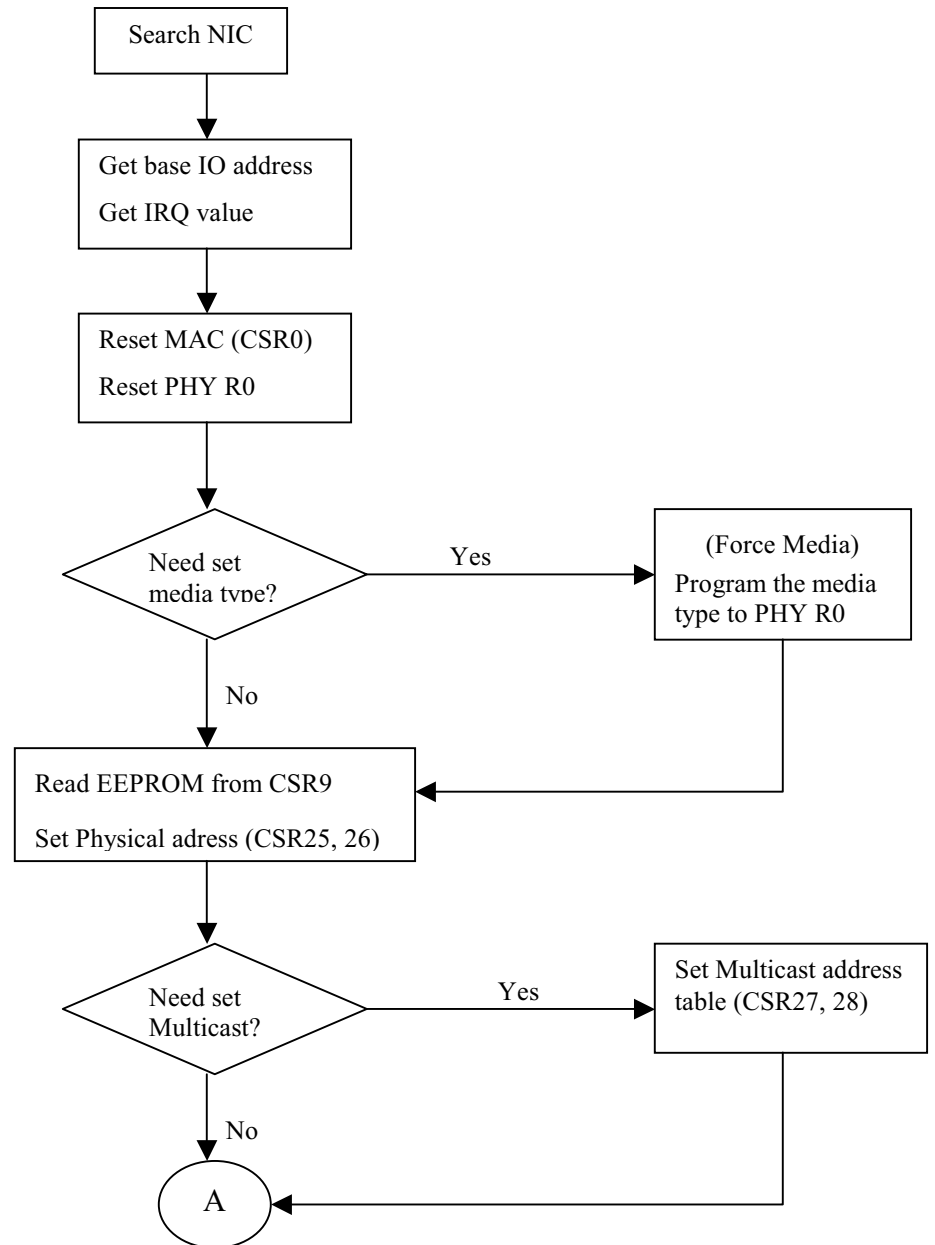
*ADMtek Incorporated Confidential*

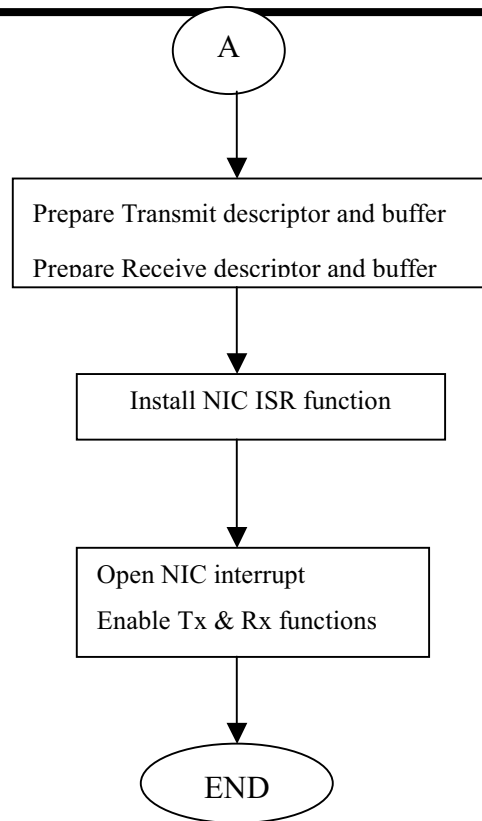
*<http://www.admtek.com.tw>*

# ADMtek Incorporated

## ADM 9513

### LAN/Modem Controller with Embedded Fast Ethernet PHY



**ADMtek Incorporated****ADM 9513****LAN/Modem Controller with Embedded Fast Ethernet PHY**

# *ADMtek Incorporated*

## *ADM 9513*

### LAN/Modem Controller with Embedded Fast Ethernet PHY



---

## 9.2. Network Packet Buffer Management

### 9.2.1. Descriptor structure types

For networking operation, the ADM9513 transmits the data packet from transmit buffers in host memory to ADM9513's transmit FIFO and receives the data packet from ADM9513's receive FIFO to receive buffers in host memory. The descriptors that the ADM9513 supports to build in host memory are used as the pointers of these transmit and receive buffers.

There are two structure types for the descriptor, **Ring and Chain**, supported by the ADM9513 and are shown as below. The type selection is controlled by the bit24 of RDES1 and the bit24 of TDES1.

The transmit and receive buffers are physically built in host memory. Any buffer can contain either a whole packet or just part of a packet. But it can't contain more than one packet.

# ADMtek Incorporated

## ADM 9513

LAN/Modem Controller with Embedded Fast Ethernet PHY



### Ring structure:

There are two buffers per descriptor in the ring structure. Support receive early interrupt.

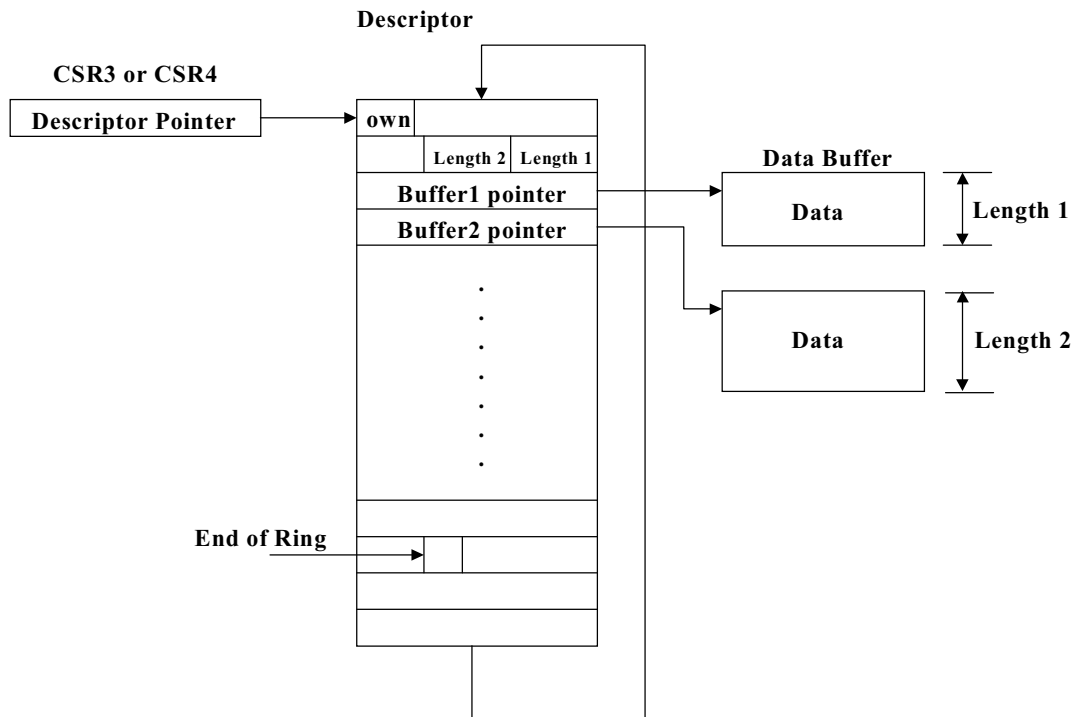


Figure 4 Ring structure of frame buffer



# ADMtek Incorporated

## ADM 9513

### LAN/Modem Controller with Embedded Fast Ethernet PHY



#### Chain structure:

There is only one buffer per descriptor in chain structure.

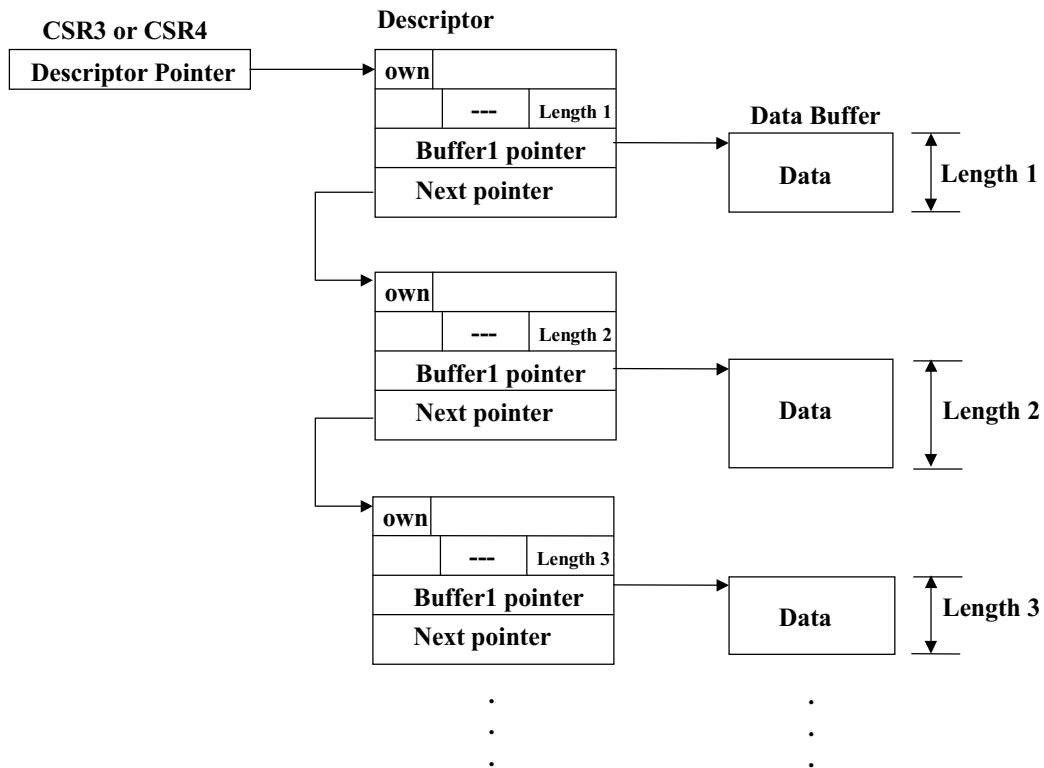


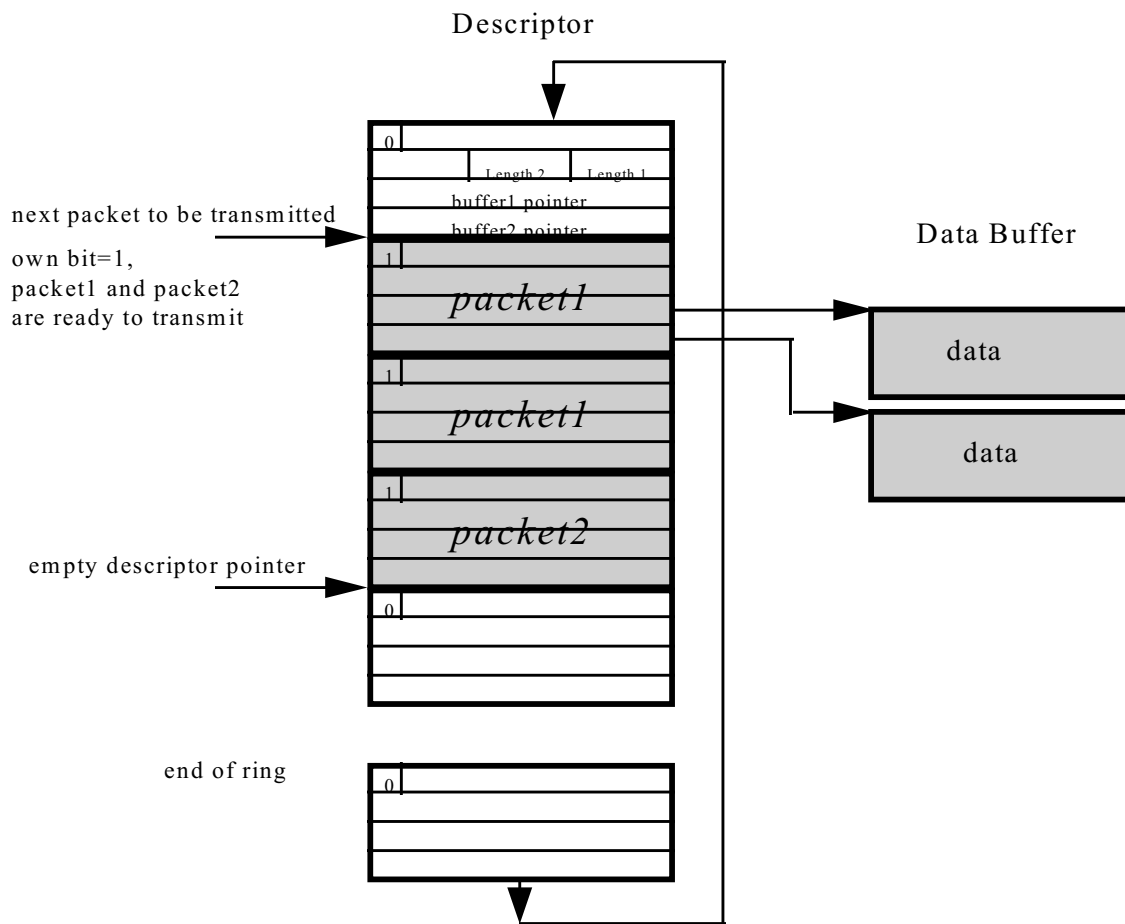
Figure 5 Chain structure of frame buffer

### 9.2.2. The point of descriptor management

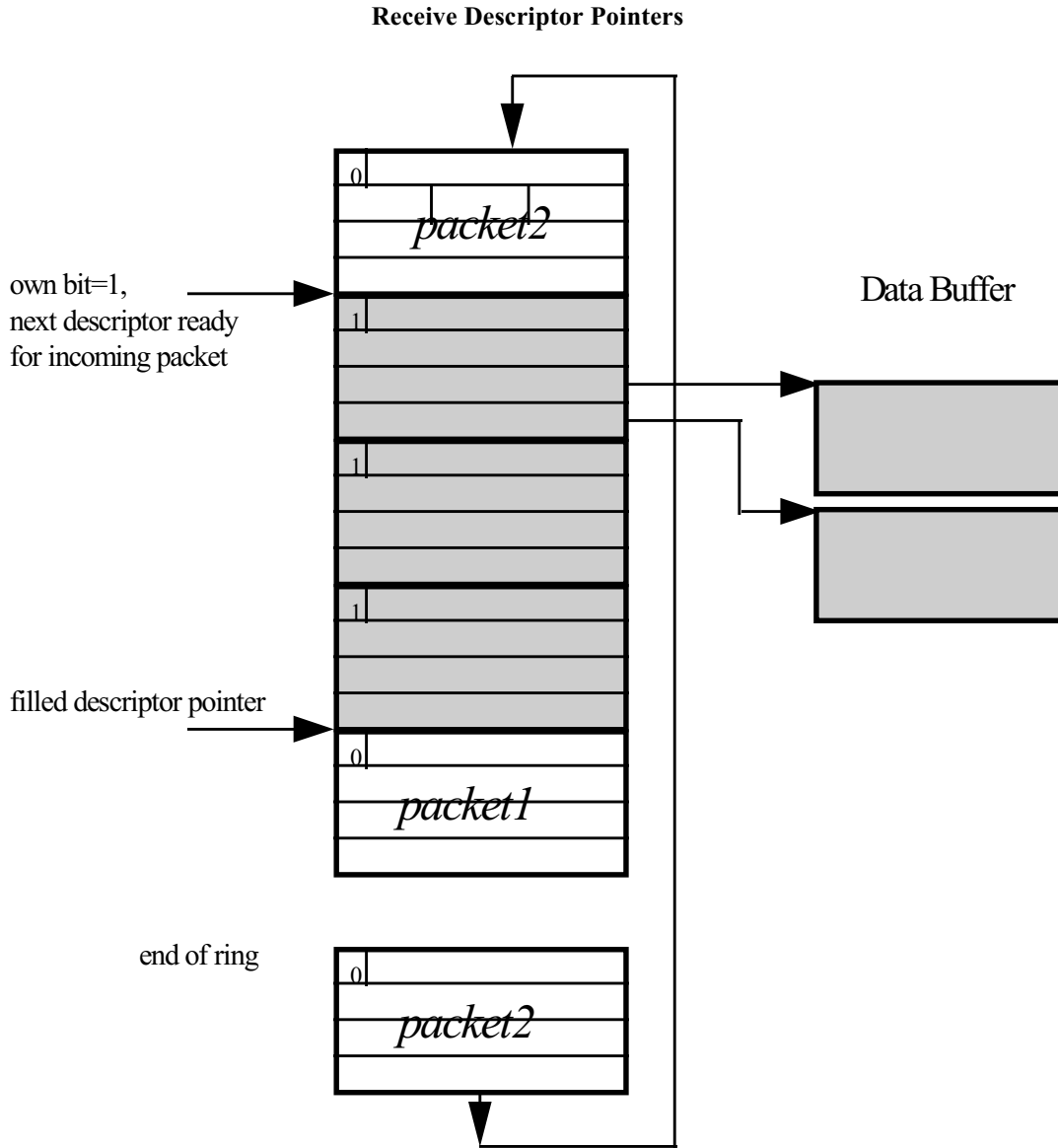
OWN bit = 1, ready for network side access

OWN bit = 0, ready for host side access

- Transmit Descriptor Pointers



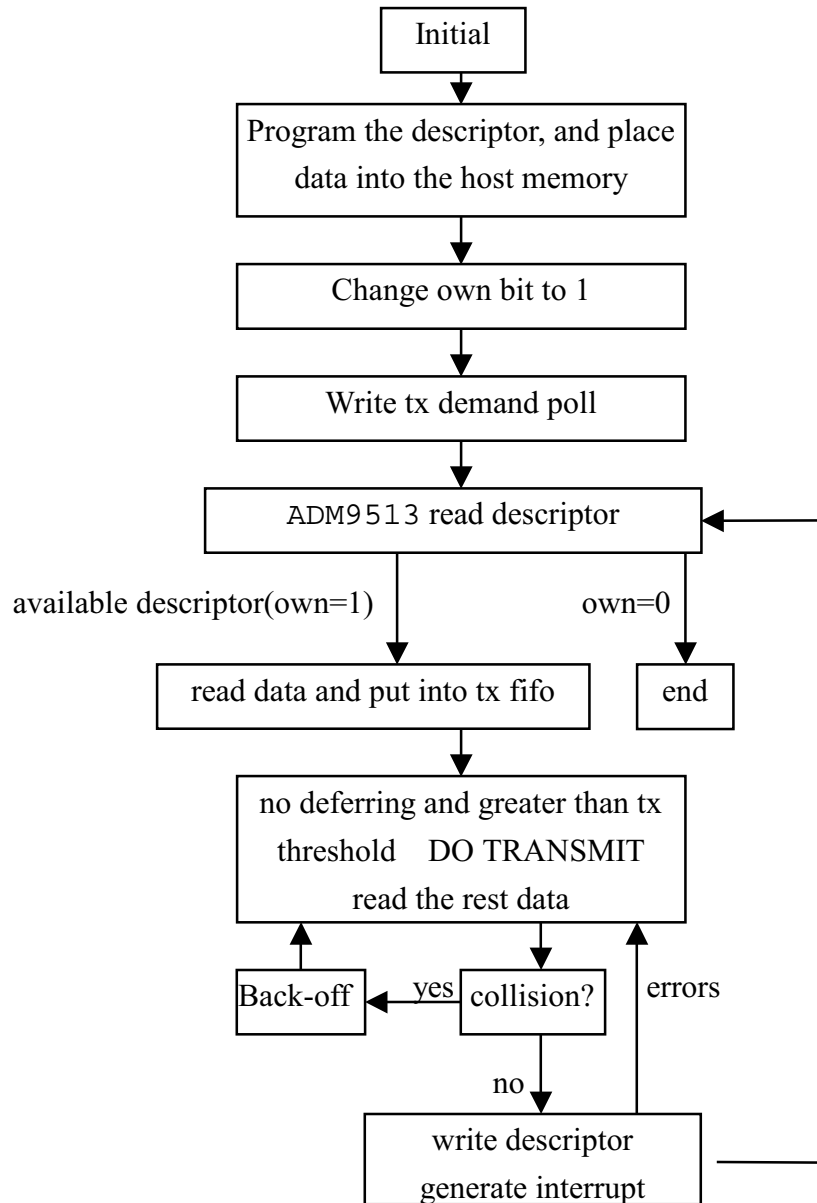
**Figure 6 Transmit pointers for descriptor management**



**Figure 7 Receive pointers for descriptor management**

**9.3. Transmit Scheme and Transmit Early Interrupt****9.3.1. Transmit flow**

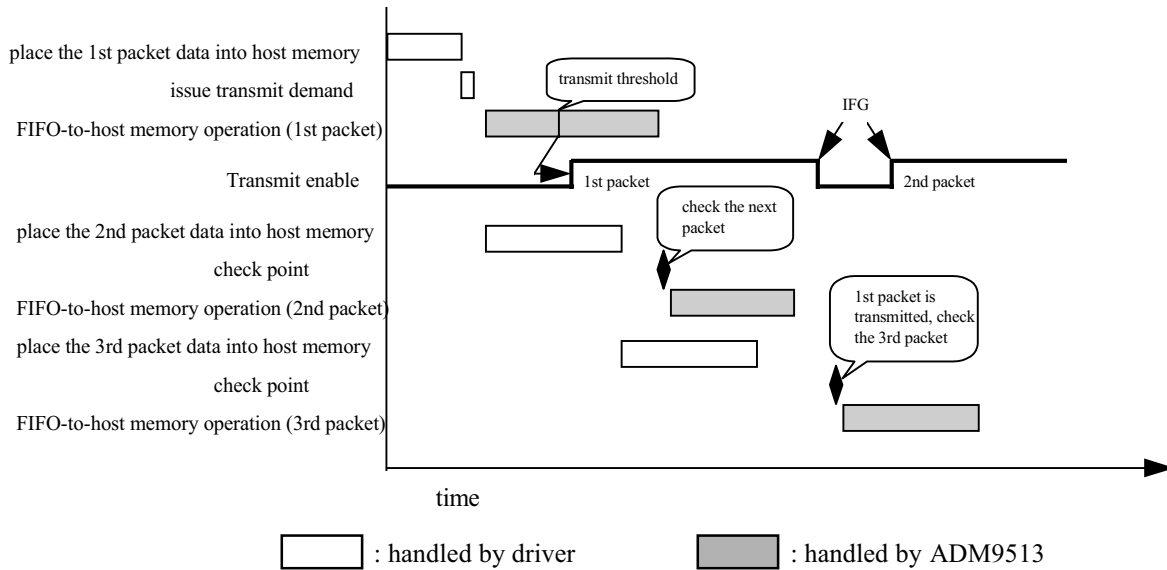
The flow of packet transmit is shown as below.





**9.3.2. Transmit pre-fetch data flow**

- Transmit FIFO size=2K-byte
- two packets in the FIFO at the same time
- meet the transmit min. back-to-back



**Figure 8 Transmit data flow of pre-fetch data**

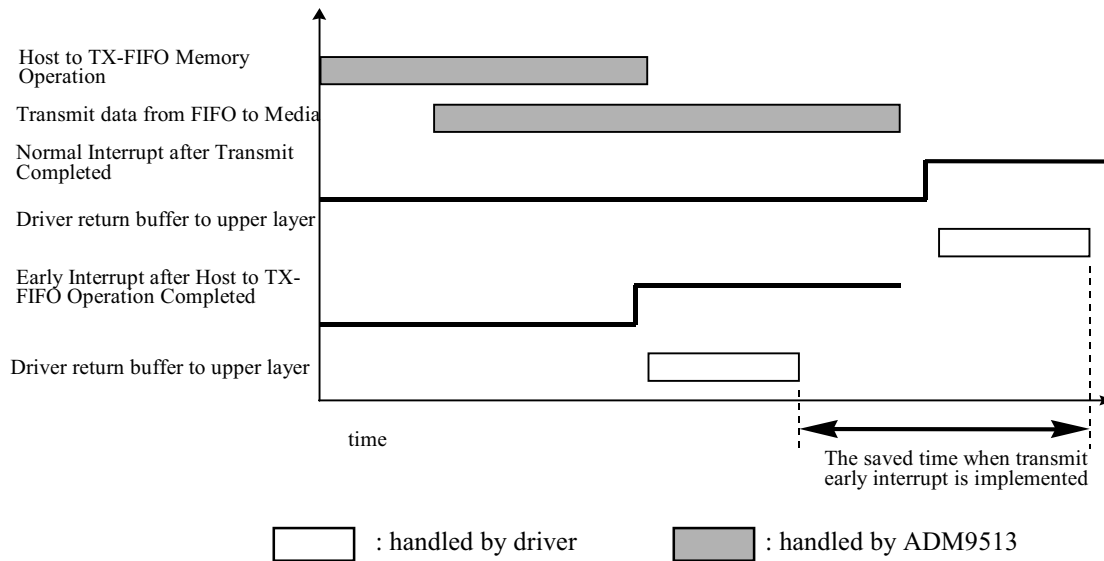
# ADMtek Incorporated

## ADM 9513

### LAN/Modem Controller with Embedded Fast Ethernet PHY



#### 9.3.3. Transmit early interrupt scheme

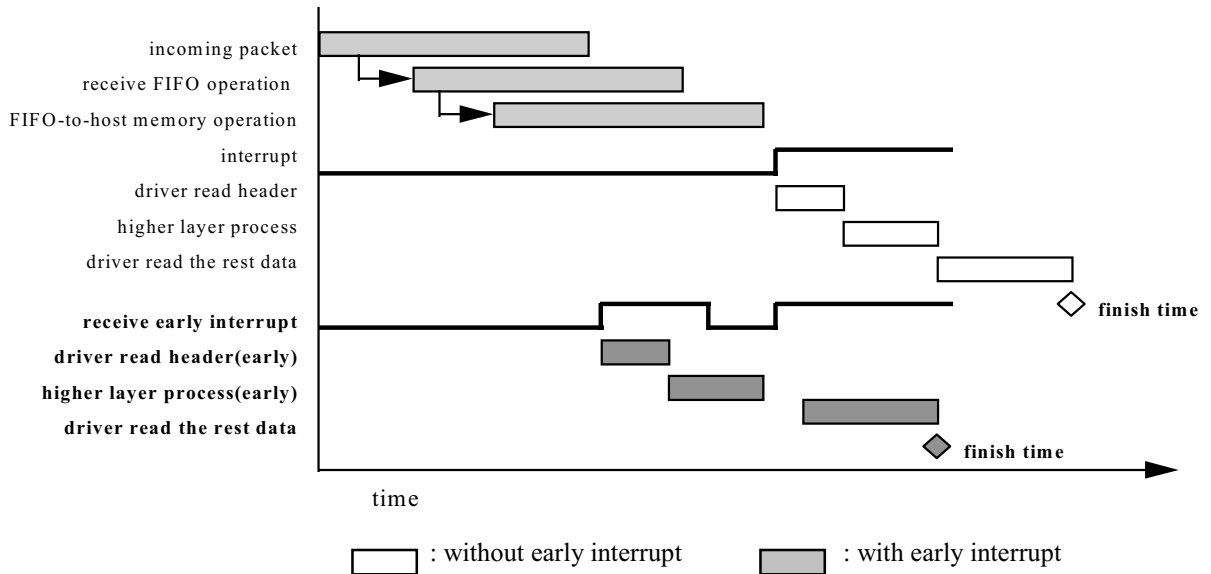


**Figure 9 Transmit normal interrupt and early interrupt comparison**



**9.4.Receive Scheme and Receive Early Interrupt Scheme**

The following figure shows the difference of timing without early interrupt and with early interrupt.



**Figure 10 Receive data flow (without early interrupt and with early interrupt)**

# ADMtek Incorporated

## ADM 9513

### LAN/Modem Controller with Embedded Fast Ethernet PHY

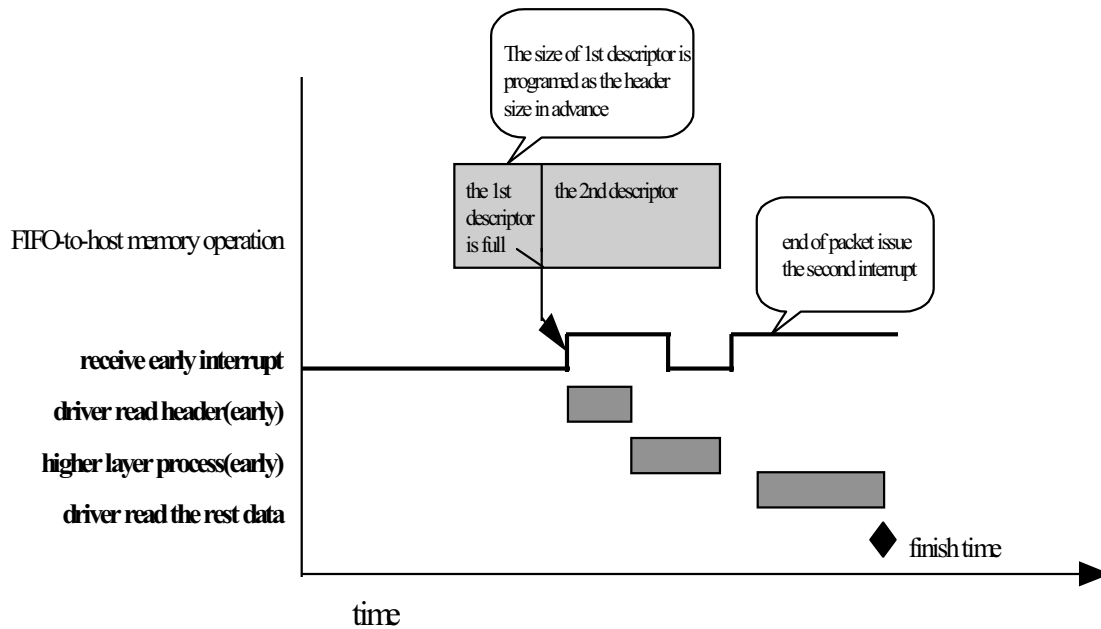


Figure 11 Detailed Receive Early interrupt flow



# ADMtek Incorporated

## ADM 9513

### LAN/Modem Controller with Embedded Fast Ethernet PHY



## 9.5. Network Operation

### 9.5.1. MAC operation

In the MAC (Media Access Control) portion of ADM9513, it incorporates the essential protocol requirements for operating as an IEEE802.3 and Ethernet compliant node.

#### ● Format

Field	Description
Preamble	A 7-byte field of (10101010b)
Start Frame Delimiter	A 1-byte field of (10101011b)
Destination Address	A 6-byte field
Source Address	A 6-byte field
Length/Type	A 2-byte field indicated the frame is in IEEE802.3 format or Ethernet format. IEEE802.3 format: 0000H ~ 05DCH for Length field Ethernet format: 05DD ~ FFFFH for Type field
Data	*46 ~ 1500 bytes of data information
CRC	A 32-bit cyclic redundant code for error detection

\*Note: If padding is disabled(TDES1 bit23), the data field may be shorter than 46 bytes.

#### ● Transmit Data Encapsulation

The differences between the encapsulation and a MAC frame while operating in the 100BASE-TX mode are listed as follow:

1. The first byte of the preamble is replaced by the JK code according to the IEEE802.3u, clause 24.
2. After the CRC field of the MAC frame, the ADM9513 inserts the TR code according to the IEEE802.3u, clause 24.

#### ● Receive Data Decapsulation

When operate in 100BASE-TX mode the ADM9513 detects a JK code for a preamble as well as a TR code for the packet end. If a JK code is not detected, the ADM9513 will abort this frame receiving and wait for a new JK code detection. If a TR code is not detected, the ADM9513 will report a CRC error.

ADMtek Incorporated  
1F, No9, Industrial E. 9<sup>th</sup> Road  
Science-Based Industrial Park  
300 Hsinchu, Taiwan, R.O.C.

Version: 1.1

Tel:886-3-5788879 Fax: 886-3-5788871

*ADMtek Incorporated Confidential*

*<http://www.admtek.com.tw>*

# *ADMtek Incorporated*

## *ADM 9513*

### **LAN/Modem Controller with Embedded Fast Ethernet PHY**



- **Deferring**

The Inter-Frame Gap (IFG) time is divided into two parts:

1. IFG1 time (64-bit time): If a carrier is detected on the medium during this time, the ADM9513 will reset the IFG1 time counter and restart to monitor the channel for an idle again.
2. IFG2 time (32-bit time): After counting the IFG2 time the ADM9513 will access the channel even though a carrier has been sensed on the network.

- **Collision Handling**

The scheduling of re-transmissions are determined by a controlled randomization process called “truncated binary exponential back-off”. At the end of enforcing a collision (jamming), the ADM9513 delays before attempting to re-transmit the packet. The delay is an integer multiple of slot time. The number of slot times to delay before the nth re-transmission attempt is chosen as a uniform distributed integer  $r$  in the range:

$$0 \leq r < 2^k \quad \text{where } k = \min(n, 10)$$

### **9.5.2. Transceiver operation**

In the transceiver portion of the ADM9513, it integrates the IEEE802.3u compliant functions of PCS(physical coding sub-layer), PMA(physical medium attachment) sub-layer, and PMD(physical medium dependent) sub-layer for 100BASE-TX, and the IEEE802.3 compliant functions of Manchester encoding/decoding and transceiver for 10BASE-T. All the functions and operation schemes are described in the following sections.

- **100BASE-TX Transmit Operation**

Regarding the 100BASE-TX transmission, the transceiver provides the transmission functions of PCS, PMA, and PMD for encoding of MII data nibbles to five-bit code-groups (4B/5B), scrambling, serialization

# *ADMtek Incorporated*

## *ADM 9513*

### **LAN/Modem Controller with Embedded Fast Ethernet PHY**



of scrambled code-groups, converting the serial NRZ code into NRZI code, converting the NRZI code into MLT3 code, and then driving the MLT3 code into the category 5 Unshielded Twisted Pair cable through an isolation transformer with the turns ratio of 1:1.

- **Data code-groups Encoder:** In normal MII mode application, the transceiver receives nibble type 4B data via the TXD0~3 inputs of the MII. These inputs are sampled by the transceiver on the rising edge of TX\_CLK and passed to the 4B/5B encoder to generate the 5B code-group used by 100BASE-TX.
- **Idle code-groups:** In order to establish and maintain the clock synchronization, the transceiver need to keep transmitting signals to medium. The transceiver will generate Idle code-groups for transmission when there is no real data want to be sent by MAC.
- **Start-of-Stream Delimiter-SSD (/J/K/):** In a transmission stream, the first 16 nibbles are MAC preamble. In order to let partner delineate the boundary of a data transmission sequence and to authenticate carrier events, the transceiver will replace the first 2 nibbles of the MAC preamble with /J/K/ code-groups.
- **End-of-Stream Delimiter-ESD (/T/R/):** In order to indicate the termination of the normal data transmissions, the transceiver will insert 2 nibbles of /T/R/ code-group after the last nibble of FCS.
- **Scrambling:** All the encoded data(including the idle, SSD, and ESD code-groups) is passed to data scrambler to reduce the EMI and spread the power spectrum using a 10-bit scrambler seed loaded at the beginning.
- **Data conversion of Parallel to Serial, NRZ to NRZI, NRZI to MLT3:** After scrambled, the transmission data with 5B type in 25MHz will be converted to serial bit stream in 125MHz by

# *ADMtek Incorporated*

## *ADM 9513*

### **LAN/Modem Controller with Embedded Fast Ethernet PHY**



the parallel to serial function. After serialized, the transmission serial bit stream will be further converted from NRZ to NRZI format. After NRZI converted, the NRZI bit stream is passed through MLT3 encoder to generate the TP-PMD specified MLT3 code. With this MLT3 code, it lowers the frequency and reduces the energy of the transmission signal in the UTP cable and also makes the system easily to meet the FCC specification of EMI.

- **Wave-Shaper and Media Signal Driver:** In order to reduce the energy of the harmonic frequency of transmission signals, the transceiver provides the wave-shaper prior the line driver to smooth but keep symmetric the rising/falling edge of transmission signals. The wave-shaped signals include the 100BASE-TX and 10BASE-T both are passed to the same media signal driver. This design can simplify the external magnetic connection with single one.

- **100BASE-TX Receiving Operation**

Regarding the 100BASE-TX receiving operation, the transceiver provides the receiving functions of PMD, PMA, and PCS for receiving incoming data signals through category 5 UTP cable and an isolation transformer with turns ratio of 1: 1. It includes the adaptive equalizer and baseline wander, data conversions of MLT3 to NRZI, NRZI to NRZ and serial to parallel, the PLL for clock and data recovery, the de-scrambler, and the decoder of 5B/4B.

- **Adaptive Equalizer and Baseline Wander:** Since the high speed signals over the unshielded (or shielded) twisted Pair cable will induce the amplitude attenuation and phase shifting. Furthermore, these effects are depends on the signal frequency, cable type, cable length and the connectors of the cabling. So a reliable adaptive equalizer and baseline wander to compensate all the amplitude attenuation and phase shifting are necessary. In the transceiver, it provides the robust circuits to perform these functions.
- **MLT3 to NRZI Decoder and PLL for Data Recovery:** After receiving the proper MLT3 signals, the transceiver converts the MLT3 to NRZI code for further processing. After adaptive

# *ADMtek Incorporated*

## *ADM 9513*

### **LAN/Modem Controller with Embedded Fast Ethernet PHY**



equalizer, baseline wander, and MLT3 to NRZI decoder, the compensated signals with NRZI type in 125MHz are passed to the Phase Lock Loop circuits to extract out the original data and the synchronous clock.

- **Data Conversions of NRZI to NRZ and Serial to Parallel:** After data recovered, the signals will be passed to the NRZI to NRZ converter to generate the 125MHz serial bit stream. This serial bit stream will be packed to parallel 5B type for further processing.
- **De-scrambling and Decoding of 5B/4B:** The parallel 5B type data is passed to de-scrambler and 5B/4B decoder to return their original MII nibble type data.
- **Carrier sensing:** Carrier Sense(CRS) signal is asserted when the transceiver detects any 2 non-contiguous zeros within any 10bit boundary of the receiving bit stream. CRS is de-asserted when ESD code-group or Idle code-group is detected. In half duplex mode, CRS is asserted during packet transmission or receive. But in full duplex mode, CRS is asserted only during packet reception.

- **10BASE-T Transmission Operation**

It includes the parallel to serial converter, Manchester Encoder, Link test function, Jabber function and the transmit wave-shaper and line driver described in the section of “Wave-Shaper and Media Signal Driver” of “100BASE-T Transmission Operation”. It also provides Collision detection and SQE test for half duplex application.

- **10BASE-T Receive Operation**

It includes the carrier sense function, receiving filter, PLL for clock and data recovering, Manchester decoder, and serial to parallel converter.

- **Loop-back Operation of transceiver**

ADMtek Incorporated  
1F, No9, Industrial E. 9<sup>th</sup> Road  
Science-Based Industrial Park  
300 Hsinchu, Taiwan, R.O.C.

Version: 1.1

Tel:886-3-5788879 Fax: 886-3-5788871

*ADMtek Incorporated Confidential*

*<http://www.admtek.com.tw>*

# *ADMtek Incorporated*

## *ADM 9513*

### **LAN/Modem Controller with Embedded Fast Ethernet PHY**



The transceiver provides internal loop-back (also called transceiver loop-back) operation for both the 100BASE-TX and 10BASE-T operations. The loop-back operation can be enabled by setting bit 14 of PHY register 0 to 1. In this loop-back operation, the TX± and RX± lines are isolated from the media. The transceiver also provides remote loop-back operation for 100BASE-TX operation. The remote loop-back operation can be enabled by setting bit 3 of PHY register 21 to 1.

In the 100BASE-TX internal loop-back operation, the data comes from the transmit output of NRZ to NRZI converter then loop-back to the receive path into the input of NRZI to NRZ converter.

In the 100BASE-TX remote loop-back operation, the data is received from RX± pins through receive path to the output of data and clock recover and then loop-back to the input of NRZI to MLT3 converter of transmit path then transmit out to the medium via the transmit line drivers.

In the 10BASE-T loop-back operation, the data is through transmit path and loop-back from the output of the Manchester encoder into the input of Phase Lock Loop circuit of receive path.

#### ● **Full Duplex and Half Duplex Operation of Transceiver**

The transceiver can operate for either full duplex or half duplex network application. In full duplex, both transmit and receive can be operated simultaneously. Under full duplex mode, collision(COL) signal is ignored and carrier sense(CRS) signal is asserted only when the transceiver is receiving.

In half duplex mode, either transmit or receive can be operated at one time. Under half duplex mode, collision signal is asserted when transmit and receive signals collided and carrier sense asserted during transmission and reception.

#### ● **Auto-Negotiation Operation**

The Auto-Negotiation function is designed to provide the means to exchange information between the transceiver and the network partner to automatically configure both to take maximum advantage of their abilities, and both are setup accordingly. The Auto-Negotiation function can be controlled through bit 12 of PHY register 0.

The Auto-Negotiation exchanges information with the network partner using the Fast Link Pulses(FLPs) - a burst of link pulses. There are 16 bits of signaling information contained in the burst

# *ADMtek Incorporated*

## *ADM 9513*

### **LAN/Modem Controller with Embedded Fast Ethernet PHY**



---

pulses to advertise all remote partner's capabilities which are determined by PHY register 4. According to this information they find out their highest common capability by following the priority sequence as below:

1. 100BASE-TX full duplex
2. 100BASE-TX half duplex
3. 10BASE-T full duplex
4. 10BASE-T half duplex

During power-up or reset, if Auto-Negotiation is found enabled then FLPs will be transmitted and the Auto-Negotiation function will process. Otherwise, the Auto-Negotiation will not occur until the bit 12 of PHY register 0 is set to 1. When the Auto-Negotiation is disabled, then the Network Speed and Duplex Mode are selected by programming PHY register 0.

#### ● **Power Down Operation**

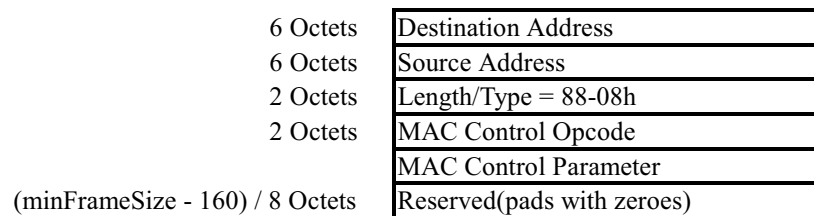
To reduce the power consumption the transceiver is designed with power down feature which can save the power consumption significantly. Since the power supply of the 100BASE-TX and 10BASE-T circuits are separated, the transceiver can turn off the circuit of either the 100BASE-TX or 10BASE-T when the other one of them is operating.

#### **9.5.3. Flow control in full duplex application**

The PAUSE function operation is used to inhibit transmission of data frames for a specified period of time. The ADM9513 supports full duplex protocol of IEEE802.3x. To support PAUSE function, the ADM9513 implements the MAC Control Sub-layer functions to decode the MAC Control frames received from MAC control clients and execute the relative requests accordingly. When the Full Duplex mode and PAUSE function are selected after Auto-Negotiation completed, then the ADM9513 enables the PAUSE function for flow control of full duplex application. In this section we will describe how the ADM9513 implements the PAUSE function.

**ADMtek Incorporated****ADM 9513****LAN/Modem Controller with Embedded Fast Ethernet PHY**

- **MAC Control Frame and PAUSE Frame**



**Figure 12 MAC Control Frame Format**

The MAC control frame is distinguished from other MAC frames only by their Length/Type field identifier. The MAC Control Opcode defined in MAC Control Frame format for PAUSE function is 0001h. Besides, the PAUSE time is specified in the MAC Control Parameters field with 2 Octets, unsigned integer, in the units of Slot-Times. The range of possible PAUSE time is 0 to 65535 Slot-Times.

So, a valid PAUSE frame issued by a MAC control client (could be a switch or a bridge) will contain:

- The destination address is set equal to the globally assigned 48 bit multicast address 01-80-C2-00-00-01, or equal to the unicast address which the MAC control client wishes to inhibit its transmission of data frames.
- Filled the MAC Control Opcode field with 0001h.
- 2 Octets of PAUSE time specified in the MAC Control parameter field to indicate the length of time for which the destination is wished to inhibit data frame transmission.

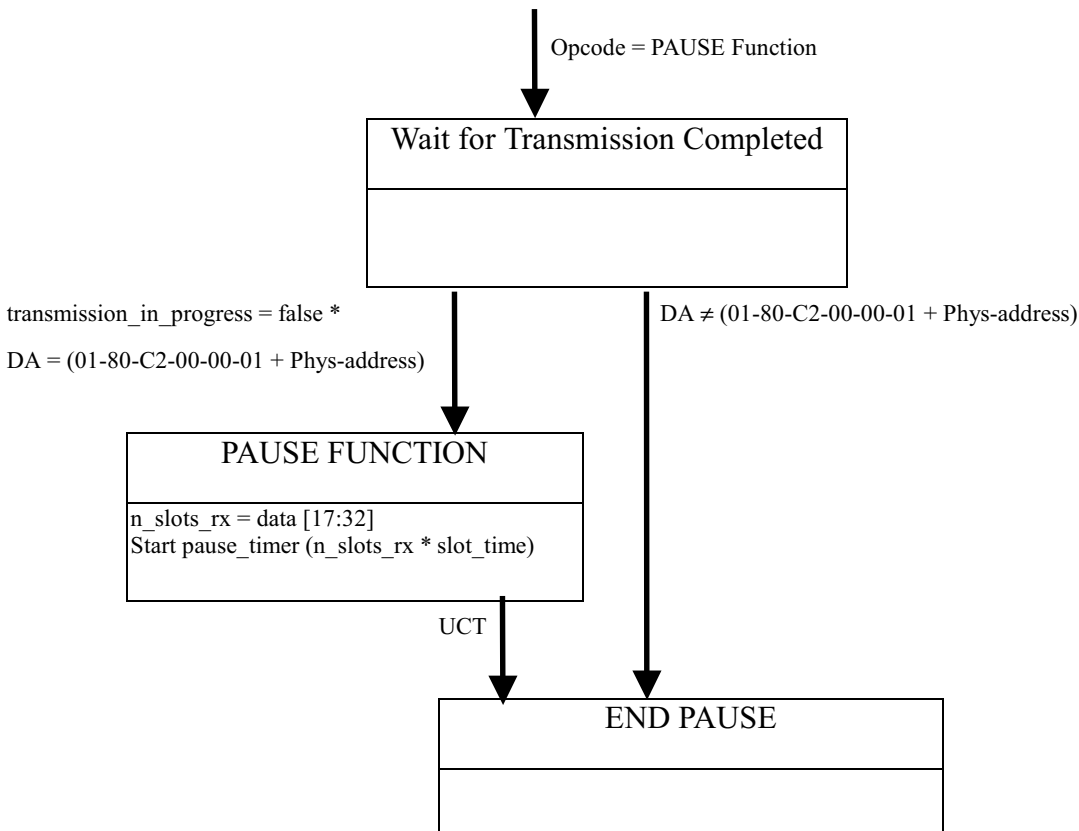
- **Receive Operation for PAUSE function**

Upon reception of a valid MAC Control frame, the ADM9513 will start a timer for the length of time specified by the MAC Control Parameters field. When the timer value reaches zero then the ADM9513 ends PAUSE state. However, a PAUSE frame should not affect the transmission of a frame that has been submitted to the MAC (started Transmit out of the MAC and can't be interrupted). On the other hand, the ADM9513 shall not begin to transmit a frame more than one Slot-Times after received a valid PAUSE





frame with a non-zero PAUSE time. If the ADM9513 receives a PAUSE frame with a zero PAUSE time value, then the ADM9513 ends the PAUSE state immediately.



**Figure 13 PAUSE operation receive state diagram**

***ADMtek Incorporated******ADM 9513*****LAN/Modem Controller with Embedded Fast Ethernet PHY****9.6.Reset Operation****9.6.1. Reset whole chip**

There are two ways to reset the ADM9513. First, hardware reset, the ADM9513 can be reset via RST# pin. For ensuring proper reset operation, at least 100 $\mu$ s active Reset input signal is required. Second, software reset, when bit 0 of CSR0 register is set to 1, the ADM9513 will reset entire circuits and register to default value then clear the bit 0 of CSR0 to 0.

**9.6.2. Reset Transceiver only**

When bit 15 of PHY register 0 is set to 1, the transceiver will reset entire circuits and register contains to default value then clear the bit 15 of PHY register 0 to 0.

# *ADMtek Incorporated*

## *ADM 9513*

### **LAN/Modem Controller with Embedded Fast Ethernet PHY**



#### **9.7. Wake-on-LAN function**

The ADM9513 can assert a signal to wake up the system when it received a Magic Packet from the network. The Wake on LAN operation is described as follow.

- **The Magic Packet format:**

- Valid destination address that can pass the address filter of the ADM9513
- The payload of frame must include at least 6 contiguous 'FF' followed immediately by 16 repetitions of IEEE address.
- The frame can contain multiple 'six FF + sixteen IEEE address' pattern.
- CRC OK

- **The Wake on LAN operation**

The Wake on LAN enable function is controlled by bit 18 of CSR18, it is loaded from EEPROM after reset or programmed by driver to enable Wake on LAN function. If the bit 18 of CSR18 is set and the ADM9513 receive a Magic Packet, it will assert the PME# signal (drive to low) to indicate receiving a wake up frame as well as to set the PME status bit (the bit 15 of CSR20).

# *ADMtek Incorporated*

## *ADM 9513*

### **LAN/Modem Controller with Embedded Fast Ethernet PHY**



---

## **9.8.ACPI Power Management function**

The ADM9513 has a built-in capability for Power Management (PM) which controlled by the host system

The ADM9513 will provide:

- Compatibility with Device Class Power Management Reference Specification, Rev1.09
- Compatibility with ACPI specification, Rev 1.0
- Compatibility with PCI Bus Power Management Interface Specification, Rev 1.1
- Compatibility with AMD Magic Packet™ Technology.
- Compatibility with PCI CLKRUN scheme.

### **9.8.1. Power states**

- **D0 (Fully On)**

In this state the ADM9513 operates as full functionality and consumes its normal power. While in the D0 state, if the PCI clock is lower than 16MHz, the ADM9513 may not receive or transmit frames properly.

- **D1**

In this state the ADM9513 doesn't response to any accesses except configuration space and full function context in place. The only network operation the ADM9513 can initiate is a wake-up event.

- **D2**

In this state the ADM9513 only respond to access configuration space and full function context in place. The ADM9513 can't transmit or receive even the wake-up frame.

- **D3<sub>cold</sub> (Power Removed)**

In this state all function context is lost. When power is restored, the function will return to D0.

# ADMtek Incorporated

## ADM 9513

### LAN/Modem Controller with Embedded Fast Ethernet PHY



- **D3<sub>hot</sub> (Software Visible D3)**

When the ADM9513 is brought back to D0 from D3<sub>hot</sub> the software must perform a full initialization.

The ADM9513 in the D3<sub>hot</sub> state respond to configurations cycles as long as power and clock are supplied. This requires the device to perform an internal reset and return to a power-up reset condition without the RST# pin asserted.

Device State	PCI Bus State	Function Context	Clock	Power	Supported Actions to Function	Supported Actions from Function
D0	B0	Full function context in place	Full speed	Full power	Any PCI transaction	Any PCI transaction or interrupt
D1	B0, B1	Configuration maintained. No Tx and Rx except wake-up events	Stopped to Full speed		PCI configuration access	Only wake-up events
D2	B0, B1, B2	Configuration maintained. No Tx and Rx	Stopped to Full speed		PCI configuration access(B0, B1)	
D3hot	B0, B1, B2	Configuration lost, full initialization required upon return to D0	Stopped to Full speed		PCI configuration access(B0, B1)	
D3cold	B3	All configuration lost. Power-on defaults in place on return to D0	No clock	No power	Power-on reset	

**Table 1 Power state**

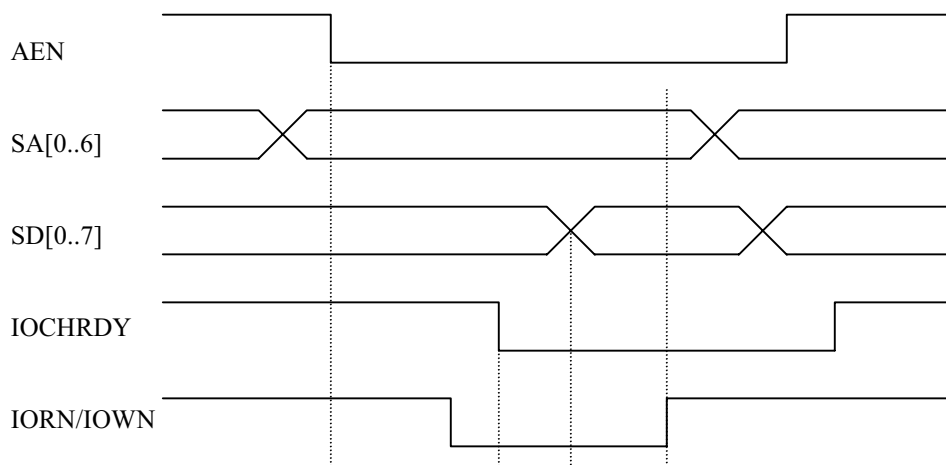
## 9.9. Modem Operation

The modem interface is an ISA-like local bus, it includes:

- SA0-SA6: 7 address lines, can map to the maximum 128 byte I/O or memory space
- SD0-SD7: 8-bit data bus, provide byte access on the local bus
- AEN, IORN, IOWN, ISA\_RST, RING, HW\_INT, IOCHRDY, and HMEM\_EN: Access control signals

To access the local ISA bus through the PCI interface, the software can access the ISA\_Port on MCSR registers (offset: 0~3Fh). The access on ISA\_Port[0] is mapped to local bus address #0, the ISA\_port[1] is mapped to #1,...etc. The base address of ISA\_Port can be mapped to PCI I/O or memory space by programming the modem PCI configuration space.

Basic read/write cycles to the modem device are shown below.



**Figure 14 Modem Interface Read/Write access**

# *ADMtek Incorporated*

## *ADM 9513*

### **LAN/Modem Controller with Embedded Fast Ethernet PHY**



#### **9.10. LED Display Operation**

The ADM9513 provides 2 kinds of LED display mode for Ethernet networking, the detail descriptions about the operation are described in the PIN Description section.

- First mode - 3 LED displays for
  - ◆ 100Mbps(on) or 10Mbps(off)
  - ◆ Link(Keeps on when link ok) or Activity(Blink with 10Hz when receiving or transmitting but not collision)
  - ◆ FD(Keeps on when in Full duplex mode) or Collision(Blink with 20Hz when colliding)
- Second mode – 4 LED displays for
  - ◆ 100 Link(On when 100M link ok)
  - ◆ 10 Link(On when 10M link ok)
  - ◆ Activity (Blink with 10Hz when receiving or transmitting)
  - ◆ FD(Keeps on when in Full duplex mode) or Collision(Blink with 20Hz when colliding)

# ADMtek Incorporated

## ADM 9513

### LAN/Modem Controller with Embedded Fast Ethernet PHY



## 10. General EEPROM Format Description

Offset	Length	Description
0	2	ADM9513 <i>Signature</i> : <b>0x9513</b>
2	1	Format major version: <b>0x01</b> .
3	1	Format minor version: <b>0x00</b>
4	4	Reserved
8	6	IEEE network address: <b>ID1, ID2, ID3, ID4, ID5, ID6</b> (auto load to CSR25/26)
E	2	Reserved, should be <b>zero</b> .
10	2	Reserved, should be <b>zero</b> .
12	2	<i>Default Connection Type</i> , See Table 3
14	1	BootRom <b>ENABLE=1</b> , <b>DISABLE=0</b> (auto load to CR12, BRE bit)
15	1	BootRom Default selection: <b>0: Using INT 18h</b> 1: Using INT 19h 2: Using PnP/BEV (BBS) 0x10: Boot From RPL
16	10	Reserved, should be <b>zero</b> .
20	2	PCI <i>Device ID</i> : <b>0x9513</b> (auto load to CR0, LDID bits)
22	2	PCI <i>Vendor ID</i> : <b>0x1317</b> (auto load to CR0, LVID bits)
24	2	PCI <i>Subsystem ID</i> (auto load to CR11, SID bits)
26	2	PCI <i>Subsystem Vendor ID</i> (auto load to CR11 SVID bits)
28	1	<b>MIN_GNT</b> value. <b>0xFF</b> (auto load to CR15 & MCR15, MG bits)
29	1	<b>MAX_LAT</b> value. <b>0xFF</b> (auto load to CR15 & MCR15, ML bits)
2A	4	LAN CIS Pointer, <b>0x0202</b> (auto load to CR10)
2E	2	CSR18 ( <b>CR</b> ) bit 31-16 recall data. Please refer to CSR18 bit definition
30	2	Modem Device ID: <b>0x9514</b> (auto load to MCR0, LDID bits)
32	2	Modem Vendor ID: <b>0x1317</b> (auto load to MCR0, LVID bits)
34	2	Modem Subsystem ID (auto load to MCR11, SID bits)
36	2	Modem Subsystem Vendor ID (auto load to MCR11, SVID bits)
38	1	Modem SubClass ID, <b>0x03</b> (auto load to MCR2 SC bits)
39	1	Reserved
3A	1	Modem Revision Number, <b>0x02</b> (auto load to MCR2, RN&SN bits)
3B	1	Reserved
3C	4	Modem CIS Pointer, <b>0x0102</b> (auto load to MCR10)
40	1	Ethernet power consumption on D1, D2, D3 states (auto load to CR49 Data Register)

ADMtek Incorporated

1F, No9, Industrial E. 9<sup>th</sup> Road

Science-Based Industrial Park

300 Hsinchu, Taiwan, R.O.C.

Tel:886-3-5788879 Fax: 886-3-5788871

ADMtek Incorporated Confidential

<http://www.admtek.com.tw>

Version: 1.1



**ADMtek Incorporated****ADM 9513****LAN/Modem Controller with Embedded Fast Ethernet PHY**

41	1	Ethernet power consumption on D0 states (auto load to CR49 Data Register)
42	1	Modem power consumption on D1, D2, D3 states (auto load to MCR49 Data Register)
43	1	Modem power consumption on D0 state (auto load to MCR49 Data Register)
44	2	CSR29 recall value. Please refer to CSR29 bit definition
46	10	Reserved, should be <b>zero</b>
50	2	Modem CIS word count (< 128 bytes) (auto load to CSR15a MCISent bits)
52	2	LAN CIS word count (< 128 bytes) (auto load CSR15a CISent bits)
54	42	Reserved, should be <b>zero</b> .
7E	2	<i>Checksum</i> , the least significant two bytes of <b>FCS</b> for data stored in offset 0..7D of EEPROM
80	192	<b>Modem CIS DATA</b>
140	192	<b>LAN CIS DATA</b>

**Table 3 Connection Type Definition**

0xFFFF	Software Driver Default
0x0100	Auto-Negotiation
0x0200	Power-on Auto-detection
0x0400	Auto Sense
0x0000	10BaseT
0x0001	BNC
0x0002	AUI
0x0003	100BaseTx
0x0004	100BaseT4
0x0005	100BaseFx
0x0010	10BaseT Full Duplex
0x0013	100BaseTx Full Duplex
0x0015	100BaseFx Full Duplex

**ADMtek Incorporated****ADM 9513****LAN/Modem Controller with Embedded Fast Ethernet PHY****11. Electroical Specifications and Timings****11.1 Absolute Maximum Ratings**

Supply Voltage(Vcc)	-0.5V to 3.6V
Input Voltage	-0.5V to VCC+0.5 V
Output Voltage	-0.5V to VCC+0.5 V
Storage Temperature	-65°C to 150°C
Ambient Temperature	0°C to 70°C
ESD Protection	2000V

**11.2 DC Specifications****General DC Specifications**

Parameter	Description	Condition	Min	Typical	Max	Units
Vcc	Supply Voltage		3.0		3.6	V
Icc	Power Supply				1	A

**PCI Interface DC Specifications**

Parameter	Description	Condition	Min	Typical	Max	Units
Vilp	Input LOW Voltage		-0.5		0.325vcc	V
Vihp	Input HIGH Voltage		0.475vcc		Vcc+0.5	V
Iilp	Input Leakage Current	0<Vin <Vcc			+10	uA
Volp	Output LOW Voltage	Iout=700uA			0.1Vcc	V
Vohp	Output HIGH Voltage	Iout=-150uA	0.9Vcc			V
Cinp	Input Pin Capacitance		5		17	pF
Cclkp	CLK Pin Capacitance		10		22	pF

ADMtek Incorporated  
 1F, No9, Industrial E. 9<sup>th</sup> Road  
 Science-Based Industrial Park  
 300 Hsinchu, Taiwan, R.O.C.

Version: 1.1

Tel:886-3-5788879 Fax: 886-3-5788871

*ADMtek Incorporated Confidential**<http://www.admtek.com.tw>*

**ADMtek Incorporated****ADM 9513****LAN/Modem Controller with Embedded Fast Ethernet PHY****Flash/EEPROM Interface DC Specifications**

Parameter	Description	Condition	Min	Typical	Max	Units
Vilf	Input LOW Voltage		0		$V_{cc} \times 0.3$	V
Vihf	Input HIGH Voltage		$V_{cc} \times 0.7$		$V_{cc} + 1$	V
Iif	Input Leakage Current				?	uA
Volf	Output LOW Voltage				0.2	V
Vohf	Output HIGH Voltage		$V_{cc} - 0.2$			V
Cinf	Input Pin Capacitance				?	pF

**11.3 AC Specifications****PCI Signaling AC Specifications for 3.3V**

Parameter	Description	Condition	Min	Typical	Max	Units
Ioh(AC)	Switching Current High			4		mA
Iol(AC)	Switching Current Low			6		mA
	Slew Rate		0.25		1	V/ns
Icl	Low Clamp Current					mA
Tr	Unloaded Output Rise Time	0.2vcc~0.6vcc	1		4	V/ns
Tf	Unloaded Output Fall Time	0.6vcc~0.2vcc	1		4	V/ns

**11.4 Timing Specifications****PCI Clock Specifications**

Parameter	Description	Condition	Min	Typical	Max	Units
-----------	-------------	-----------	-----	---------	-----	-------

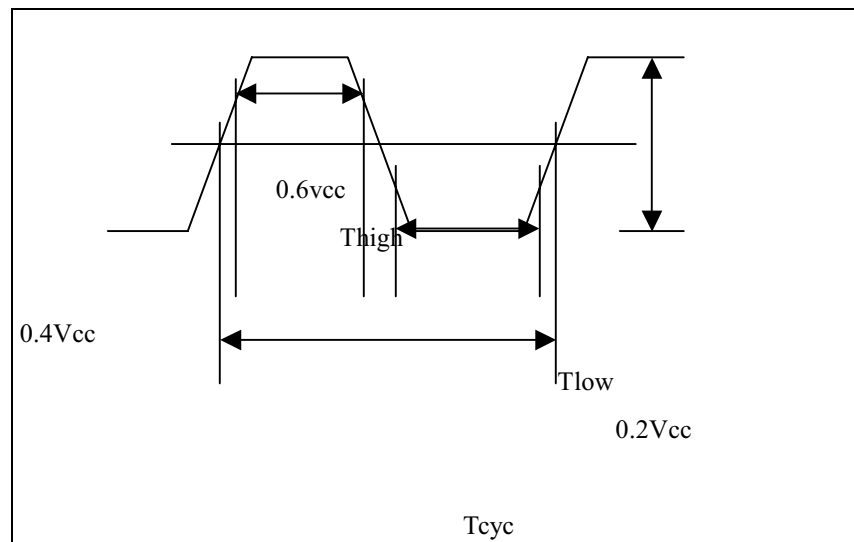
ADMtek Incorporated  
 1F, No9, Industrial E. 9<sup>th</sup> Road  
 Science-Based Industrial Park  
 300 Hsinchu, Taiwan, R.O.C.

Version: 1.1

Tel:886-3-5788879 Fax: 886-3-5788871  
 ADMtek Incorporated Confidential  
<http://www.admtek.com.tw>

**ADMtek Incorporated****ADM 9513****LAN/Modem Controller with Embedded Fast Ethernet PHY**

Tcyc	Clock Cycle Time	30			ns
Thigh	Clock High Time	12			ns
Tlow	Clock Low Time	12			ns
	Clock Slew Rate	1		4	V/ns

**Figure 13 PCI Clock Waveform**

**ADMtek Incorporated****ADM 9513****LAN/Modem Controller with Embedded Fast Ethernet PHY****PCI Timings**

Parameter	Description	Condition	Min	Typical	Max	Units
Tval	access time – bused signals		2		11	ns
Tval(ptp)	access time –point to point		2		12	ns
Ton	Float to Active Delay		2			ns
Toff	Active to Float Delay				28	ns
Tsu	Input Set up Time to Clock – bused signals		7			ns
Tsu(ptp)	Input Set up Time to Clock - point to point		10,12			ns
Th	Input Hold Time from Clock		0			ns
Trst	Reset Active Time after Power Stable		1			ms
Trst-clk	Reset Active Time after CLK Stable		100			us
Trst-off	Reset Active to Output Float delay				40	ns

# ADMtek Incorporated

## ADM 9513

### LAN/Modem Controller with Embedded Fast Ethernet PHY

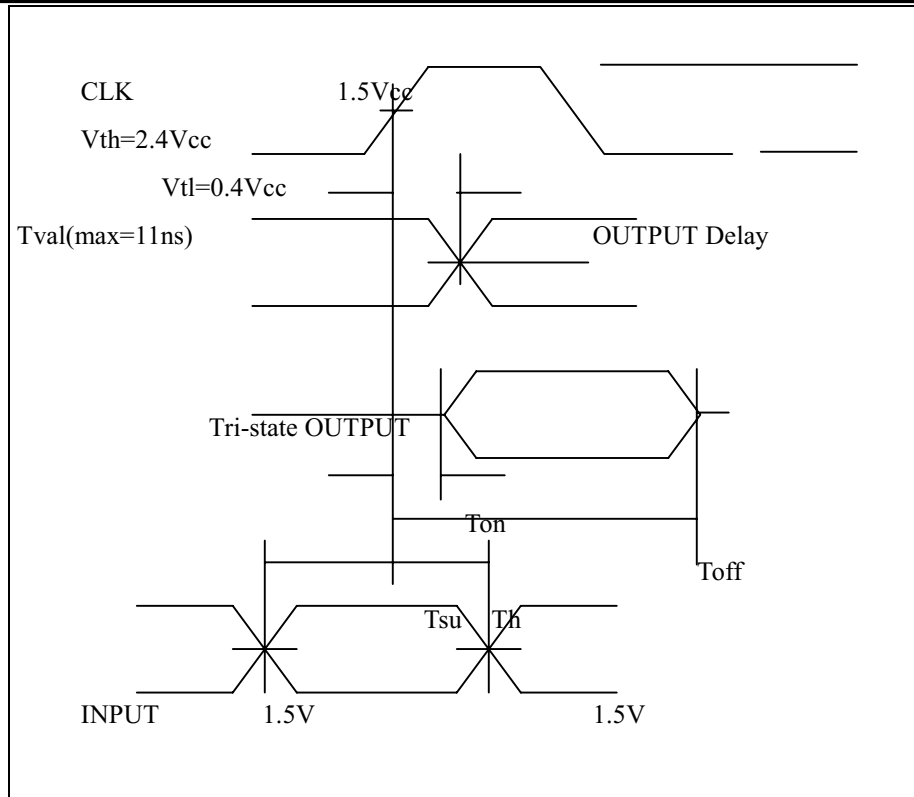


Figure 14 PCI Timings

**ADMtek Incorporated****ADM 9513****LAN/Modem Controller with Embedded Fast Ethernet PHY****Flash Interface Timings**

Parameter	Description	Condition	Min	Typical	Max	Units
Trc	Read cycle time		90			ns
Tce	Chip enable access time				90	ns
Taa	Address access time				90	ns
Toe	Output enable access time				45	ns
Telz	#CE low to active output		0			ns
Tolz	#OE low to active output		0			ns
Tchz	#CE high to active output				45	ns
Tohz	#OE high to active output				45	ns
Toh	Output hold from address change		0			ns
Twc	Write cycle time				10	ms
Tas	Address setup time		0			ns
Tah	Address hold time		50			ns
Tes	#WE and #CE setup time		0			ns
Tch	#WE and #CE hold time		0			ns
Toes	#OE high setup time		10			ns
Toeh	#OE high hold time		10			ns
Tcp	#CE pulse width		70			ns
Twp	#WE pulse width		70			ns
Twph	#WE high width		150			ns
Tds	Data setup time		50			ns
Tdh	Data hold time		10			ns
Tblc	Byte load cycle time		0.22		200	us
Tblco	Byte load cycle time out		300			us

ADMtek Incorporated  
 1F, No9, Industrial E. 9<sup>th</sup> Road  
 Science-Based Industrial Park  
 300 Hsinchu, Taiwan, R.O.C.

Version: 1.1

Tel:886-3-5788879 Fax: 886-3-5788871

*ADMtek Incorporated Confidential*

*<http://www.admtek.com.tw>*

# ADMtek Incorporated

## ADM 9513

### LAN/Modem Controller with Embedded Fast Ethernet PHY



Figure 15 Flash write timings

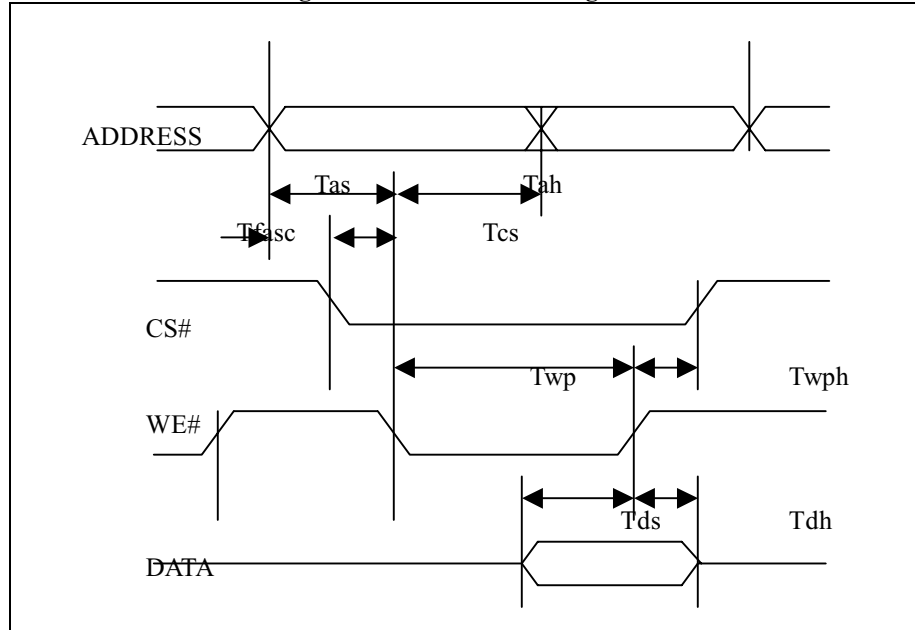
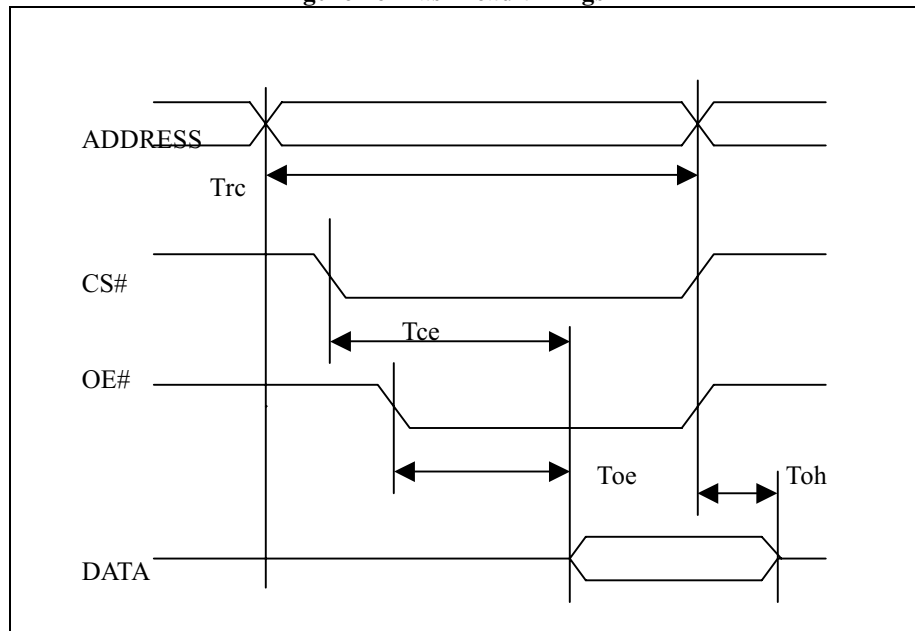


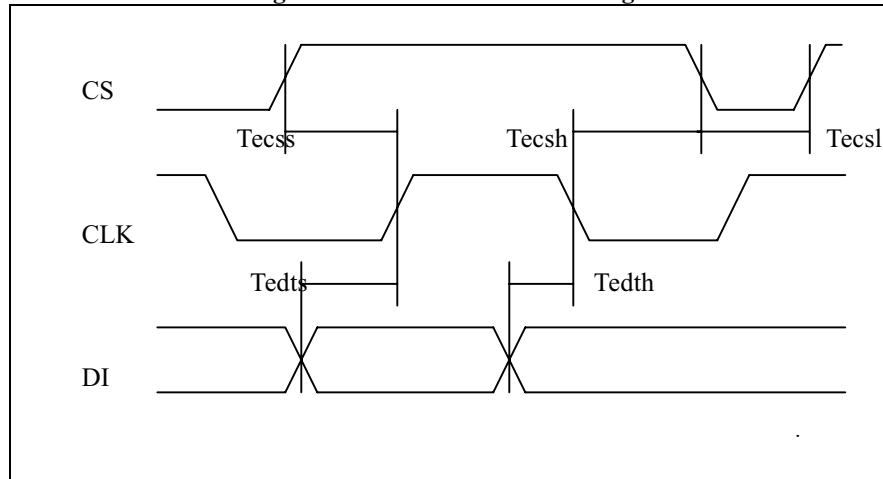
Figure 16 Flash read timings





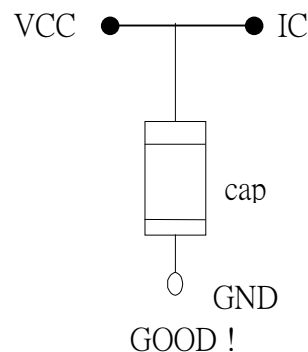
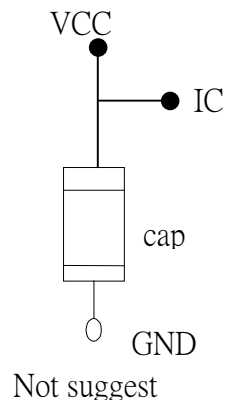
**ADMtek Incorporated****ADM 9513****LAN/Modem Controller with Embedded Fast Ethernet PHY****EEPROM Interface Timings (AC/AD)**

Parameter	Description	Condition	Min	Typical	Max	Units
Tscf	Serial Clock Frequency	2.7V<Vcc<5.5V			0.4M/ 0.1M	Hz
Tecss	Delay from CS High to SK High	2.7V<Vcc<5.5V	160/640			ns
Tecsh	Delay from SK Low to CS Low	2.7V<Vcc<5.5V	1120 /4480			ns
Tedts	Setup Time of DI to SK	2.7V<Vcc<5.5V	160/640			ns
Tedth	Hold Time of DI after SK	2.7V<Vcc<5.5V	2320 /9280			ns
Tecsl	CS Low Time	2.7V<Vcc<5.5V	7400/ 29600			ns

**ADMtek Incorporated****ADM 9513****LAN/Modem Controller with Embedded Fast Ethernet PHY****Figure 17 Serial EEPROM timing**

**ADMtek Incorporated****ADM 9513****LAN/Modem Controller with Embedded Fast Ethernet PHY****Appendix 1 Layout Guide****Rev. 1.0B****1.placement**

- a. Keep the distance as short as possible between ADM9513 and transformer, as well as transformer and RJ45.
- b. Make crystal device cross to ADM9513 pin x1 x2, and away from the following item:
  1. Tx+/- , Rx+/- differential pairs
  2. PCB edge.
  3. Transformer
  4. Any other high frequency components and associated traces.
- c. Pull-high resistor of Tx needs to close to chip and receiving termination resistor of Rx. capacitor needs to close to transformer.
- d. Decoupled capacitor should be placed as close to chip as possible and their traces should be as short as possible.
- e. Use ample dc-coupling and bulk capacitors to minimize noise.
- f. Use X7R ceramic capacitor for better capacitive characteristics over temperature.



# ADMtek Incorporated

## ADM 9513

### LAN/Modem Controller with Embedded Fast Ethernet PHY



#### 2.trace routing

##### a.Arrangement Tx and Rx trace

@Tx+/- and Rx+/- trace avoid right angle signal trace,suggest round angle >90°

Bad

Good



@Trace width must be wide that should be 2 times default value of layout software minimum request or wider than 8 miles.

@Signal trace length between Tx+/- differential pairs should be cross to equal length the total should no longer than 2 cm.The same requirement applies to Rx+/-.

@Make Tx and Rx trace route at the same signal plane and had better not using vias.

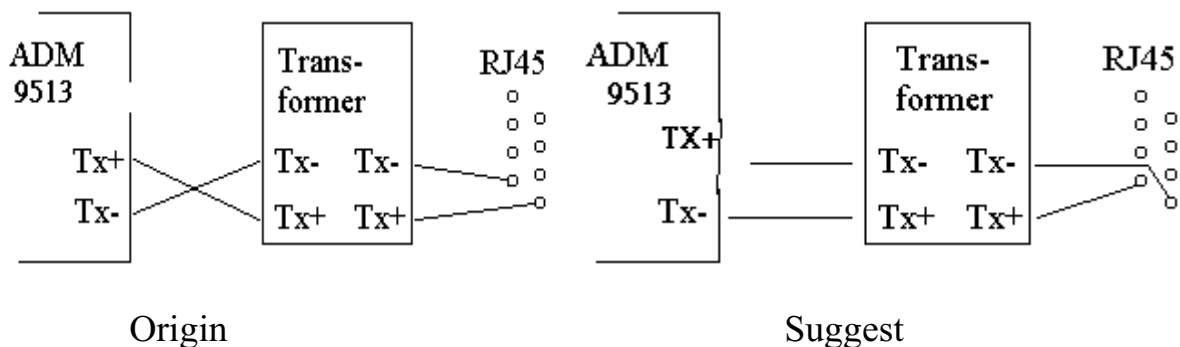
@Every differential pairs as cross as possible, but no less than 8 miles and the space should be almost equal .

@Keep the distance between the Tx and Rx differential pairs large, even separated ground planes underneath Tx and Rx signal pairs.

@Away from clock and power trace.

@If possible, with GND plane around.

@If Tx rount trace must cross, it should be swapped between chip and transformer.Transformer to RJ45 is also ,too.



# ADMtek Incorporated

## ADM 9513

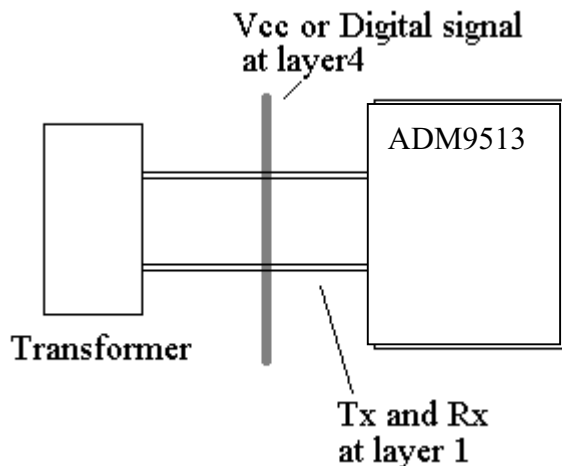
### LAN/Modem Controller with Embedded Fast Ethernet PHY



@The high frequency signal trace width is 10~12mil.

@PCI clk signal trace length must be equal 2.5inch and other PCI bus signal trace length should be less than 1.5 inch

b. Digital signal should be away from analog signal and power trace. If it can't be avoided, it is better to cross over by 90 degree with analog/Vcc routing at other planes.



c. Vcc trace should be short and prefer to route in the format of the plane with a special for GND.

### 3. Vcc and GND

a. Vcc power:

@Avoid unnecessary trace being Vcc to IC and devices. keep these traces short and wide.

@Power trace width > 40 mils ( if power trace route to the other side. It must use several via to connect each other).

@Power source use bulk capacitors (22~47uf) to reduce noise.

@Provide ample power and ground planes

ADMtek Incorporated

1F, No9, Industrial E. 9<sup>th</sup> Road

Science-Based Industrial Park

300 Hsinchu, Taiwan, R.O.C.

Tel:886-3-5788879 Fax: 886-3-5788871

ADMtek Incorporated Confidential

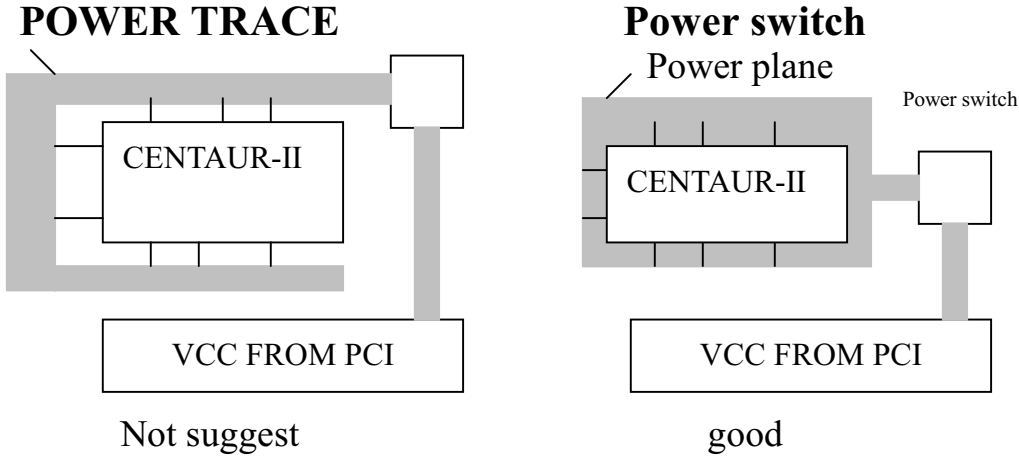
<http://www.admtek.com.tw>

Version: 1.1

**ADMtek Incorporated**

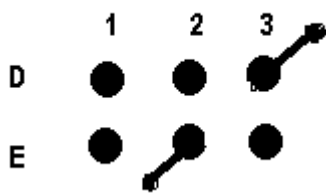
**ADM 9513**

**LAN/Modem Controller with Embedded Fast Ethernet PHY**



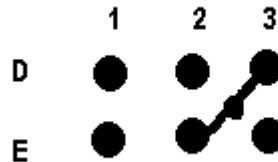
c.GND plane

- @It is a good idea to fill in unused areas of signal planes with solid copper
- @The signal ground region should be one continuous ,unbroken plane extending from the transformer through the rest of the board.
- @On right angle is recommend when partition the Vcc and GND planes.
- @For EMI consideration, add 0.1uF ceramic capacitors between system GND and chassis GND.
- @Void the power and ground planes directly underneath the transformer and Pctl 303D/W circuit.
- @The isolation voltage of the transformer should be rated to be greater than 2kv.
- @There is an example of Vcc and GND planes below.
- @ADM9513 pin E2 and pin D3 connect together first then connect to GND



Different GND via

Bad



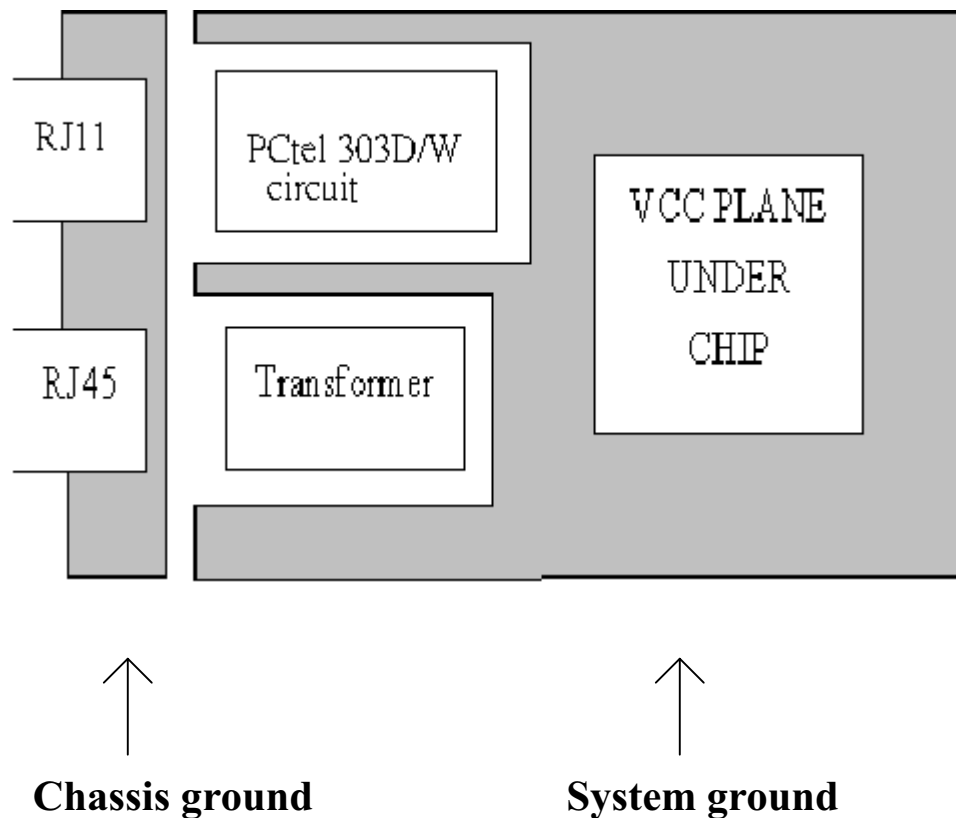
use signal GND via

Good

# ADMtek Incorporated

## ADM 9513

LAN/Modem Controller with Embedded Fast Ethernet PHY



#### 4. Software modem layout guide

Please reference Pritel demo board schematic , this schematic also include layout guide in it .

ADMtek Incorporated  
1F, No9, Industrial E. 9<sup>th</sup> Road  
Science-Based Industrial Park  
300 Hsinchu, Taiwan, R.O.C.

Version: 1.1

Tel:886-3-5788879 Fax: 886-3-5788871

ADMtek Incorporated Confidential

<http://www.admtek.com.tw>