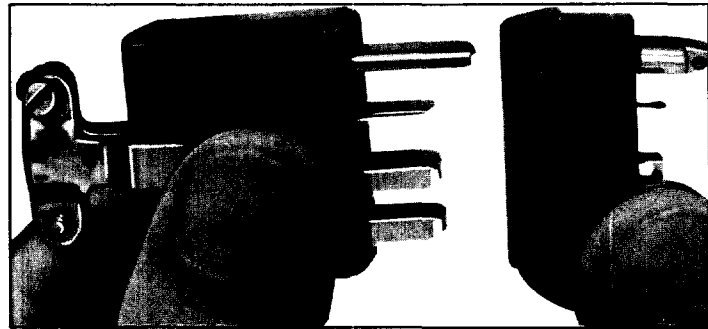
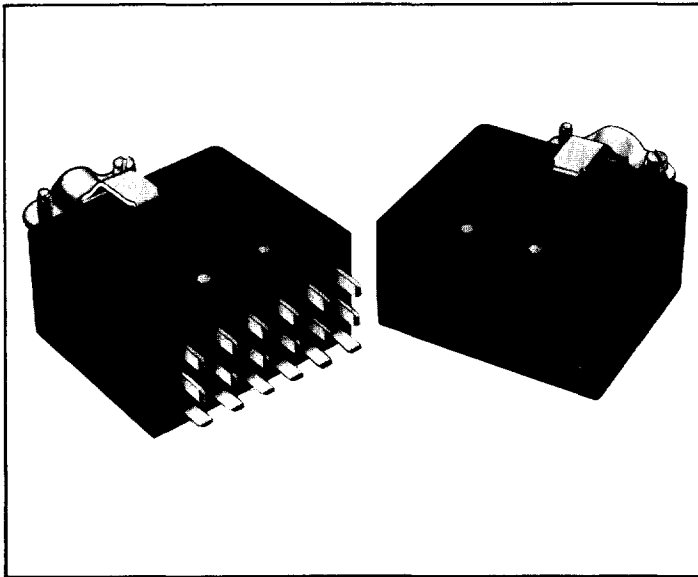


# 10 Amps/Series 3300



## Pre-grounding connectors for greater safety

Vernitron gives you the greater safety of U.L. recognized, CSA certified pre-grounding plug and socket connectors. The extra long grounding contact engages before any other active contacts are mated.

With the longer pre-grounding contact, you will never have to cut any contacts to a shorter length to achieve a safer connection. No more costly, time-consuming hand cutting operations — and you attain the lowest installed cost.

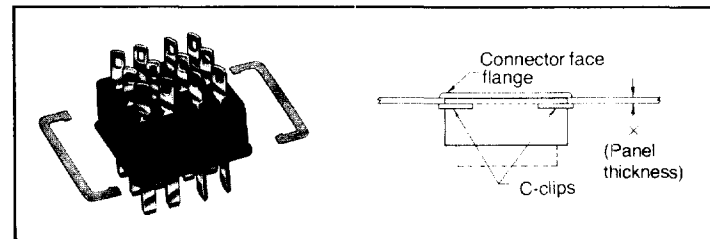
The pre-grounding connectors are available in a large variety of styles — for chassis and cable mounting, with various types of mounting hardware, locking devices, etc. For sizes and dimensions, see pages 8-12.

## For panel and cable mounting

Beu 3300 connectors are completely interchangeable with "Series 300 type" connectors. They are designed for panel and cable mounting using a wide variety of hardware. The many important features of the 3300 series are described in the introduction to this catalog (see pages 2 thru 4). All other data on this series is given starting on this page, through page 13.

**Electrical rating:** Individual contacts are rated at 10 amps, 750 volts rms. Current rating and voltage in excess of 250 volts ac or dc are rated according to applicable specifications for electrical equipment in which these connectors are used and with respect to operating temperatures.

**Typical applications** for 3300 connectors are office machines, communication equipment, security systems, machine controls, vending machines, medical equipment, amusement machines, test equipment, measuring instruments, data processing equipment, teaching machines, etc.



## C-clips for fast panel mounting

**SCC C-clips.** These exclusive C-clips make it possible to mount Beu connectors in 1/4th the time normally required. No holes to drill. No screws, bolts or rivets to fasten. Just slide on a pair of C-clips and the connector is secure. The clips seat into a groove and grip the body of the connector, parallel to the molded face flange.

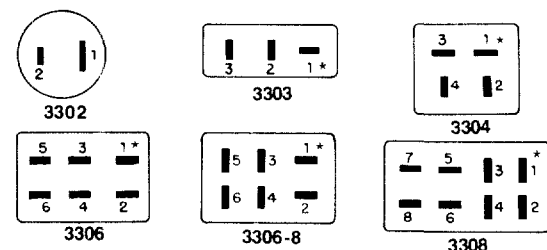
Panel thickness (dimension X) must be specified by the customer in thousandths of an inch (or mm) when ordering.

Available in 3302 through 3312 (2 to 12 contacts). For sizes and dimensions, see pages 10-11.

**SCC Tools.** Hand tools for inserting C-clips. Makes job even quicker. Available in three sizes: SCC-1 for 3303 — SCC-2 for 3304-3310 — SCC-3 for 3312

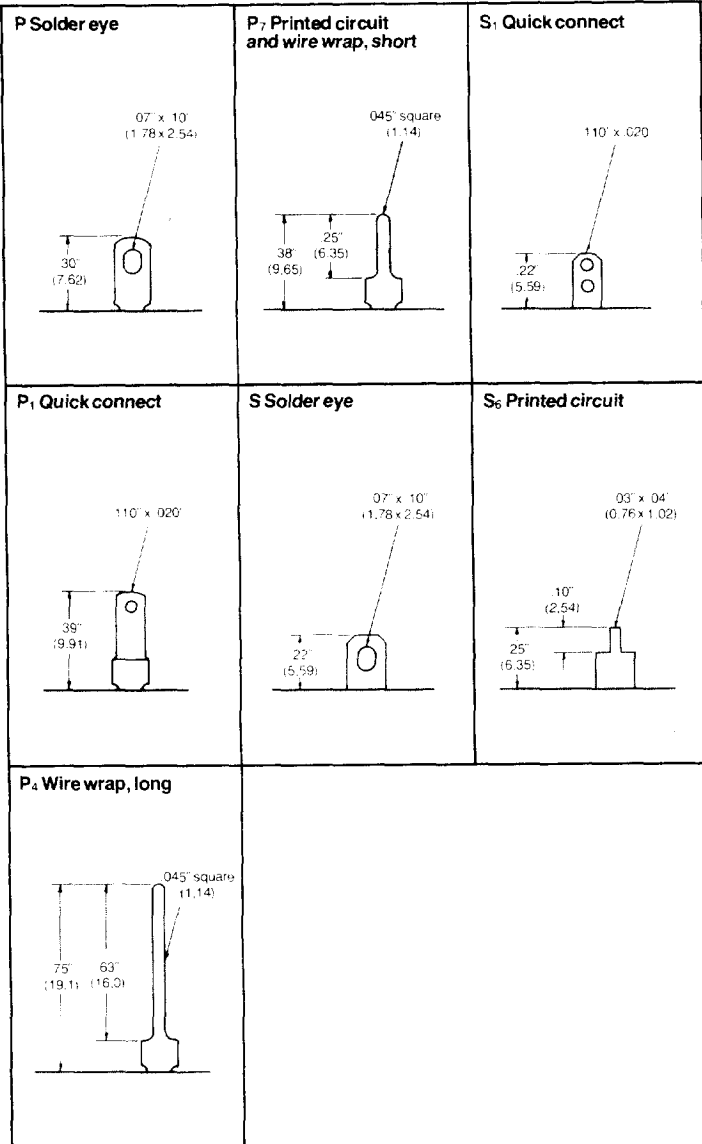
## Contact orientation

The polarization arrangement numbers shown at right are for sockets, as viewed from the wiring side. Plug numbering is the opposite. A heavy-duty polarizing/ground contact is in position 14 for Nos. 3324, 3327, 3330 and in position 17 for No. 3333.



## Contact tails

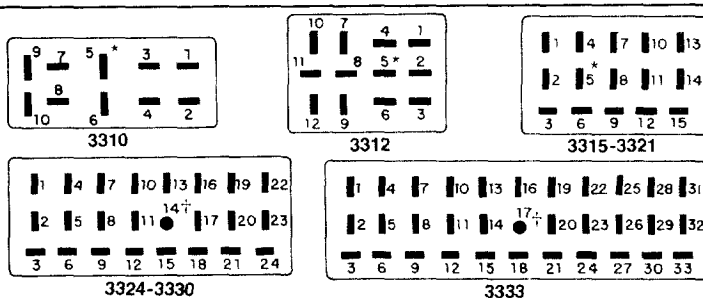
Vernitron offers the widest selection of contact tails — all available off the shelf. To specify, add sub-number to catalog number; example: S<sub>6</sub> - 3312. For solder eye contact tails, no sub-number is needed.



Figures in parenthesis are millimeters.

## Specifications

Current rating, individual contacts	10 amps
Voltage rating, rms	750 volts; 250 volts (U.L. ▲)
Standards	U.L. recognized (File No. E34763) CSA certified (File No. 22156)
No. of contacts — Standard series	2 to 33
Pre-grounding	3 to 33 (incl grounding contact)
Plug contact material	Brass, cadmium plated
Plug contact dimensions (exposed contact surface)	.39"L x .14"W x .05" thick (9.9 x 3.6 x 1.3mm)
Socket contact	Phosphor bronze, cadmium plated. Double-wipe contact engages both sides of plug contacts
Pre-grounding contact rating	Up to 30 amps at rated voltages
Pre-grounding contact material	Heavy-duty plated brass
Contact plating options (add dash number to catalog number)	-03: .0003" (8μm) silver -04: .000015" (0.4μm) gold over .0002" (5μm) nickel -05: .00001" (0.3μm) rhodium over .0002" (5μm) nickel
Base insulating material	High-grade phenolic, black
Backshell materials	Thermoplastic (standard) Metal (option -M)
Backshell handles	Available for 3315 thru 3333 Consult factory
Hardware materials/finishes —	
Cable clamp, screws, latch and keeper, angle bracket, 63A lock	Steel, bright nickel electroplated
Deep and shallow bracket, flat plate, recessed plate and metal backshells	Steel, baked black wrinkle enamel finish over zinc chromate plating



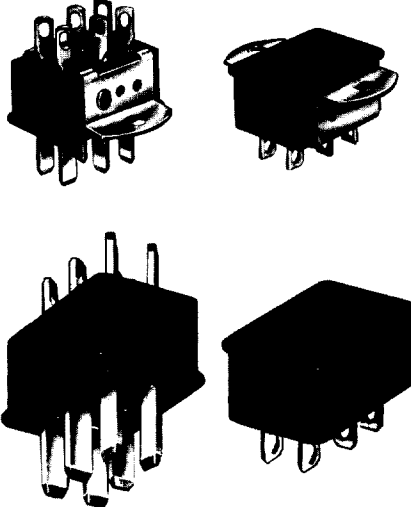
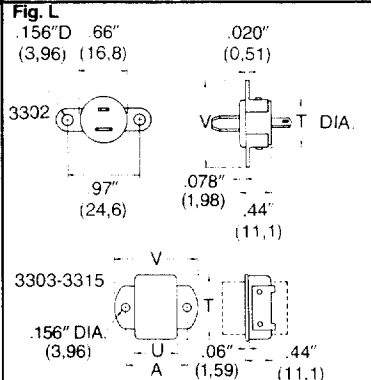
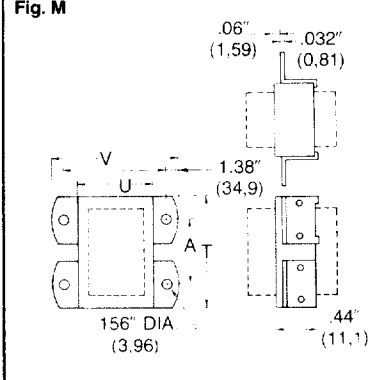
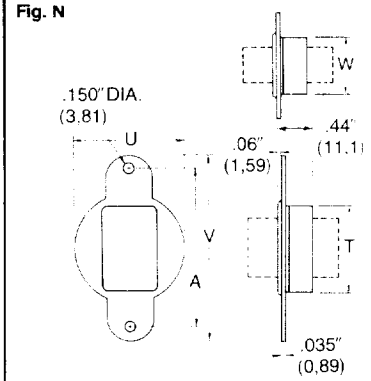
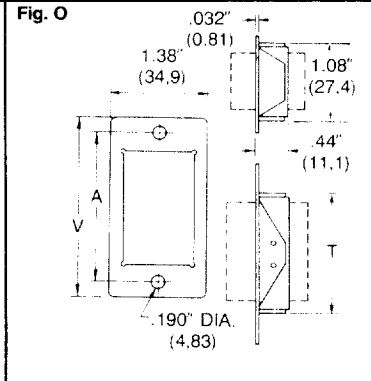
▲U.L. rated at 250V, ac or dc, max between adjacent contacts. U.L. will consider higher voltages depending upon arrangement of live contacts and applicable requirements for equipment in which it is used.

\*In pre-grounding styles, asterisk indicates location of pre-grounding contact.

†In sizes 3324 thru 3333, pre-grounding contact is standard

# 10 Amps/Series 3300

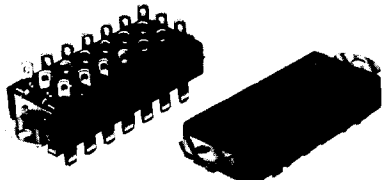
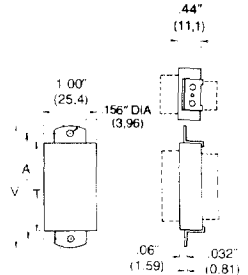
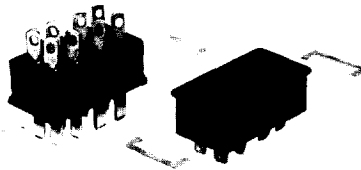
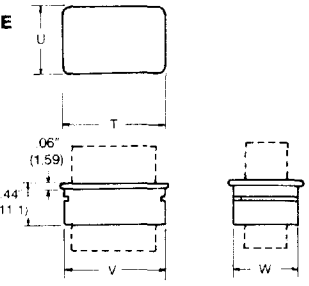
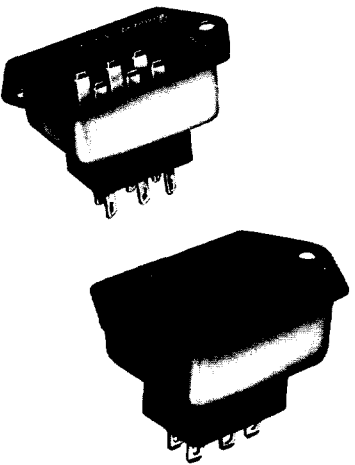
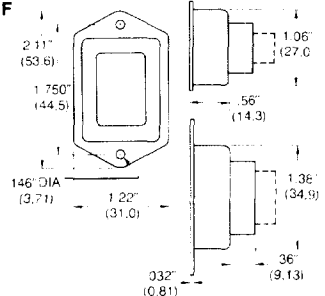



## Panel mounting styles

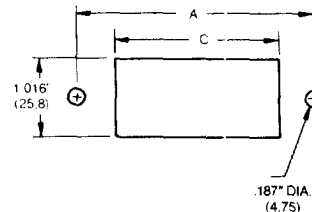
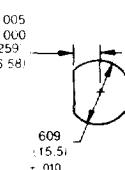
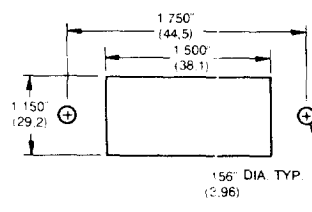
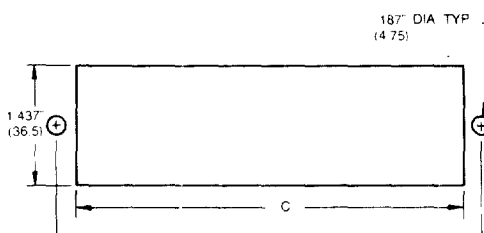
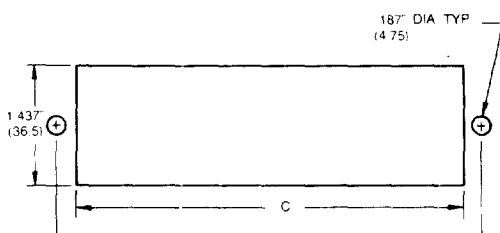
Mounting hardware	Connector dimension drawings Dimensions: inches (mm)	No. of Contacts	Cat. No. Plug (P-), Socket (S-), Pre-grounding (PG- and SG-)	Connector dimensions								
				T		U		V		W		
				In.	mm	In.	mm	In.	mm	In.	mm	
<b>AB</b> Angle Bracket $\Delta$ <b>ABT</b> Angle Bracket Tapped (6-32 $\Delta$ ) <b>LAB</b> Less Angle Bracket  	<b>Fig. L</b> .156" DIA. (3,96) .66" (16,8) .020" (0,51)  3302 97" (24,6) .078" (1,98) .44" (11,1) 3303-3315 .156" DIA. (3,96) U .06" (1,59) .44" (11,1)	2	3302*	.66	16,7	—	—	1.27	32,1	—	—	
		3	3303	1.00	25,4	.44	11,1	1.06	27,0	—	—	
		4	3304	.75	19,1	.69	17,5	1.31	33,3	—	—	
		6	3306	1.00	25,4	.69	17,5	1.31	33,3	—	—	
		6	3306-8	1.00	25,4	.69	17,5	1.31	33,3	—	—	
		8	3308	1.25	31,8	.69	17,5	1.31	33,3	—	—	
		10	3310	1.56	39,7	.69	17,5	1.31	33,3	—	—	
		12	3312	1.25	31,8	.94	23,8	1.56	39,7	—	—	
		15	3315	1.63	41,3	1.00	25,4	1.69	42,9	—	—	
		<b>Fig. M</b> .06" (1,59) .032" (0,81)  1.38" (34,9) .44" (11,1) 156" DIA. (3,96)	18	3318	1.94	49,2	1.00	25,4	1.69	42,9	—	—
			21	3321	2.25	57,2	1.00	25,4	1.69	42,9	—	—
			24	3324	2.56	65,1	1.00	25,4	1.69	42,9	—	—
			27	3327	2.88	73,0	1.00	25,4	1.69	42,9	—	—
			30	3330	3.19	81,0	1.00	25,4	1.69	42,9	—	—
			33	3333	3.50	88,9	1.00	25,4	1.69	42,9	—	—
<b>Fig. N</b> .150" DIA. (3,81) .44" (11,1) .06" (1,59) .035" (0,89) 	2		3302*	.59D	15,1	1.25	31,8	2.00	50,8	—	—	
	3	3303	.94	23,8	1.25	31,8	2.00	50,8	.38	9,53		
	4	3304	.69	17,5	1.25	31,8	2.00	50,8	.63	15,9		
	6	3306	.94	23,8	1.25	31,8	2.00	50,8	.63	15,9		
	6	3306-8	.94	23,8	1.25	31,8	2.00	50,8	.63	15,9		
	8	3308	1.19	30,2	1.75	44,5	2.50	63,5	.63	15,9		
	10	3310	1.50	38,1	1.75	44,5	2.50	63,5	.63	15,9		
	12	3312	1.19	30,2	1.75	44,5	2.50	63,5	.88	22,2		
	<b>Fig. O</b> .032" (0,81) 1.38" (34,9) 1.08" (27,4) .44" (11,1) .190" DIA. (4,83) 	15	3315	1.69	42,9	—	—	2.55	64,7	—	—	
		18	3318	2.00	50,8	—	—	2.86	72,6	—	—	
21		3321	2.31	58,7	—	—	3.17	80,6	—	—		
24		3324	2.63	66,7	—	—	3.48	88,5	—	—		
27		3327	2.94	74,6	—	—	3.80	96,4	—	—		
30		3330	3.25	82,6	—	—	4.11	104	—	—		
33		3333	3.56	90,5	—	—	4.42	112	—	—		

Polarizing Pin No.	Panel mounting dimensions (suggested)				Cat. No. Plug (P-). Socket (S-). Pre-grounding (PG- and SG-)	Panel dimension drawings (suggested) Dimensions: inches (mm)
	Fig. No.	A in. mm	B in. mm	C in. mm		
1	D	.969 24,6	— —	— —	3302*	<p>Fig. D</p> <p>Fig. E</p> <p>Fig. F</p>
—	E	.750 19,1	1.016 25,8	.453 11,5	3303	
—	F	1.000 25,4	.781 19,8	.719 18,3	3304	
—	E	1.000 25,4	1.031 26,2	.719 18,3	3306	
—	E	1.000 25,4	1.031 26,2	.719 18,3	3306-8	
—	F	1.000 25,4	1.281 32,5	.719 18,3	3308	
—	F	1.000 25,4	1.578 40,1	.719 18,3	3310	
—	F	1.250 31,8	1.266 32,2	.953 24,2	3312	
—	F	1.375 34,9	1.640 41,7	1.016 25,8	3315	
—	G	1.250 31,8	1.953 49,6	— —	3318	
—	G	.938 23,8	2.265 57,5	— —	3321	
14	G	1.250 31,8	2.578 65,5	— —	3324	
14	G	1.562 39,7	2.890 73,4	— —	3327	
14	G	1.875 47,6	3.203 81,4	— —	3330	
17	G	2.188 55,6	3.515 89,3	— —	3333	
—	H	— —	— —	— —	3302*	<p>Fig. H</p> <p>Fig. J</p>
—	J	1.750 44,5	.516 13,1	.953 24,2	3303	
—	J	1.750 44,5	.703 17,9	.766 19,5	3304	
—	J	1.750 44,5	.766 19,5	.953 24,2	3306	
—	J	1.750 44,5	.766 19,5	.953 24,2	3306-8	
—	J	2.250 57,2	.766 19,5	1.203 30,6	3308	
—	J	2.250 57,2	.766 19,5	1.516 38,5	3310	
—	J	2.250 57,2	1.063 27,0	1.203 30,6	3312	
—	K	2.125 54,0	1.156 29,4	1.750 44,5	3315	
—	K	2.437 61,9	1.156 29,4	2.062 52,4	3318	
—	K	2.750 69,9	1.156 29,4	2.375 60,3	3321	
14	K	3.062 77,8	1.156 29,4	2.687 68,2	3324	
14	K	3.375 85,7	1.156 29,4	3.000 76,2	3327	
14	K	3.687 93,6	1.156 29,4	3.312 84,1	3330	
14	K	4.000 102	1.156 29,4	3.625 92,1	3333	

# 10 Amps/Series 3300

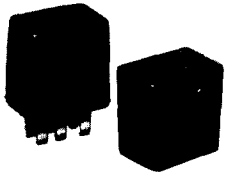
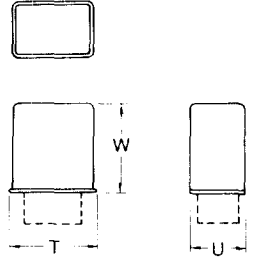
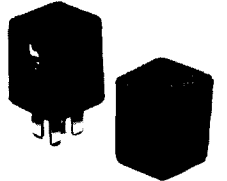
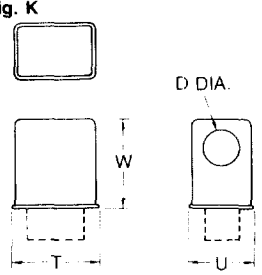
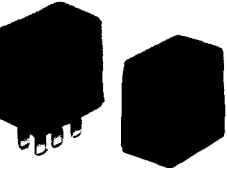
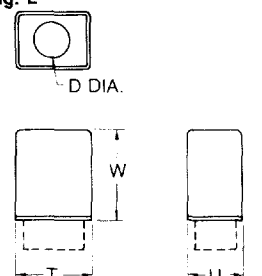
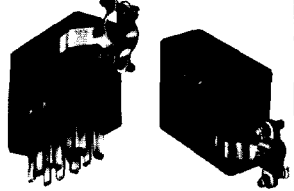
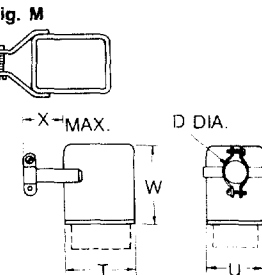
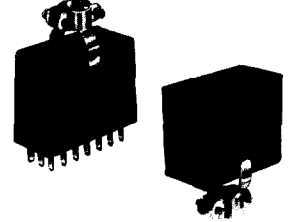
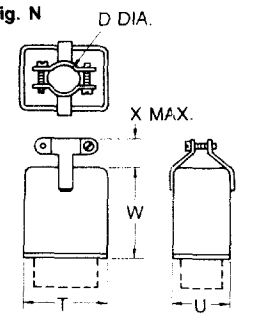
## Panel mounting styles

Mounting hardware	Connector dimension drawings Dimensions: inches (mm)	No. of Contacts	Cat. No. Plug (P-), Socket (S-), Pre-grounding (PG- and SG-)	Connector dimensions									
				T In. mm	U In. mm	V In. mm	W In. mm						
<b>EB</b> End Bracket <b>EBT</b> End Bracket Tapped (6-32) 	<b>Fig. D</b> 	15	3315	1.63	41.3	—	—	2.31	58.7	—	—		
		18	3318	1.94	49.2	—	—	2.63	66.7	—	—		
		21	3321	2.25	57.2	—	—	2.94	74.6	—	—		
		24	3324	2.56	65.1	—	—	3.25	82.6	—	—		
		27	3327	2.88	73.0	—	—	3.56	90.5	—	—		
		30	3330	3.19	81.0	—	—	3.88	98.4	—	—		
		33	3333	3.50	88.9	—	—	4.19	106	—	—		
<b>SCC</b> Snap C-Clip  Specify panel thickness when ordering.	<b>Fig. E</b> 	2	3302*	.66D	16.7	—	—	.59D	15.1	—	—		
		3	3303	1.00	25.4	.44	11.1	.94	23.8	.38	9.53		
		4	3304	.75	19.1	.69	17.5	.69	17.5	.63	15.9		
		6	3306	1.00	25.4	.69	17.5	.94	23.8	.63	15.9		
		6	3306-8	1.00	25.4	.69	17.5	.94	23.8	.63	15.9		
		8	3308	1.25	31.8	.69	17.5	1.19	30.2	.63	15.9		
		10	3310	1.56	39.7	.69	17.5	1.50	38.1	.63	15.9		
		12	3312	1.25	31.8	.94	23.8	1.19	30.2	.88	22.2		
		<b>DB</b> Deep Bracket 	<b>Fig. F</b> 	2	3302*	—	—	—	—	—	—	—	—
				3	3303 $\Delta$	—	—	—	—	—	—	—	—
4	3304 $\Delta$			—	—	—	—	—	—	—	—	—	
6	3306			—	—	—	—	—	—	—	—	—	
6	3306-8			—	—	—	—	—	—	—	—	—	
12	3308			—	—	—	—	—	—	—	—	—	
<b>Fig. G</b> 	15		3315	2.00	50.8	—	—	2.81	71.4	—	—		
	18		3318	2.31	58.7	—	—	3.13	79.4	—	—		
	21		3321	2.63	66.7	—	—	3.44	87.3	—	—		
	24		3324	2.94	74.6	—	—	3.75	95.3	—	—		
	27		3327	3.25	82.6	—	—	4.06	103	—	—		
	33		3333	3.88	98.4	—	—	4.69	119	—	—		
<b>RP</b> Recessed Plate 	<b>Fig. H</b> 	2	3302*	1.03D	26.2	1.50D	38.1	2.06	52.4	—	—		
		3	3303 $\Delta$	1.03D	26.2	1.50D	38.1	2.06	52.4	—	—		
		4	3304 $\Delta$	1.03D	26.2	1.50D	38.1	2.06	52.4	—	—		
		6	3306	1.03D	26.2	1.50D	38.1	2.06	52.4	—	—		
		6	3306-8	1.03D	26.2	1.50D	38.1	2.06	52.4	—	—		
		8	3308	1.81D	46.0	2.00D	50.8	2.56	65.1	—	—		
		10	3310	1.81D	46.0	2.00D	50.8	2.56	65.1	—	—		
		12	3312	1.81D	46.0	2.00D	50.8	2.56	65.1	—	—		

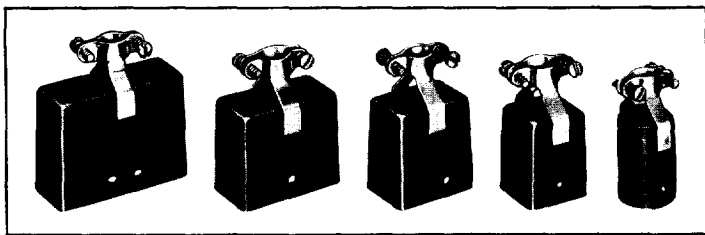
Polarizing Pin No.	Panel mounting dimensions (suggested)				Cat. No. Plug (P-), Socket (S-), Pre-grounding (PG- and SG-)	Panel dimension drawings (suggested)  Dimensions: inches (mm)		
	Fig. No.	A		B			C	
		in.	mm	in.	mm	in.	mm	
—	L	2.000	50,8	—	—	1.641	41,7	3315 3318 3321 3324 3327 3330 3333  Fig. L 
—	L	2.313	58,8	—	—	1.953	49,6	
—	L	2.625	66,7	—	—	2.266	57,6	
14	L	2.938	74,6	—	—	2.578	65,5	
14	L	3.250	82,6	—	—	2.891	73,4	
14	L	3.563	90,5	—	—	3.203	81,4	
17	L	3.875	98,4	—	—	3.516	89,3	
—	M	—	—	—	—	—	—	3302* 3303 3304 3306 3306-8 3308 3310 3312  Fig. M 
—	N	—	—	.385	9,78	.950	24,1	
—	N	—	—	.635	16,1	.698	17,7	
—	N	—	—	.635	16,1	.950	24,1	
—	N	—	—	.635	16,1	.950	24,1	
—	N	—	—	.635	16,1	1.198	30,4	
—	N	—	—	.635	16,1	1.510	38,4	
—	N	—	—	.885	22,5	1.198	30,4	
—	P	—	—	—	—	—	—	3302* 3303 3304 3306 3306-8 3308 3312  Fig. P 
—	P	—	—	—	—	—	—	
—	P	—	—	—	—	—	—	
—	P	—	—	—	—	—	—	
—	P	—	—	—	—	—	—	
—	P	—	—	—	—	—	—	
—	P	—	—	—	—	—	—	
—	Q	2.375	60,3	—	—	2.000	50,8	3315 3318 3321 3324 3327 3330 3333  Fig. Q 
—	Q	2.687	68,2	—	—	2.312	58,7	
—	Q	3.000	76,2	—	—	2.625	66,7	
14	Q	3.312	84,1	—	—	2.937	74,6	
14	Q	3.625	92,1	—	—	3.250	82,6	
14	Q	3.937	100	—	—	3.562	90,5	
17	Q	4.250	108	—	—	3.875	98,4	
—	R	1.750	44,5	1.360	34,5	—	—	3302* 3303 3304 3306 3306-8 3308 3312  Fig. R 
—	R	1.750	44,5	1.360	34,5	—	—	
—	R	1.750	44,5	1.360	34,5	—	—	
—	R	1.750	44,5	1.360	34,5	—	—	
—	R	1.750	44,5	1.360	34,5	—	—	
—	R	2.250	57,2	1.860	47,2	—	—	
—	R	2.250	57,2	1.860	47,2	—	—	
—	R	2.250	57,2	1.860	47,2	—	—	

# 10 Amps/Series 3300

## Cable mounting styles

Mounting hardware	No. of Contacts	Cat. No. — Plug (P.), Socket (S-), Pre-grounding (PG- and SG-)	Connector dimensions						Connector dimension drawings				
			D†		T		U			W		X	
			In.	mm	In.	mm	In.	mm		In.	mm	In.	mm
<b>BBS</b> Blank Back Shell 	2	3302*	—	—	.660	16,7D	—	—	.97	24,6	—	—	Fig. J 
	3	3303▲	—	—	1.00	25,4	.44	11,1	.97	24,6	—	—	
	4	3304▲	—	—	.75	19,1	.69	17,5	.97	24,6	—	—	
	6	3306	—	—	1.00	25,4	.69	17,5	1.06	27,0	—	—	
	6	3306-8	—	—	1.00	25,4	.69	17,5	1.06	27,0	—	—	
	8	3308	—	—	1.25	31,8	.69	17,5	1.06	27,0	—	—	
	10	3310	—	—	1.56	39,7	.69	17,5	1.19	30,2	—	—	
	12	3312	—	—	1.25	31,8	.94	23,8	1.19	30,2	—	—	
	15	3315	—	—	1.78	45,2	1.16	29,4	1.75	44,5	—	—	
	18	3318	—	—	2.08	52,8	1.16	29,4	1.75	44,5	—	—	
	21	3321	—	—	2.34	59,5	1.16	29,4	1.75	44,5	—	—	
	24	3324	—	—	2.78	70,6	1.16	29,4	1.75	44,5	—	—	
	27	3327	—	—	3.00	76,2	1.16	29,4	1.75	44,5	—	—	
	30	3330	—	—	3.34	84,9	1.16	29,4	1.75	44,5	—	—	
33	3333	—	—	3.66	92,9	1.16	29,4	1.75	44,5	—	—		
<b>FHE</b> Flared Hole End 	3	3303▲	.31	7,9	1.00	25,4	.44	11,1	.97	24,6	—	—	Fig. K 
	4	3304▲	.38	9,5	.75	19,1	.69	17,5	.97	24,6	—	—	
	6	3306	.44	11,1	1.00	25,4	.69	17,5	1.06	27,0	—	—	
	6	3306-8	.44	11,1	1.00	25,4	.69	17,5	1.06	27,0	—	—	
	8	3308	.50	12,7	1.25	31,8	.69	17,5	1.06	27,0	—	—	
	10	3310	.50	12,7	1.56	39,7	.69	17,5	1.19	30,2	—	—	
	12	3312	.56	14,3	1.25	31,8	.94	23,8	1.19	30,2	—	—	
	15	3315	.56	14,3	1.78	45,2	1.16	29,4	1.75	44,5	—	—	
	18	3318	.56	14,3	2.08	52,8	1.16	29,4	1.75	44,5	—	—	
	21	3321	.63	15,9	2.34	59,5	1.16	29,4	1.75	44,5	—	—	
	24	3324	.63	15,9	2.78	70,6	1.16	29,4	1.75	44,5	—	—	
	27	3327	.63	15,9	3.00	76,2	1.16	29,4	1.75	44,5	—	—	
	30	3330	.75	19,0	3.34	84,9	1.16	29,4	1.75	44,5	—	—	
	33	3333	.75	19,0	3.66	92,9	1.16	29,4	1.75	44,5	—	—	
<b>FHT</b> Flared Hole Top 	2	3302*	.38	9,5	.660	16,7D	—	—	.97	24,6	—	—	Fig. L 
	3	3303▲	.31	7,9	1.00	25,4	.44	11,1	.97	24,6	—	—	
	4	3304▲	.38	9,5	.75	19,1	.69	17,5	.97	24,6	—	—	
	6	3306	.44	11,1	1.00	25,4	.69	17,5	1.06	27,0	—	—	
	6	3306-8	.44	11,1	1.00	25,4	.69	17,5	1.06	27,0	—	—	
	8	3308	.50	12,7	1.25	31,8	.69	17,5	1.06	27,0	—	—	
	10	3310	.50	12,7	1.56	39,7	.69	17,5	1.19	30,2	—	—	
	12	3312	.56	14,3	1.25	31,8	.94	23,8	1.19	30,2	—	—	
	15	3315	.56	14,3	1.78	45,2	1.16	29,4	1.75	44,5	—	—	
	18	3318	.56	14,3	2.08	52,8	1.16	29,4	1.75	44,5	—	—	
	21	3321	.63	15,9	2.34	59,5	1.16	29,4	1.75	44,5	—	—	
	24	3324	.63	15,9	2.78	70,6	1.16	29,4	1.75	44,5	—	—	
	27	3327	.63	15,9	3.00	76,2	1.16	29,4	1.75	44,5	—	—	
	30	3330	.75	19,0	3.34	84,9	1.16	29,4	1.75	44,5	—	—	
33	3333	.75	19,0	3.66	92,9	1.16	29,4	1.75	44,5	—	—		
<b>CCE</b> Cable Clamp End 	3	3303▲	.31	7,9	1.00	25,4	.44	11,1	.97	24,6	.50	12,7	Fig. M 
	4	3304▲	.38	9,5	.75	19,1	.69	17,5	.97	24,6	.50	12,7	
	6	3306	.44	11,1	1.00	25,4	.69	17,5	1.06	27,0	.50	12,7	
	6	3306-8	.44	11,1	1.00	25,4	.69	17,5	1.06	27,0	.50	12,7	
	8	3308	.50	12,7	1.25	31,8	.69	17,5	1.06	27,0	.50	12,7	
	10	3310	.50	12,7	1.56	39,7	.69	17,5	1.19	30,2	.50	12,7	
	12	3312	.56	14,3	1.25	31,8	.94	23,8	1.19	30,2	.50	12,7	
	15	3315	.56	14,3	1.78	45,2	1.16	29,4	1.75	44,5	.75	19,1	
	18	3318	.56	14,3	2.08	52,8	1.16	29,4	1.75	44,5	.75	19,1	
	21	3321	.63	15,9	2.34	59,5	1.16	29,4	1.75	44,5	.75	19,1	
	24	3324	.63	15,9	2.78	70,6	1.16	29,4	1.75	44,5	.75	19,1	
	27	3327	.63	15,9	3.00	76,2	1.16	29,4	1.75	44,5	.75	19,1	
	30	3330	.75	19,0	3.34	84,9	1.16	29,4	1.75	44,5	.75	19,1	
	33	3333	.75	19,0	3.66	92,9	1.16	29,4	1.75	44,5	.75	19,1	
<b>CCT</b> Cable Clamp Top 	2	3302*	.38	9,5	.660	16,7D	—	—	.97	24,6	.50	12,7	Fig. N 
	3	3303▲	.31	7,9	1.00	25,4	.44	11,1	.97	24,6	.50	12,7	
	4	3304▲	.38	9,5	.75	19,1	.69	17,5	.97	24,6	.50	12,7	
	6	3306	.44	11,1	1.00	25,4	.69	17,5	1.06	27,0	.50	12,7	
	6	3306-8	.44	11,1	1.00	25,4	.69	17,5	1.06	27,0	.50	12,7	
	8	3308	.50	12,7	1.25	31,8	.69	17,5	1.06	27,0	.50	12,7	
	10	3310	.50	12,7	1.56	39,7	.69	17,5	1.19	30,2	.50	12,7	
	12	3312	.56	14,3	1.25	31,8	.94	23,8	1.19	30,2	.50	12,7	
	15	3315	.56	14,3	1.78	45,2	1.16	29,4	1.75	44,5	.75	19,1	
	18	3318	.56	14,3	2.08	52,8	1.16	29,4	1.75	44,5	.75	19,1	
	21	3321	.63	15,9	2.34	59,5	1.16	29,4	1.75	44,5	.75	19,1	
	24	3324	.63	15,9	2.78	70,6	1.16	29,4	1.75	44,5	.75	19,1	
	27	3327	.63	15,9	3.00	76,2	1.16	29,4	1.75	44,5	.75	19,1	
	30	3330	.75	19,0	3.34	84,9	1.16	29,4	1.75	44,5	.75	19,1	
33	3333	.75	19,0	3.66	92,9	1.16	29,4	1.75	44,5	.75	19,1		

# Cable mounting hardware



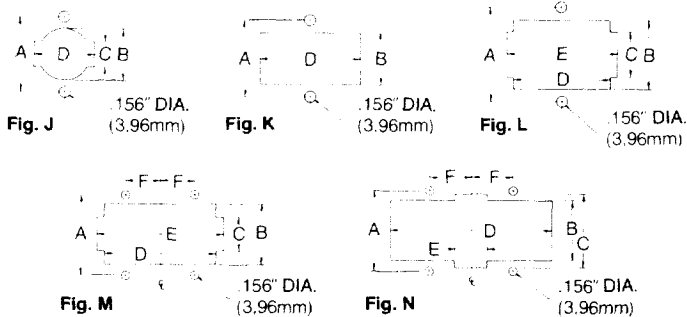
## Backshells

**Thermoplastic** (standard). These molded thermoplastic backshells, exclusively from Vernetron, provide greater dielectric strength — and greater safety than metal backshells. They are also highly resilient, non-denting, non-rusting, acid resistant. U.L. recognized. CSA certified. Color, black.

**Metal** (option -M). Available upon request. Made of zinc plated steel, chromate dipped and painted with baked black wrinkle enamel finish. Furnished with molded vinyl or insulating paper liners. U.L. recognized. CSA certified.

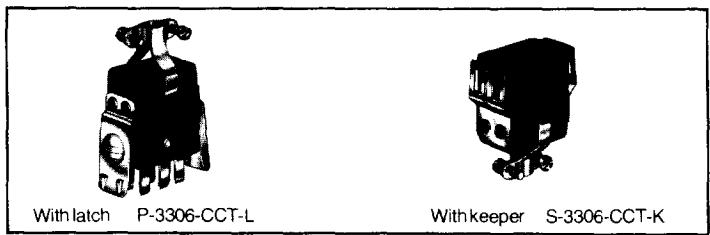
## Panel latch (-L)

For locking a cable-mounted connector with latch to a panel-mounted connector. Used with AB angle bracket and ABT angle bracket tapped mounting hardware. The latch will engage chassis up to 1/16" thick, maximum. For latching thicker panels, consult factory. Connector sizes and panel mounting dimensions are shown in the table and drawings below. Both plug and socket can be equipped with a latch (-L).



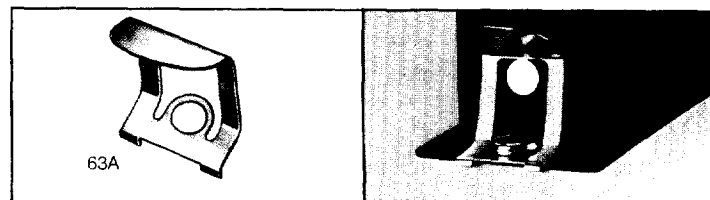
Panel mounting dimensions (suggested)													
Connector size	Fig. No.	A		B		C		D		E		F	
		in.	mm	in.	mm	in.	mm	in.	mm	in.	mm	in.	mm
3302	J	.97	24,6	.67	17,0	.31	7,9	.80	20,3	—	—	—	—
3303	K <sup>A</sup>	.75	19,1	.45	11,4	—	—	1.14	29,0	—	—	—	—
3304	L	1.00	25,4	.72	18,3	.31	7,9	.78	19,8	.90	22,9	—	—
3306	K <sup>A</sup>	1.00	25,4	.72	18,3	—	—	1.16	29,5	—	—	—	—
3306-8	K <sup>A</sup>	1.00	25,4	.72	18,3	—	—	1.16	29,5	—	—	—	—
3308	K	1.00	25,4	.72	18,3	—	—	1.41	35,8	—	—	—	—
3310	K	1.00	25,4	.72	18,3	—	—	1.70	43,2	—	—	—	—
3312	L	1.25	31,8	.95	24,1	.63	16,0	1.27	32,3	1.44	36,6	—	—
3315	L	1.38	35,1	1.02	25,9	.63	16,0	1.64	41,7	1.94	49,3	—	—
3318	M	1.38	35,1	1.02	25,9	.63	16,0	1.95	49,5	2.25	57,2	.63	16,0
3321	M	1.38	35,1	1.02	25,9	.63	16,0	2.27	57,7	2.56	65,0	.47	11,9
3324	M	1.38	35,1	1.02	25,9	.63	16,0	2.58	65,5	2.88	73,2	.63	16,0
3327	N	1.38	35,1	1.02	25,9	1.31	33,3	2.89	73,4	.63	16,0	.78	19,8
3330	N	1.38	35,1	1.02	25,9	1.31	33,3	3.20	81,3	.63	16,0	.94	23,9
3333	N	1.38	35,1	1.02	25,9	1.31	33,3	3.52	89,4	.63	16,0	1.09	27,7

<sup>A</sup>Mounting holes .03" (0,76mm) off center line.



## Latch (-L) and Keeper (-K)

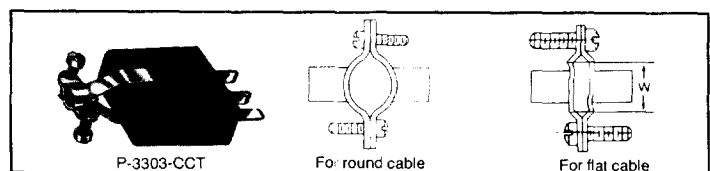
For connecting two cable-mounted connectors. Plug and socket can be equipped with either a latch (-L) or keeper (-K).



## 63A Panel lock and stud

For locking a cable-mounted connector to a panel-mounted connector. In panel mounting applications, the 63A lock mounts with the same screw used to secure the bracket. The stud is built into the backshell; to order, add dash number to connector catalog number (three types available, see table below). Panel locks are ordered separately: Catalog No. 63A (also specify panel mounting style AB, SB or DB).

Mounting hardware	Connector sizes	Stud Cat. No.
AB Angle bracket	3303 thru 3312	-63A-AB
SB Shallow bracket	3315 thru 3333	-63A-SB
DB Deep bracket	3315 thru 3333	-63A-DB



## Cable clamps

Strain relief cable clamps, used with round or flat cable. For top mounting (-CCT) or end mounting (-CCE).

For connector size	Clamp opening, in. (mm)		Clamp Cat. No.	
	min	max		
STANDARD CLAMP SIZES — for round cable				
3302	.13" (3,3) DIA.	.38" ( 9,7) DIA.	34*	
3303	.13" (3,3) DIA.	.38" ( 9,7) DIA.	1234*	
3304 thru 3312	.22" (5,6) DIA.	.50" (12,7) DIA.	35*	
3315 thru 3318	.38" (9,7) DIA.	.72" (18,3) DIA.	36*	
3321 thru 3333	.38" (9,7) DIA.	.84" (21,3) DIA.	36A*	
CLAMP OPTIONS — for round cable				
3315 thru 3333	.45" (11,4) DIA.	.91" (23,1) DIA.	78	
3315 thru 3333	for CCE mating DB	.38" ( 9,7) DIA.	.72" (18,3) DIA.	47
CLAMP OPTIONS — for flat cable				
3302	.11" x .25"W (2,8 x 6,4)	.34" x .25"W (8,6 x 6,4)	17	
3303	.11" x .25"W (2,8 x 6,4)	.34" x .25"W (8,6 x 6,4)	98	
3304 thru 3310	.11" x .38"W (2,8 x 9,7)	.34" x .38"W (8,6 x 9,7)	2	
3312	.11" x .38"W (2,8 x 9,7)	.34" x .38"W (8,6 x 9,7)	59	

\*Order number not required. This clamp size automatically furnished when ordering -CCT or -CCE.