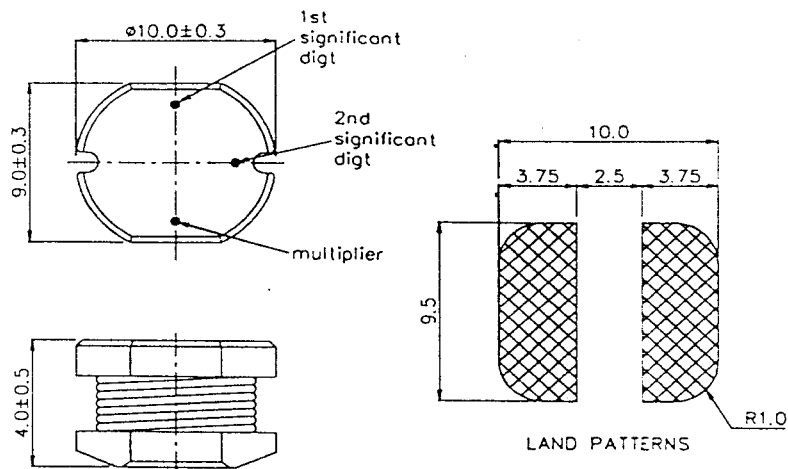


SMD POWER CHOKE CSN104D

MARK INDEX

- 1=BROWN
- 2=RED
- 3=ORANGE
- 4=YELLOW
- 5=GREEN
- 6=BLUE
- 7=PURPLE
- 8=GRAY
- 9=WHITE
- 0=BLACK



UNIT :mm

PART NO.	MARK	INDUCTANCE	TEST FREQ.	D.C.R. (at 20°C) Max. (Ω)	RATED CURRENT (A) ※
CSN104D-100M	103	10 u H ± 20%	2.52 MHz	0.053	2.38
CSN104D-120M	123	12 u H ± 20%	2.52 MHz	0.061	2.13
CSN104D-150M	153	15 u H ± 20%	2.52 MHz	0.070	1.87
CSN104D-180M	183	18 u H ± 20%	2.52 MHz	0.081	1.73
CSN104D-220M	223	22 u H ± 20%	2.52 MHz	0.088	1.60
CSN104D-270M	273	27 u H ± 20%	2.52 MHz	0.100	1.44
CSN104D-330M	333	33 u H ± 20%	2.52 MHz	0.120	1.26
CSN104D-390M	393	39 u H ± 20%	2.52 MHz	0.151	1.20
CSN104D-470M	473	47 u H ± 20%	2.52 MHz	0.170	1.10
CSN104D-560K	563	56 u H ± 10%	2.52 MHz	0.199	1.01
CSN104D-680K	683	68 u H ± 10%	2.52 MHz	0.223	0.91
CSN104D-820K	823	82 u H ± 10%	2.52 MHz	0.252	0.85
CSN104D-101K	104	100 u H ± 10%	1 KHz	0.344	0.74
CSN104D-121K	124	120 u H ± 10%	1 KHz	0.396	0.69
CSN104D-151K	154	150 u H ± 10%	1 KHz	0.544	0.61
CSN104D-181K	184	180 u H ± 10%	1 KHz	0.621	0.56
CSN104D-221K	224	220 u H ± 10%	1 KHz	0.721	0.53
CSN104D-271K	274	270 u H ± 10%	1 KHz	0.949	0.45
CSN104D-331K	334	330 u H ± 10%	1 KHz	1.100	0.42
CSN104D-391K	394	390 u H ± 10%	1 KHz	1.245	0.38
CSN104D-471K	474	470 u H ± 10%	1 KHz	1.526	0.35
CSN104D-561K	564	560 u H ± 10%	1 KHz	1.904	0.32

※ Inductance drop no more than 10% at rated current applied or temperature rise $\Delta t = 40^\circ\text{C}$.



FRONTIER
ELECTRONICS CO., LTD.

FRONTIER ELECTRONICS CO., LTD.

4TH FL. NO.48, MIN CHUAN RD., HSIN TIEN, TAIPEI HSIEN, TAIWAN, R.O.C.

TEL: (02)29147685-9

FAX: (02)29186304

FECLS00025

08/19/99 A