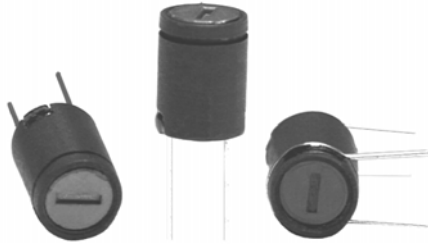


Inductors, Variable, Subminiature, Shielded, Radial Leaded



ELECTRICAL SPECIFICATIONS

Adjustable Inductance Range: Tunable range; $\pm 5\%$ for 0.10 μH to 1 μH . $\pm 10\%$ for 1.2 μH to 1000 μH

Dielectric Strength: 840 V_{RMS} at sea level

Working Voltage: 300 V_{DC}

Maximum Current: Based on temperature rise not to exceed 15 °C at + 90 °C ambient

Incremental Current: The DC current required to cause a five percent reduction in the nominal inductance value

Operating Temperature: - 55 °C to + 105 °C

DENSITY SPECIFICATIONS

Weight: 1.5 g maximum

Shielding: 3 % coupling maximum when two units are tested side by side

FEATURES

- Classification is grade 3, class A
- Subminiature shielded adjustable inductor
- High Q values
- Vertical or horizontal mounting
- Inductance range is 0.10 μH to 1000 μH
- 0.300" [7.62 mm] diameter by 0.400" [10.16 mm] length
- Printed board mounting facilitated by 0.200" [5.08 mm] grid spacing
- Unit has shield construction to allow maximum density packaging
- Accommodates close inductance adjustments in high density circuits that demand exceptional stability and high "Q" in the smallest size available
- Compliant to RoHS Directive 2002/95/EC



RoHS
COMPLIANT

MECHANICAL SPECIFICATIONS

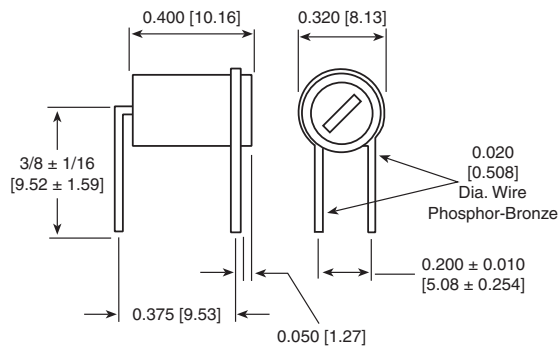
Tuning Tool: Use number WVL-T or equal

Torque: 0.40 inch-ounces to 6 inch-ounces

Terminal Pull: 3 pounds

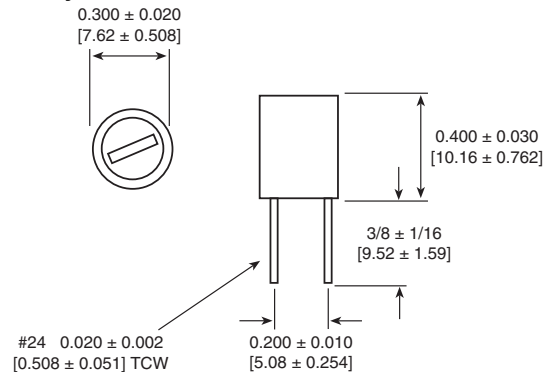
DIMENSIONS in inches [millimeters]

Horizontal Style



Horizontal Mounting Clip Part Number ACS-57
(One required per unit.)

Vertical Style



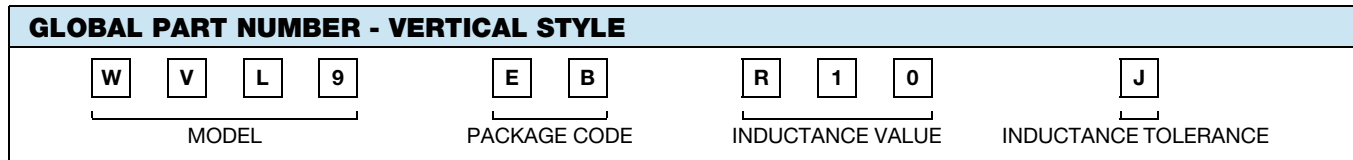
STANDARD ELECTRICAL SPECIFICATIONS

MODEL	IND. (μH)	TOL. (%)	Q TYP.	TEST FREQUENCY (MHz)	SRF NOM. (MHz)	DCR MAX. (Ω)	RATED DC CURRENT (mA)	INCREMENTAL CURRENT (mA)
WVL	0.10	± 5	56	25	200	0.030	1510	-
WVL	0.12	± 5	56	25	200	0.030	1450	-
WVL	0.15	± 5	56	25	200	0.030	1400	-
WVL	0.18	± 5	56	25	200	0.035	1370	-
WVL	0.22	± 5	56	25	200	0.038	1340	-
WVL	0.27	± 5	64	25	200	0.040	1300	-
WVL	0.33	± 5	64	25	200	0.040	1260	-
WVL	0.39	± 5	64	25	200	0.045	1240	-
WVL	0.47	± 5	64	25	184	0.045	1200	-
WVL	0.56	± 5	64	25	176	0.050	1160	-
WVL	0.68	± 5	64	25	150	0.055	1100	-
WVL	0.82	± 5	68	25	144	0.060	1040	-

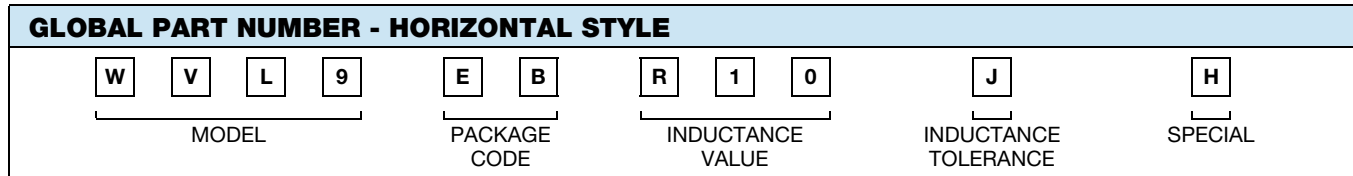
STANDARD ELECTRICAL SPECIFICATIONS								
MODEL	IND. (μH)	TOL. (%)	Q TYP.	TEST FREQUENCY (MHz)	SRF NOM. (MHz)	DCR MAX. (Ω)	RATED DC CURRENT (mA)	INCREMENTAL CURRENT (mA)
WVL	1.0	± 5	68	25	128	0.070	986	-
WVL	1.2	± 10	72	7.9	136	0.085	968	-
WVL	1.5	± 10	80	7.9	124	0.100	893	-
WVL	1.8	± 10	92	7.9	108	0.110	853	-
WVL	2.2	± 10	88	7.9	96	0.120	817	-
WVL	2.7	± 10	88	7.9	83	0.125	800	-
WVL	3.3	± 10	77	7.9	74	0.165	696	-
WVL	3.9	± 10	72	7.9	70	0.180	659	-
WVL	4.7	± 10	76	7.9	63	0.245	571	-
WVL	5.6	± 10	76	7.9	58	0.265	550	-
WVL	6.8	± 10	68	7.9	50	0.330	493	-
WVL	8.2	± 10	76	7.9	48	0.460	417	-
WVL	10	± 10	72	7.9	43	0.640	359	-
WVL	12	± 10	96	2.5	30	0.800	316	-
WVL	15	± 10	96	2.5	23	0.865	301	-
WVL	18	± 10	92	2.5	19	0.940	292	-
WVL	22	± 10	100	2.5	17	1.03	267	-
WVL	27	± 10	92	2.5	16	1.18	243	-
WVL	33	± 10	96	2.5	15	1.30	231	-
WVL	39	± 10	96	2.5	14	1.41	223	-
WVL	47	± 10	88	2.5	12	1.61	203	-
WVL	56	± 10	92	2.5	11	2.08	191	-
WVL	68	± 10	84	2.5	10	2.20	185	-
WVL	82	± 10	84	2.5	9	2.42	174	-
WVL	100	± 10	76	2.5	8.4	2.15	333	333
WVL	120	± 10	76	0.79	4.5	2.38	316	190
WVL	150	± 10	72	0.79	4.0	2.52	306	175
WVL	180	± 10	76	0.79	3.9	2.88	288	150
WVL	220	± 10	76	0.79	3.7	3.18	273	125
WVL	270	± 10	80	0.79	3.4	3.50	260	120
WVL	330	± 10	80	0.79	2.8	4.80	222	110
WVL	390	± 10	80	0.79	2.7	5.44	209	105
WVL	470	± 10	80	0.79	2.6	5.90	201	100
WVL	560	± 10	76	0.79	2.3	6.30	194	90
WVL	680	± 10	80	0.79	2.2	7.20	181	80
WVL	820	± 10	72	0.79	2.0	8	172	70
WVL	1000	± 10	80	0.79	1.9	12	141	65

MARKING
- Manufacturer data printed

WVL	0.10 μH	5 %	EB	e2
MODEL	INDUCTANCE VALUE	INDUCTANCE TOLERANCE	PACKAGE CODE	JEDEC LEAD (Pb)-FREE STANDARD



WVL-H	0.10 μH	5 %	EB	e2
MODEL	INDUCTANCE VALUE	INDUCTANCE TOLERANCE	PACKAGE CODE	JEDEC LEAD (Pb)-FREE STANDARD





Disclaimer

ALL PRODUCT, PRODUCT SPECIFICATIONS AND DATA ARE SUBJECT TO CHANGE WITHOUT NOTICE TO IMPROVE RELIABILITY, FUNCTION OR DESIGN OR OTHERWISE.

Vishay Intertechnology, Inc., its affiliates, agents, and employees, and all persons acting on its or their behalf (collectively, "Vishay"), disclaim any and all liability for any errors, inaccuracies or incompleteness contained in any datasheet or in any other disclosure relating to any product.

Vishay makes no warranty, representation or guarantee regarding the suitability of the products for any particular purpose or the continuing production of any product. To the maximum extent permitted by applicable law, Vishay disclaims (i) any and all liability arising out of the application or use of any product, (ii) any and all liability, including without limitation special, consequential or incidental damages, and (iii) any and all implied warranties, including warranties of fitness for particular purpose, non-infringement and merchantability.

Statements regarding the suitability of products for certain types of applications are based on Vishay's knowledge of typical requirements that are often placed on Vishay products in generic applications. Such statements are not binding statements about the suitability of products for a particular application. It is the customer's responsibility to validate that a particular product with the properties described in the product specification is suitable for use in a particular application. Parameters provided in datasheets and/or specifications may vary in different applications and performance may vary over time. All operating parameters, including typical parameters, must be validated for each customer application by the customer's technical experts. Product specifications do not expand or otherwise modify Vishay's terms and conditions of purchase, including but not limited to the warranty expressed therein.

Except as expressly indicated in writing, Vishay products are not designed for use in medical, life-saving, or life-sustaining applications or for any other application in which the failure of the Vishay product could result in personal injury or death. Customers using or selling Vishay products not expressly indicated for use in such applications do so at their own risk. Please contact authorized Vishay personnel to obtain written terms and conditions regarding products designed for such applications.

No license, express or implied, by estoppel or otherwise, to any intellectual property rights is granted by this document or by any conduct of Vishay. Product names and markings noted herein may be trademarks of their respective owners.

Material Category Policy

Vishay Intertechnology, Inc. hereby certifies that all its products that are identified as RoHS-Compliant fulfill the definitions and restrictions defined under Directive 2011/65/EU of The European Parliament and of the Council of June 8, 2011 on the restriction of the use of certain hazardous substances in electrical and electronic equipment (EEE) - recast, unless otherwise specified as non-compliant.

Please note that some Vishay documentation may still make reference to RoHS Directive 2002/95/EC. We confirm that all the products identified as being compliant to Directive 2002/95/EC conform to Directive 2011/65/EU.

Vishay Intertechnology, Inc. hereby certifies that all its products that are identified as Halogen-Free follow Halogen-Free requirements as per JEDEC JS709A standards. Please note that some Vishay documentation may still make reference to the IEC 61249-2-21 definition. We confirm that all the products identified as being compliant to IEC 61249-2-21 conform to JEDEC JS709A standards.