

LED Traffic Signal

Series 438 24VAC
200 mm / 300 mm



View of blackened lens
type signal when off

- **High efficiencies as a result of the new High Flux Reflector Technology and Central Light Source**
- **No Colour Phantom when fitted with the blackened (smoked effect) lens**
- **Unrivalled reading contrast**

Dialight Garufo GmbH
Gewerbepark Spörerau 25, 85368 Wang, Deutschland
Tel.: +49(0)8709/9249-0 Fax: +49(0)8709/9249-10
Email: sales@dialightgarufo.com
Internet: www.dialightgarufo.com

Optical advantages and characteristics

	Typical Data		Standard		Definition	
	200 mm	300 mm	200 mm	300 mm	200 mm	300 mm
Luminous Intensity Red Yellow Green	350 cd 350 cd 350 cd	400 cd 400 cd 400 cd	EN 12368, 6.3, Tab. 1		B 2/1 Type W	B3/1 Type N
Light distribution	Wide angle	Narrow angle	EN 12368, 6.4, Tab. 3	EN 12368, 6.4, Tab. 5	Type W, category B	Type N, category B
Uniformity	minimum 1: 2,2	minimum 1: 2,4	EN 12368, 6.5		>1:10	>1:15
Phantom light	No colour phantom (black lens)		EN 12368, 6.6		No 'false' signal in direct sunlight	
Ratio signal light / reflection	Red > 16 Yellow > 16 Green > 16	Red > 16 Yellow > 8 Green > 16	EN 12368, 6.6		class 5 class 5 class 5	class 5 class 4 class 5
Light colours	Red, Yellow, Green, White		EN 12368, 6.7 DIN 6163, Part 5			

Black outer lens type

measured at room temperature

Electrical characteristics: Preliminary

	Typical power consumption	Current
	24 VAC	24 VAC
Red	6 Watt	400mA
Yellow	6 Watt	400mA
Green	6 Watt	400mA
White	6 Watt	400mA

measured at room temperature. Input Voltage range 19VAC to 29VAC

Ambient Conditions

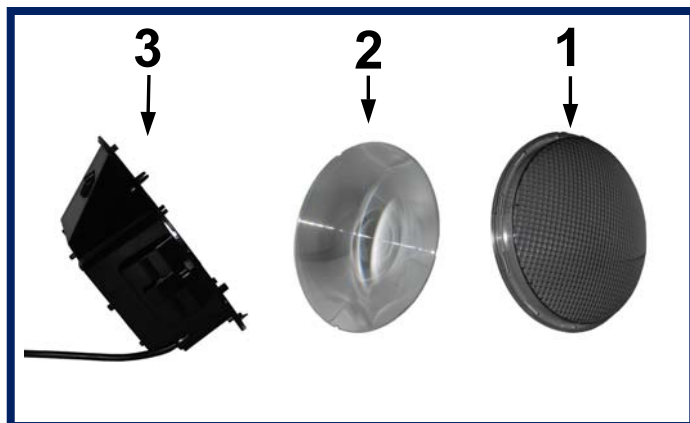
Storage temperature	-20°C to +60°C
Storage relative humidity	Max. 70%
Operating temperature	-40°C to +60°C

Part Numbers

	Blackened outer lens	Coloured outer lens
200mm	Red 144102	Red 144108
	Amber 144103	Amber 144109
	Green 144104	Green 144110
	White 144140	N/A
300mm	Red 144105	Red 144111
	Amber 144106	Amber 144112
	Green 144107	Green 144113
	White 144141	N/A

Dialight Garufo GmbH
 Gewerbepark Spörrau 25, 85368 Wang, Deutschland
 Tel.: +49(0)8709/9249-0 Fax: +49(0)8709/9249-10
 Email: sales@dialightgarufo.com
 Internet: www.dialightgarufo.com

Composition

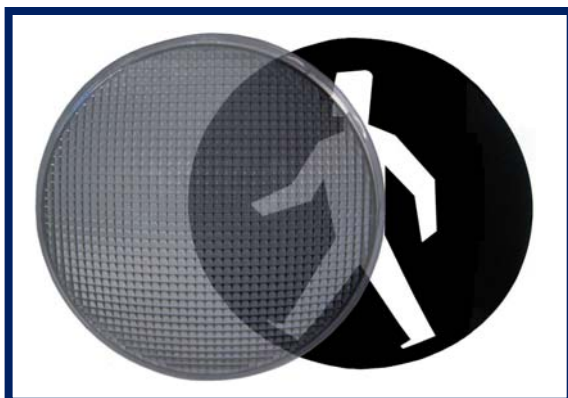


- 1. Front lens material:**
Polycarbonate.
(Black and colour dye lens available)
- 2. Fresnel lens material:**
Clear Acrylic
- 3. Base housing material:**
Polycarbonate

Symbols

Flexible symbol design

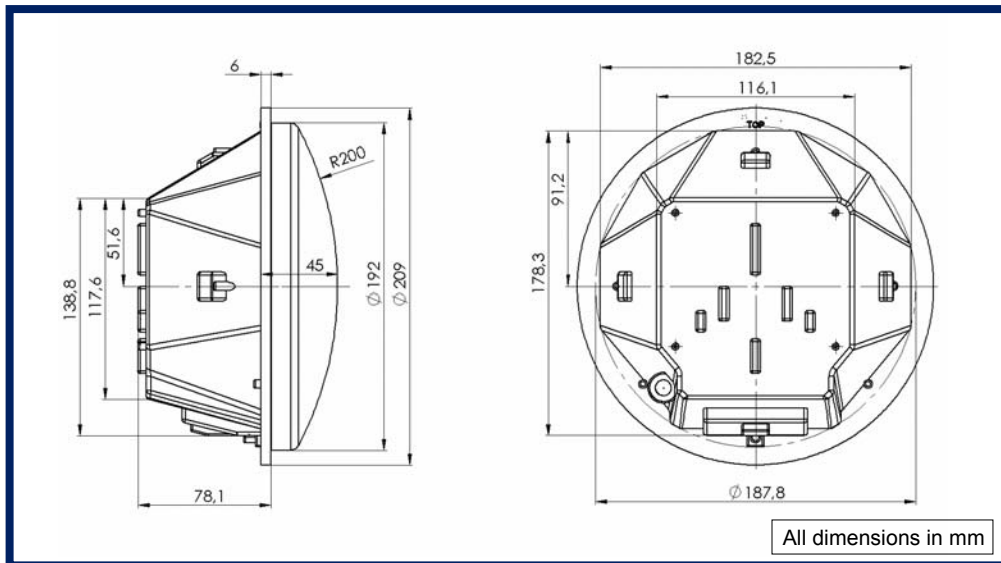
Standard or customised symbol designs can be supplied on laser-cut, polycarbonate masks. The mask is mounted inside the outer lens or supplied separately. The outer lens can be supplied in a 'semi-locked' condition to allow the mask to be swapped or removed before the lens is finally locked in position and installed.



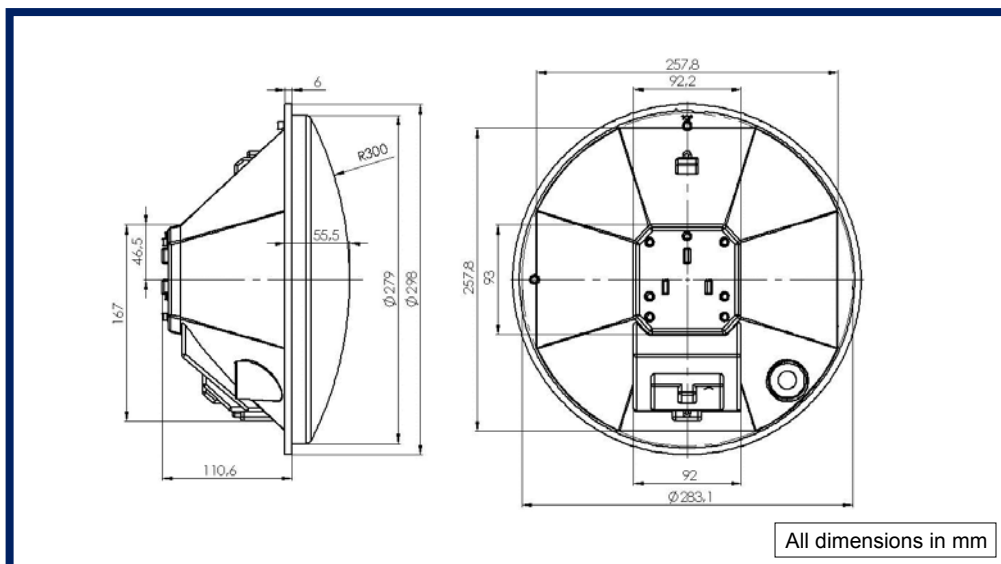
Dialight Garufo GmbH
Gewerbepark Spörerau 25, 85368 Wang, Deutschland
Tel.: +49(0)8709/9249-0 Fax: +49(0)8709/9249-10
Email: sales@dialightgarufo.com
Internet: www.dialightgarufo.com

Dimensions

200mm



300mm



Dialight Garufo GmbH
Gewerbepark Spörrau 25, 85368 Wang, Deutschland
Tel.: +49(0)8709/9249-0 Fax: +49(0)8709/9249-10
Email: sales@dialightgarufo.com
Internet: www.dialightgarufo.com