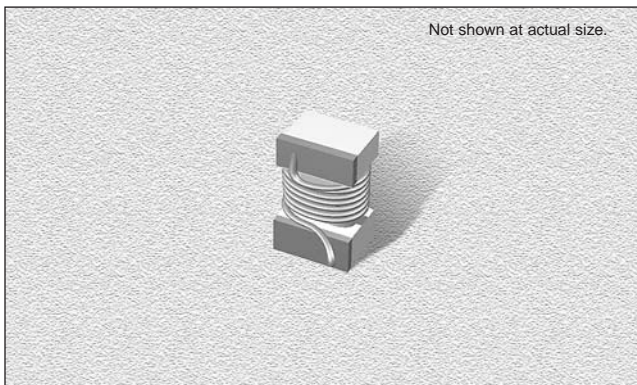


## CT0402CS Series

From 1.0 nH to 68 nH

### ENGINEERING KIT #15



### CHARACTERISTICS

**Description:** SMD ceramic core wire-wound chip inductor

**Applications:** Telecommunication equipment, mobile phones, small size pagers, computers, printers and relevant equipment.

Also, audio & video applications, the automotive electronics industry and high frequency applications

**Operating Temperature:** -40°C to +125°C

**Inductance Tolerance:** ±2%, ±5%, ±10%

**Testing:** Inductance and Q are tested on an HP4287A at 250 MHz

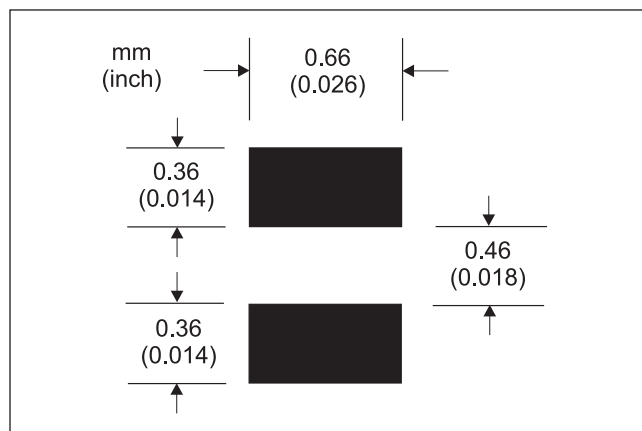
**Packaging:** Tape & Reel

**Marking:** Reels are marked with inductance code and tolerance

**Additional Information:** Additional electrical & physical information available upon request

**Samples available. See website for ordering information.**

### PAD LAYOUT



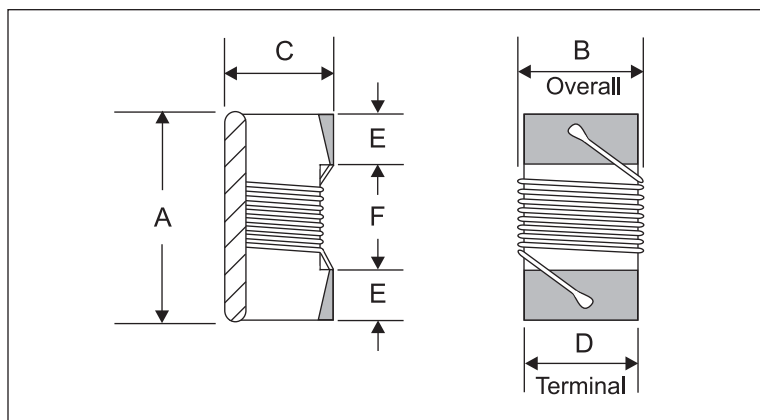
### SPECIFICATIONS

Please specify tolerance code when ordering.  
 CT0402CS-2N0\_ ← G = ±2%, J = ±5%, K = ±10%  
 \* J or K only

Part Number	Inductance (nH)	L Test Freq. (MHz)	Q Fact. Min.	Q Test Freq. (MHz)	SRF Min. (MHz)	DCR Max. (Ω)	Rated DC (mA)
CT0402CS-1N0K	1.0	250	13	250	>6000	.04	1000
CT0402CS-1N9K	1.9	250	16	250	>6000	.07	1040
CT0402CS-2N0_*	2.0	250	16	250	>6000	.07	1040
CT0402CS-2N2_*	2.2	250	16	250	>6000	.07	840
CT0402CS-2N4_*	2.4	250	16	250	>6000	.07	840
CT0402CS-2N7_*	2.7	250	16	250	>6000	.07	840
CT0402CS-3N3_*	3.3	250	19	250	>6000	.06	840
CT0402CS-3N6_	3.6	250	19	250	>6000	.06	840
CT0402CS-3N9_	3.9	250	17	250	5800	.11	800
CT0402CS-4N3_	4.3	250	18	250	5800	.11	800
CT0402CS-4N7_	4.7	250	20	250	5800	.11	800
CT0402CS-5N1_	5.1	250	21	250	5800	.11	800
CT0402CS-5N6_	5.6	250	20	250	4800	.08	760
CT0402CS-6N2_	6.2	250	20	250	4800	.08	760
CT0402CS-6N8_	6.8	250	23	250	4400	.14	680
CT0402CS-7N5_	7.5	250	23	250	4400	.14	680
CT0402CS-8N2_	8.2	250	24	250	4400	.14	680
CT0402CS-8N7_	8.7	250	18	250	4100	.20	480
CT0402CS-9N0_	9.0	250	22	250	4160	.10	680
CT0402CS-9N5_	9.5	250	18	250	4000	.20	480
CT0402CS-10N_	10	250	25	250	3700	.18	600
CT0402CS-11N_	11	250	25	250	3700	.18	600
CT0402CS-12N_	12	250	25	250	3600	.18	600
CT0402CS-13N_	13	250	26	250	3600	.18	600
CT0402CS-15N_	15	250	26	250	3200	.21	560
CT0402CS-16N_	16	250	26	250	3200	.21	560
CT0402CS-18N_	18	250	26	250	3000	.25	480
CT0402CS-19N_	19	250	24	250	3040	.20	480
CT0402CS-20N_	20	250	26	250	3000	.25	480
CT0402CS-22N_	22	250	26	250	2700	.36	375
CT0402CS-23N_	23	250	22	250	2720	.30	400
CT0402CS-24N_	24	250	26	250	2700	.36	375
CT0402CS-27N_	27	250	26	250	2500	.36	375
CT0402CS-30N_	30	250	26	250	2200	.41	320
CT0402CS-33N_	33	250	26	250	2200	.41	320
CT0402CS-36N_	36	250	26	250	2200	.46	310
CT0402CS-39N_	39	250	26	250	2200	.46	310
CT0402CS-40N_	40	250	24	250	2240	.44	320
CT0402CS-43N_	43	250	26	250	2100	.50	300
CT0402CS-47N_	47	250	26	250	2000	.55	260
CT0402CS-51N_	51	250	26	250	2000	.55	260
CT0402CS-56N_	56	250	26	250	1900	.77	200
CT0402CS-68N_	68	250	22	250	1620	1.1	100

### PHYSICAL DIMENSIONS

Size	A	B	C	D	E	F
mm	1±0.1	0.68±0.1	0.55±0.05	0.55±0.05	0.2±0.05	0.6
inches	0.04±0.004	0.03±0.004	0.02±0.001	0.02±0.001	0.007±0.001	0.02



04.29.03

Manufacturer of Inductors, Chokes, Coils, Beads, Transformers & Toroids

800-684-5322 Inside US 949-453-1811 Outside US

Copyright © 2003 by CT Magnetics, DBA Central Technologies. All rights reserved.

CT Magnetics reserves the right to make improvements or change specifications without notice

