



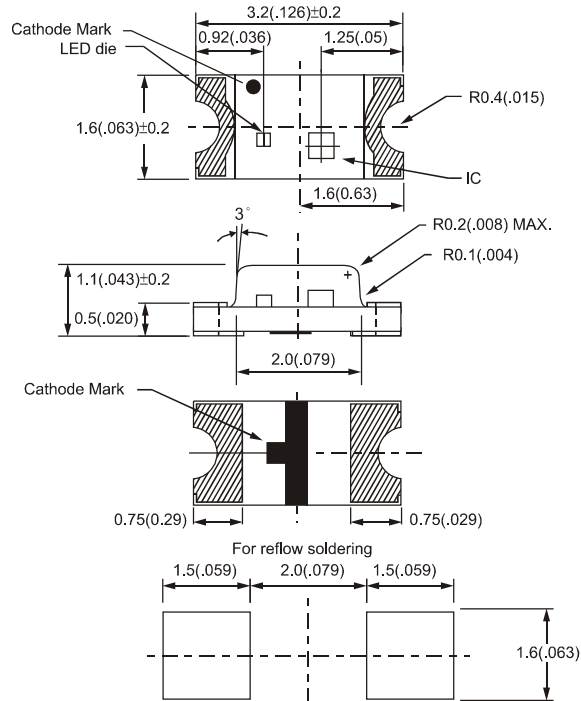
SURFACE MOUNT BLINKING CHIP LED LAMPS



■ Absolute Maximum Ratings
(Ta=25°C)

	UNIT	SPEC.
IF	mA	12
IFp	mA	100
VR	V	5
Topr	°C	-25 ~ +80
Tstg	°C	-20 ~ +85

BB-Hxxx3-C Series



NOTE:
 1. All dimensions are in millimeters (inches).
 2. Tolerance is ±0.10(.004") unless otherwise specified.
 3. Specifications are subject to change without notice.

Part No.	Chip			Lens Appearance	Forward Current		Pulse Rate (Hz) VDD = 5V			I _v (mcd)		Viewing Angle 2 θ 1/2 (deg)
	Material	Emitted Color	λ _p (nm)		Typ.	Max.	Min.	Typ.	Max.	Min.	Typ.	
BB-HH033-C	GaP/GaP	Bright Red	700	Water Clear	20	—	2.0	2.4	3.0	2.4	6.0	140°
BB-HG033-C	GaP/GaP	Yellow Green	568		20	—	2.0	2.4	3.0	8.2	25.0	
BB-HX133-C	GaP/GaP	Hi-Eff Green	568		20	—	2.0	2.4	3.0	5.5	12.0	
BB-HW133-C	GaP/GaP	Pure Green	557		20	—	2.0	2.4	3.0	1.6	3.0	
BB-HY033-C	GaAsP/GaP	Yellow	583		20	—	2.0	2.4	3.0	2.4	6.0	
BB-HE133-C	GaAsP/GaP	Hi-Eff Red	640		20	—	1.8	2.4	3.0	2.4	8.0	
BB-HD133-C	GaAlAs	Super Red	660		20	—	2.0	2.4	3.0	8.2	25.0	
BB-HJ033-C	AlGalnP	Super Orange	620		20	—	2.0	2.4	3.0	28.0	50.0	
BB-HK033-C	AlGalnP	Super Yellow	590		20	—	2.0	2.4	3.0	28.0	40.0	
BB-HJ333-C	AlGalnP	Soft Orange	630		20	—	2.0	2.4	3.0	42.0	70.0	
BB-HJF33-C	AlGalnP	Soft Orange	610		20	—	2.0	2.4	3.0	28.0	50.0	
BB-HUB33-C	AlGalnP	Super Red	645		20	—	2.0	2.4	3.0	28.0	50.0	