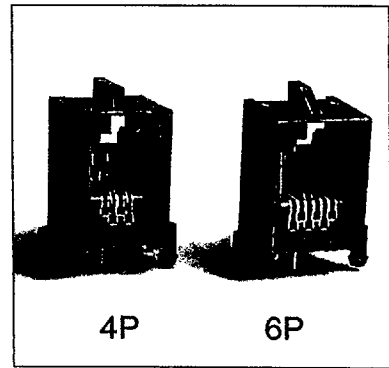


# 9811 SERIES RIGHT ANGLE P.C.B MODULAR JACKS

## SPECIFICATION

- \* Current Rating:  
1.5 A
- \* Withstanding Voltage:  
500 VAC ( 1 min.)
- \* Insulation Resistance:  
10 MΩ min.
- \* Contact Resistance:  
20 mΩ max.
- \* Operating Temperature:  
-40°C to +85°C

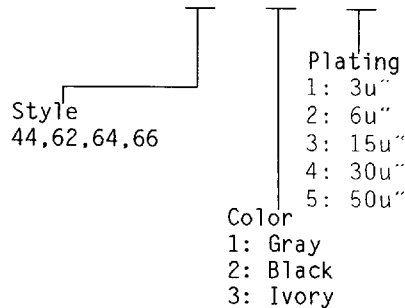


## MATERIAL

- \* Contact: Phosphor Bronze  
DIA 0.46mm
- \* Insulator: ABS Resin UL 94V-0
- \* Plating: Gold

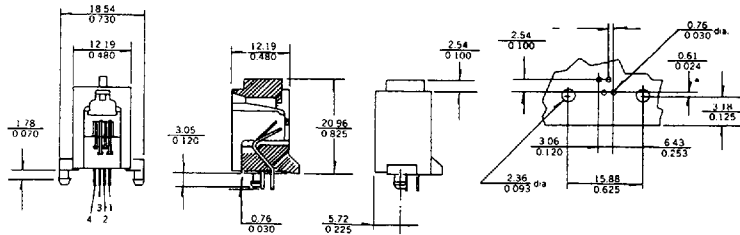
## ORDER INFORMATION

JACK — 9811 — XX — X — X



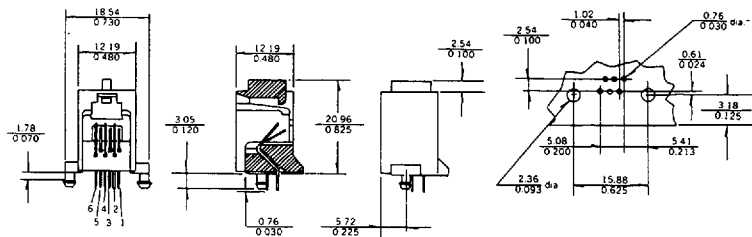
Specifications are subject to change without notice

### 4P



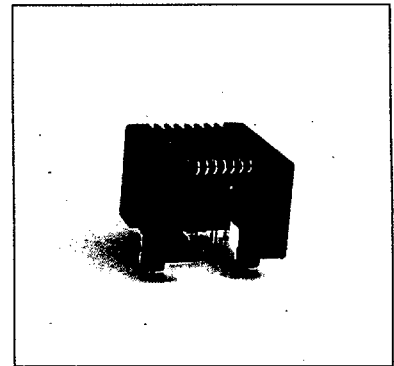
Recommended Hole Pattern

### 6P



Recommended Hole Pattern

# 9812 SERIES LOW PROFILE RIGHT ANGLE P.C.B MODULAR JACKS



## SPECIFICATION

- \* Current Rating:  
1.5 A
- \* Withstanding Voltage:  
500 VAC ( 1 min.)
- \* Insulation Resistance:  
10 MΩ min.
- \* Contact Resistance:  
20 mΩ max.
- \* Operating Temperature:  
-40°C to +85°C

## MATERIAL

- \* Contact: Phosphor Bronze  
DIA 0.46mm
- \* Insulator: PBT & G.F. UL94V-0
- \* Plating: Gold

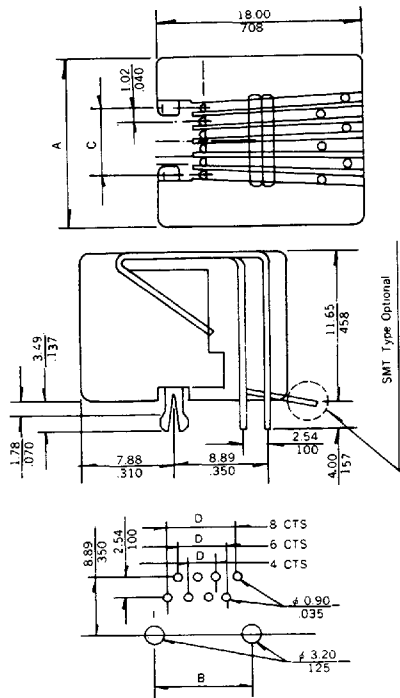
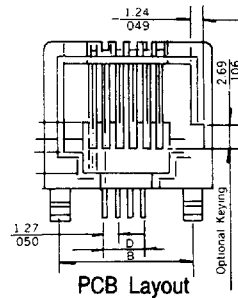
## ORDER INFORMATION

JACK — 9812 — XX — X — X

Style  
44,62,64,66,88

Plating  
1: 3u"  
2: 6u"  
3: 15u"  
4: 30u"  
5: 50u"

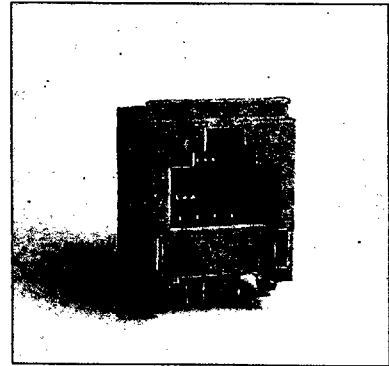
Color  
1: Gray  
2: Black  
3: Ivory



POS	A	B	C	D
4	11.18	7.62	3.05	3.81
6	13.20	10.16	5.08	6.35
8	15.15	11.43	7.11	8.89

Specifications are subject to change without notice

# 9813,9814 SERIES RIGHT ANGLE 8 WIRE P.C.B MODULAR JACKS



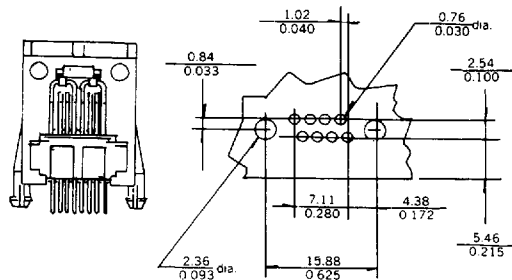
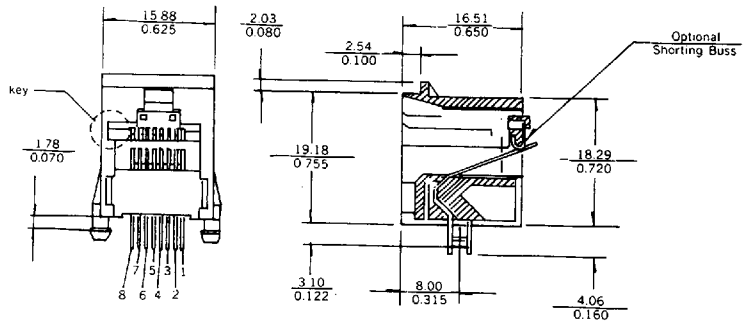
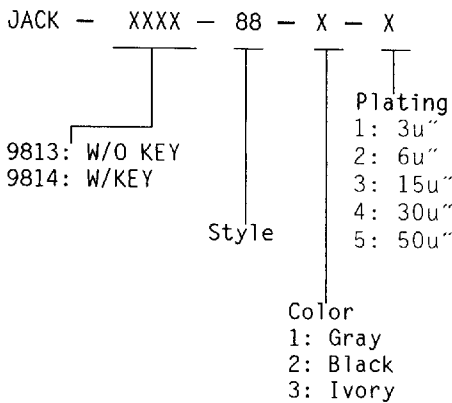
## SPECIFICATION

- \* Current Rating:  
1.5 A
- \* Withstanding Voltage:  
500 VAC ( 1 min.)
- \* Insulation Resistance:  
10 MΩ min.
- \* Contact Resistance:  
20 mΩ max.
- \* Operating Temperature:  
-40°C to +85°C

## MATERIAL

- \* Contact: Phosphor Bronze  
DIA 0.46mm
- \* Insulator: PBT & G.F. UL94V-0
- \* Plating: Gold

## ORDER INFORMATION

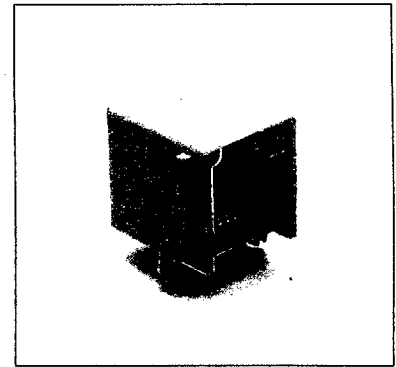


Recommended Hole Pattern

Specifications are subject to change without notice

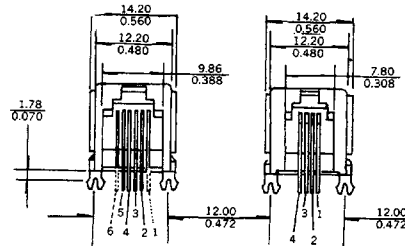
5799655 0001209 85T

# 9815,9816 SERIES RIGHT ANGLE P.C.B MODULAR JACKS



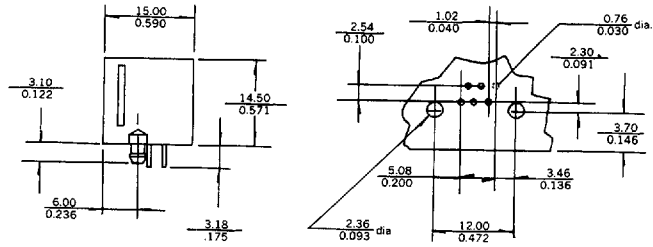
## SPECIFICATION

- \* Current Rating:  
1.5 A
- \* Withstanding Voltage:  
500 VAC ( 1 min.)
- \* Insulation Resistance:  
10 MΩ min.
- \* Contact Resistance:  
20 mΩ max.
- \* Operating Temperature:  
-40°C to +85°C



## MATERIAL

- \* Contact: Phosphor Bronze  
DIA 0.46mm
- \* Insulator: PBT & G.F. UL94V-0
- \* Plating: Gold



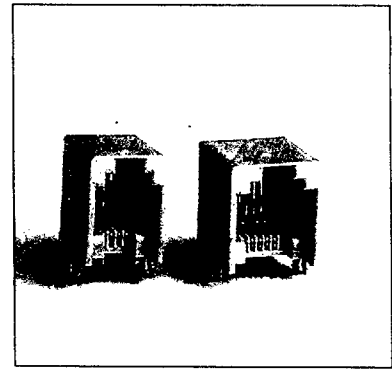
Recommended Hole Pattern

## ORDER INFORMATION

JACK	—	XXXX	—	XX	—	X	—	X
								Plating
9815:								1: 3u"
W/FLANGED								2: 6u"
9816:								3: 15u"
W/O FLANGED								4: 30u"
								5: 50u"
								Color
								1: Gray
								2: Black
								3: Ivory

Specifications are subject to change without notice

# 9817 SERIES RIGHT ANGLE P.C.B MODULAR JACKS

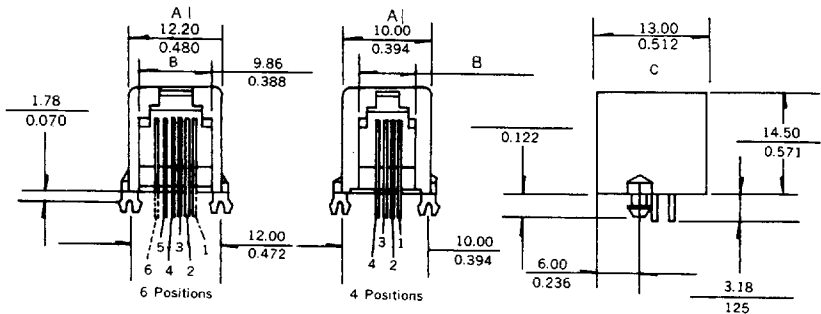


## SPECIFICATION

- \* Current Rating:  
1.5 A
- \* Withstanding Voltage:  
500 VAC ( 1 min.)
- \* Insulation Resistance:  
10 MΩ min.
- \* Contact Resistance:  
20 mΩ max.
- \* Operating Temperature:  
-40°C to +85°C

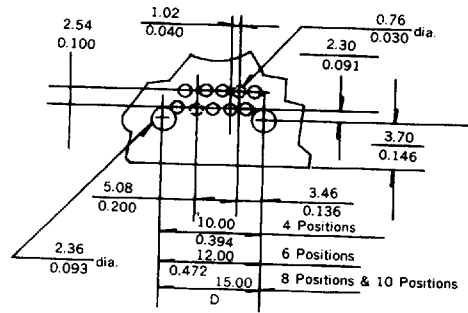
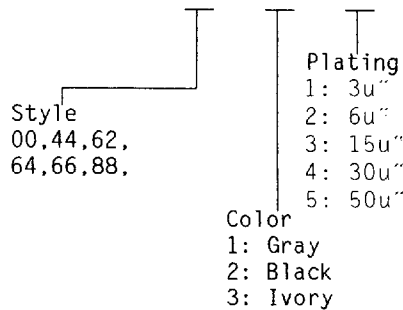
## MATERIAL

- \* Contact: Phosphor Bronze  
DIA 0.46mm
- \* Insulator: PBT & G.F. UL94V-0
- \* Plating: Gold



## ORDER INFORMATION

JACK - 9817 - XX - X - X

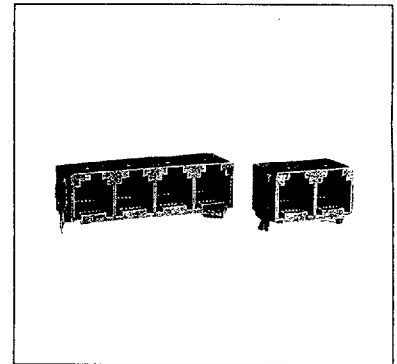


Recommended Hole Pattern

POS	A	B	C	D
4	10.00	8.00	13.00	10.00
6	12.20	10.00	13.00	12.00
8	15.60	13.00	13.00	15.00
10	15.60	13.00	13.00	15.00

Specifications are subject to change without notice

# 9818 SERIES RIGHT ANGLE P.C.B GANG JACKS

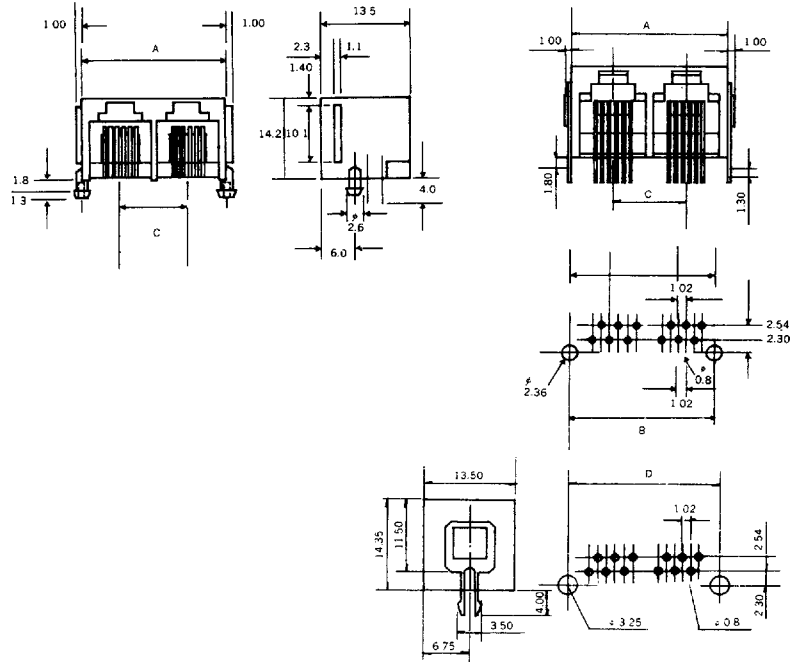


## SPECIFICATION

- \* Current Rating:  
1.5 A
- \* Withstanding Voltage:  
500 VAC ( 1 min.)
- \* Insulation Resistance:  
10 M $\Omega$  min.
- \* Contact Resistance:  
20 m $\Omega$  max.
- \* Operating Temperature:  
-40°C to +85°C

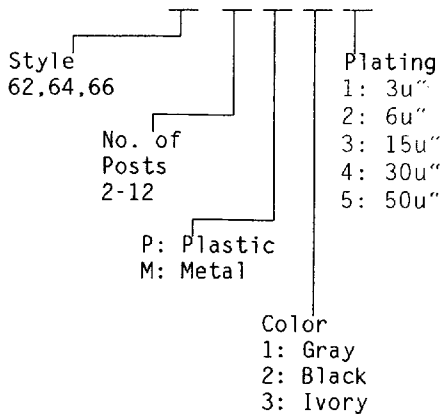
## MATERIAL

- \* Contact: Phosphor Bronze  
DIA 0.46mm
- \* Insulator: PBT & G.F. UL94V-0
- \* Plating: Gold



## ORDER INFORMATION

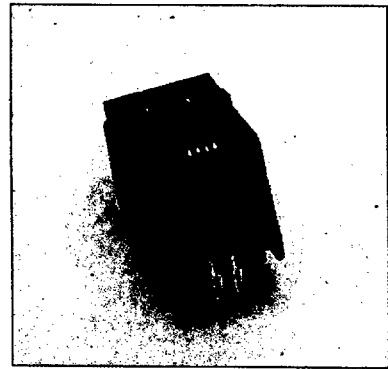
JACK-9818-XX-XX-X-X-X



POS	A	B	C	D
2	23.30	23.00	11.00	23.50
3	34.30	34.00	22.00	34.50
4	45.30	45.00	33.00	45.50
5	56.30	56.00	44.00	56.50
6	67.30	67.00	55.00	67.50
7	78.30	78.00	66.00	78.50
8	89.30	89.00	77.00	89.50
9	100.30	100.00	88.00	100.50
10	111.30	111.00	99.00	111.50
11	122.30	122.00	110.00	122.50
12	133.30	133.00	121.00	133.50

Specifications are subject to change without notice

# 9819 SERIES RIGHT ANGLE P.C.B MODULAR JACKS

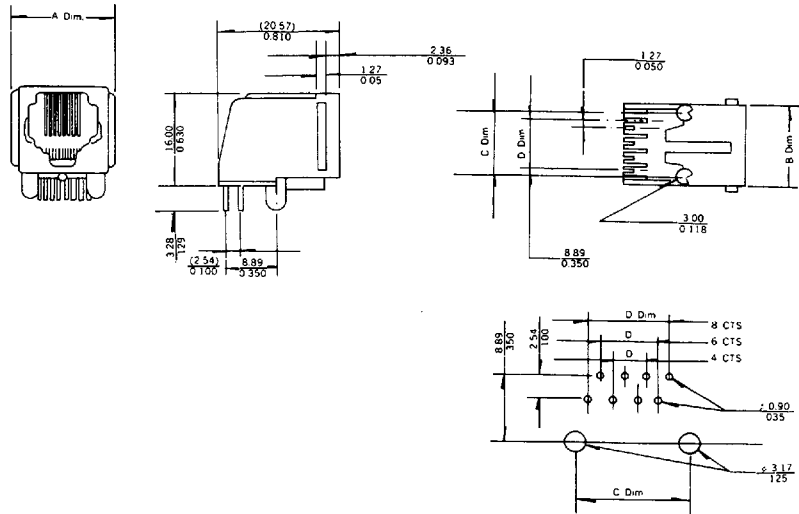


## SPECIFICATION

- \* Current Rating:  
1.5 A
- \* Withstanding Voltage:  
500 VAC ( 1 min.)
- \* Insulation Resistance:  
10 MΩ min.
- \* Contact Resistance:  
20 mΩ max.
- \* Operating Temperature:  
-40°C to +85°C

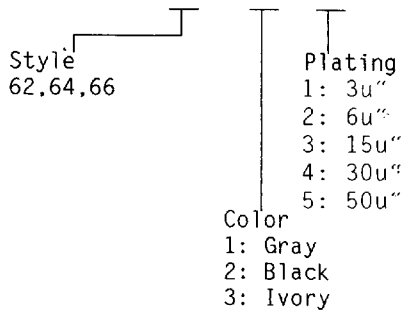
## MATERIAL

- \* Contact: Phosphor Bronze  
0.35mm thickness
- \* Insulator: PBT & G.F. UL94V-0
- \* Plating: Gold



## ORDER INFORMATION

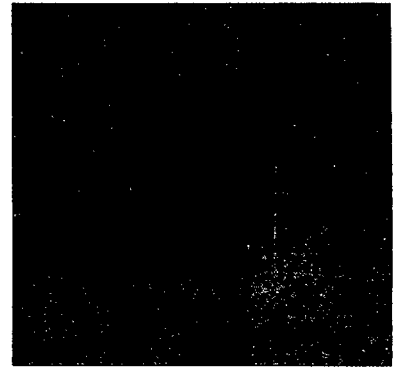
JACK— 9819 — XX — X — X



POS	A	B	C	D
4	13.72	11.18	7.62	3.81
6	15.75	13.21	10.16	6.35
8	17.78	15.24	11.43	8.89

Specifications are subject to change without notice

# 9820 SERIES RIGHT ANGLE P.C.B MODULAR JACKS



## SPECIFICATION

- \* Current Rating:  
1.5 A
- \* Withstanding Voltage:  
500 VAC ( 1 min.)
- \* Insulation Resistance:  
10 MΩ min.
- \* Contact Resistance:  
20 mΩ max.
- \* Operating Temperature:  
-40°C to +85°C

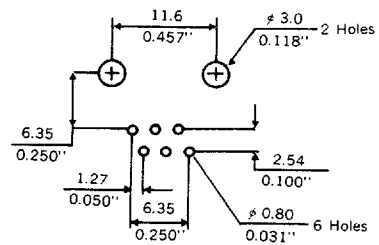
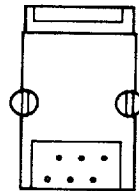
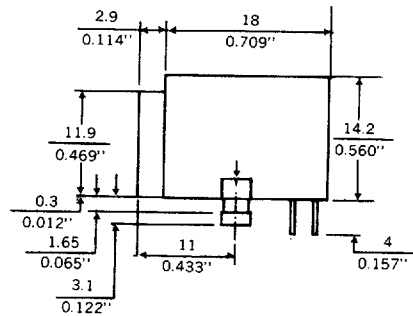
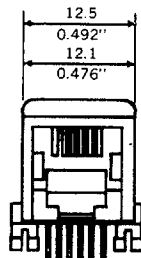
## MATERIAL

- \* Contact: Phosphor Bronze  
DIA 0.46mm
- \* Insulator: PBT & G.F. UL94V-0
- \* Plating: Gold

## ORDER INFORMATION

JACK - 9820 - XX - X - X

<p>Style 62,64,66</p>	<p>Plating 1: 3u" 2: 6u" 3: 15u" 4: 30u" 5: 50u"</p>	<p>Color 1: Gray 2: Black 3: Ivory</p>
---------------------------	--	--

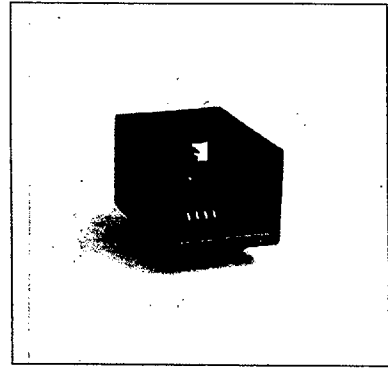


LAYOUT  
TOP VIEW

Specifications are subject to change without notice



# 9821 SERIES RIGHT ANGLE P.C.B. MODULAR JACKS



## SPECIFICATION

- \* Current Rating:  
1.5 A
- \* Withstanding Voltage:  
500 VAC ( 1 min.)
- \* Insulation Resistance:  
10 MΩ min.
- \* Contact Resistance:  
20 mΩ max.
- \* Operating Temperature:  
-40°C to +85°C

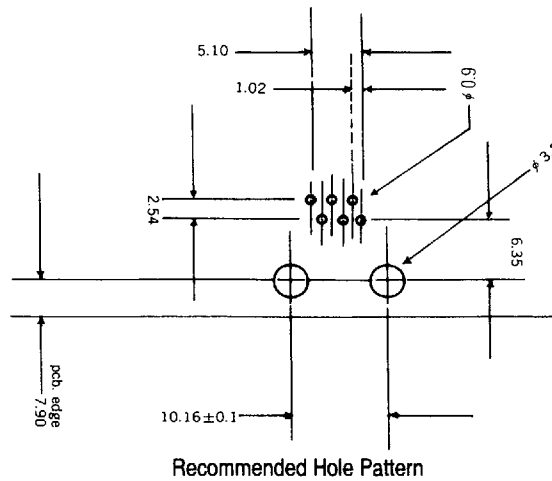
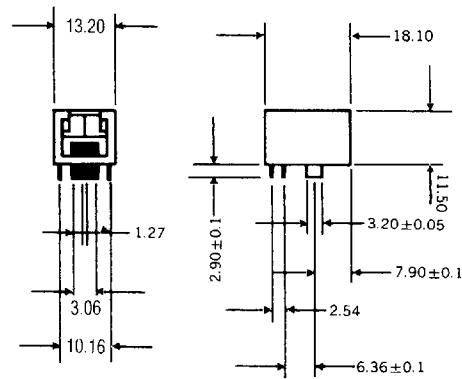
## MATERIAL

- \* Contact: Phosphor Bronze  
DIA 0.46mm
- \* Insulator: PBT & G.F. UL94V-0
- \* Plating: Gold

## ORDER INFORMATION

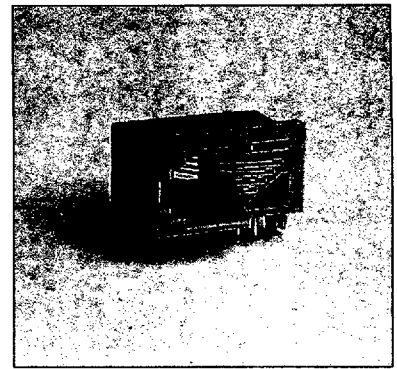
JACK — 9821 — XX — X — X

Style 62,64,66	Plating 1: 3u" 2: 6u" 3: 15u" 4: 30u" 5: 50u"	Color 1: Gray 2: Black 3: Ivory
-------------------	--	--



Specifications are subject to change without notice

# 9822 SERIES RIGHT ANGLE P.C.B MODULAR JACKS

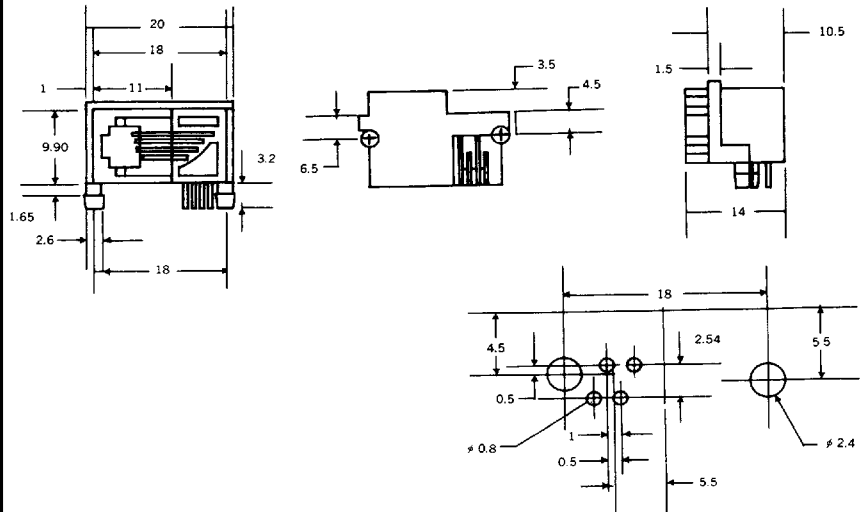


## SPECIFICATION

- \* Current Rating:  
1.5 A
- \* Withstanding Voltage:  
500 VAC ( 1 min.)
- \* Insulation Resistance:  
10 MΩ min.
- \* Contact Resistance:  
20 mΩ max.
- \* Operating Temperature:  
-40°C to +85°C

## MATERIAL

- \* Contact: Phosphor Bronze  
DIA. 0.46mm
- \* Insulator: PBT & G.F. UL94V-0
- \* Plating: Gold



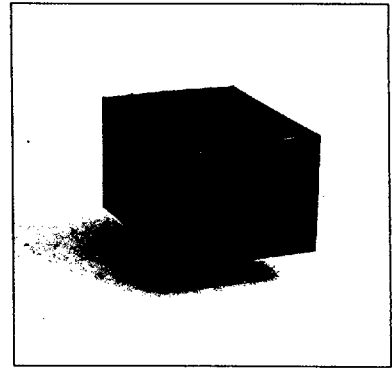
## ORDER INFORMATION

JACK— 9822 — XX — X — X

<p>Style 44</p>	<p>Plating 1: 3u" 2: 6u" 3: 15u" 4: 30u" 5: 50u"</p>	<p>Color 1: Gray 2: Black 3: Ivory</p>
---------------------	--	--

Specifications are subject to change without notice

# 9823 SERIES RIGHT ANGLE P.C.B MODULAR JACKS



## SPECIFICATION

- \* Current Rating:  
1.5 A
- \* Withstanding Voltage:  
500 VAC ( 1 min.)
- \* Insulation Resistance:  
10 MΩ min.
- \* Contact Resistance:  
20 mΩ max.
- \* Operating Temperature:  
-40°C to +85°C

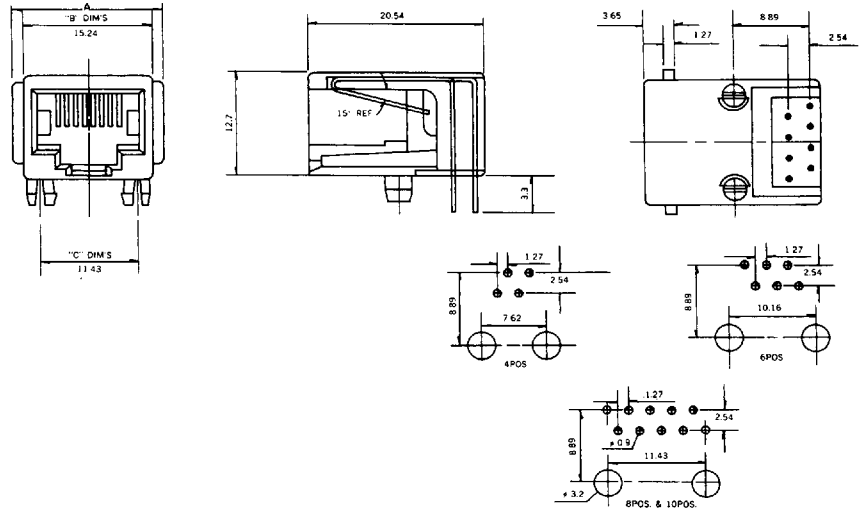
## MATERIAL

- \* Contact: Phosphor Bronze  
DIA. 0.46mm
- \* Insulator: PBT & G.F. UL94V-0
- \* Plating: Gold

## ORDER INFORMATION

JACK— 9823 — XX — X — X

Style 00,44,62, 64,66,88	Plating 1: 3u" 2: 6u" 3: 15u" 4: 30u" 5: 50u"	Color 1: Gray 2: Black 3: Ivory
--------------------------------	--	--



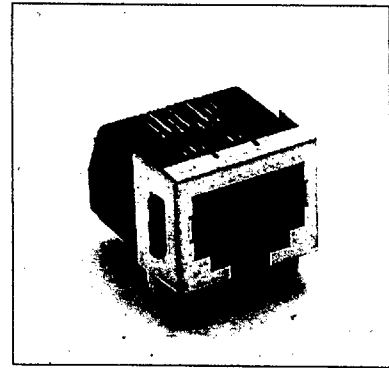
POS	A	B	C
4	13.70	11.20	7.62
6	15.75	13.21	10.16
8	17.78	15.24	11.43
10	17.78	15.24	11.43

Specifications are subject to change without notice

■ 5799655 0001217 926 ■



# 9825 SERIES RIGHT ANGLE P.C.B MODULAR JACKS



## SPECIFICATION

- \* Current Rating:  
1.5 A
- \* Withstanding Voltage:  
500 VAC ( 1 min.)
- \* Insulation Resistance:  
10 MΩ min.
- \* Contact Resistance:  
20 mΩ max.
- \* Operating Temperature:  
-40°C to +85°C

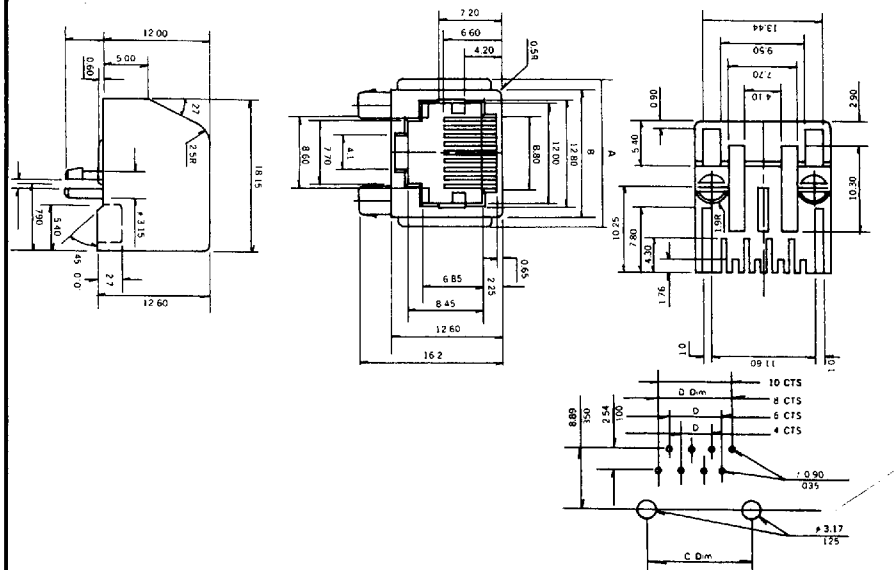
## MATERIAL

- \* Contact: Phosphor Bronze  
0.35mm thickness
- \* Insulator: PBT & G.F. UL94V-0
- \* Plating: Gold

## ORDER INFORMATION

JACK— 9825 — XX — X — X

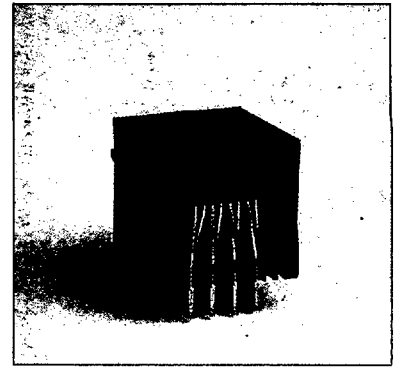
Style 64.66.88	Plating 1: 3u" 2: 6u" 3: 15u" 4: 30u" 5: 50u"	Color 1: Gray 2: Black 3: Ivory
-------------------	--	--



Specifications are subject to change without notice

POS	A	B	C	D
6	15.75	13.21	10.16	6.35
8	17.78	15.24	11.43	8.89

# 9967 SERIES RIGHT ANGLE P.C.B MODULAR JACKS



## SPECIFICATION

- \* Current Rating:  
1.5 A
- \* Withstanding Voltage:  
500 VAC ( 1 min.)
- \* Insulation Resistance:  
10 MΩ min.
- \* Contact Resistance:  
20 mΩ max.
- \* Operating Temperature:  
-40°C to +85°C

## MATERIAL

- \* Contact: Phosphor Bronze  
DIA. 0.46mm
- \* Insulator: PBT & G.F. UL94V-0
- \* Plating: Gold

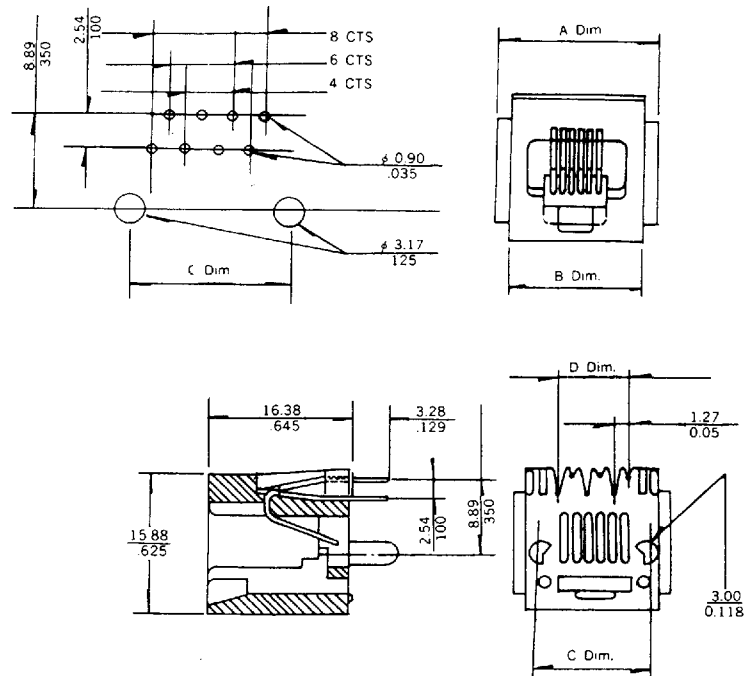
## ORDER INFORMATION

JACK— 9967 — XX — X — X

Style  
44,62,64,  
66,88

Plating  
1: 3u"  
2: 6u"  
3: 15u"  
4: 30u"  
5: 50u"

Color  
1: Gray  
2: Black  
3: Ivory



Specifications are subject to change without notice

POS	A	B	C	D
4	13.97	11.43	7.62	3.81
6	16.00	13.46	10.16	6.35
8	17.84	15.36	11.80	8.89