

# High Frequency Cylindrical Type Microprocessor Crystal



8.8 x Ø3.0mm, bent leads

**AB308R**

Moisture Sensitivity Level (MSL) – This product is Hermetically Sealed and not Moisture Sensitive - MSL = N/A: Not Applicable



**RoHS**  
Compliant

## FEATURES:

- Cylindrical MHz frequency crystals.
- IR Reflow capable.

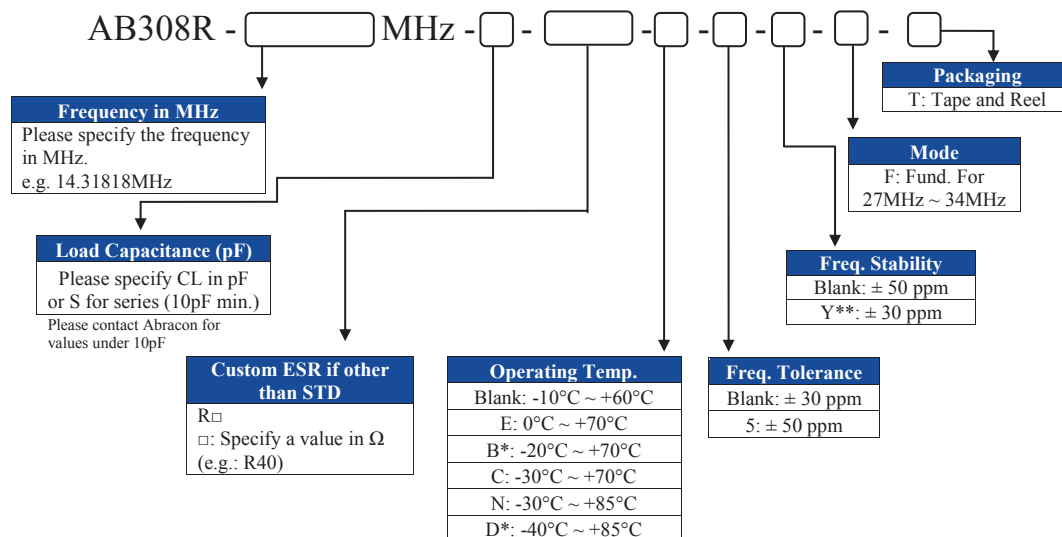
## APPLICATIONS:

- Consumer electronics.
- Microprocessor clocks.
- Ideal for low cost SMD applications.

## STANDARD SPECIFICATIONS:

Parameters	Minimum	Typical	Maximum	Units	Notes
Frequency Range	4.000		26.999	MHz	Fundamental (std.)
	27.000		70.000		3 <sup>rd</sup> Overtone (std.)
	27.000		34.000		Fundamental (see options)
Operation Mode	Fundamental or 3 <sup>rd</sup> Overtone				
Operating Temperature	-10		+60	°C	See options
Storage Temperature	-40		+85	°C	
Frequency Tolerance @+25°C	-30		+30	ppm	See options
Frequency Stability over the Operating Temperature (ref. to +25°C)	-50		+50	ppm	See options
Equivalent series resistance (R1)			150	Ω	4.000 – 5.999MHz Fundamental
			100		6.000 – 9.999MHz Fundamental
			50		10.000 – 32.000MHz Fundamental
			100		30.000 – 35.999 MHz 3 <sup>rd</sup> OT
			80		36.000 – 70.000 MHz 3 <sup>rd</sup> OT
Shunt capacitance (C0)			5	pF	
Load capacitance (CL)		16		pF	16 and 18pF nominal CL (See options)
Drive Level			100	μW	
Aging@25°C±3°C	-5		+5	ppm	First year
Insulation Resistance	500			M Ω	@ 100Vdc ± 15V

## OPTIONS AND PART IDENTIFICATION: (Left blank if standard)



\* Frequency stability: ± 50 ppm only  
\*\*Standard Temperature -10°C ~ +60°C, F ≥ 6MHz only



# High Frequency Cylindrical Type Microprocessor Crystal

AB308R

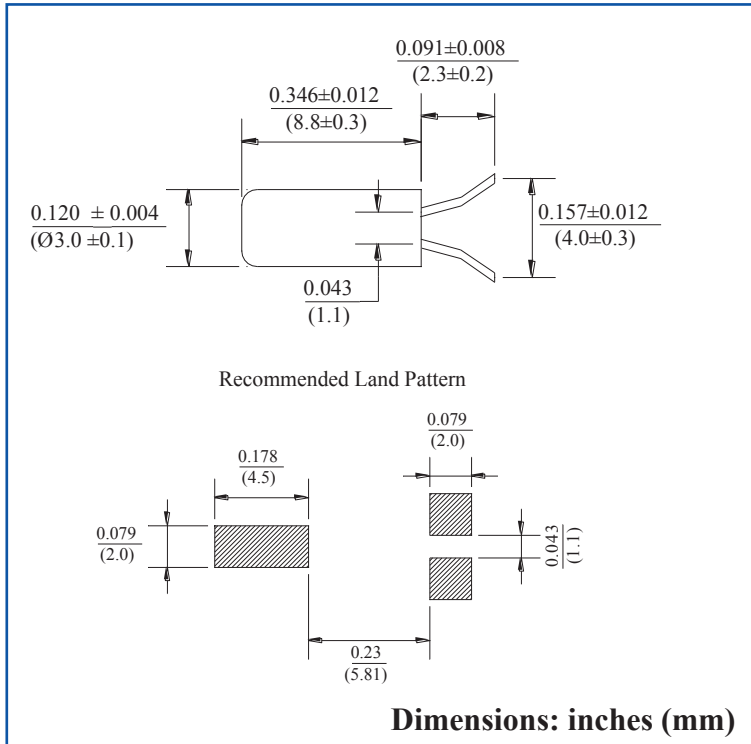


RoHS  
Compliant

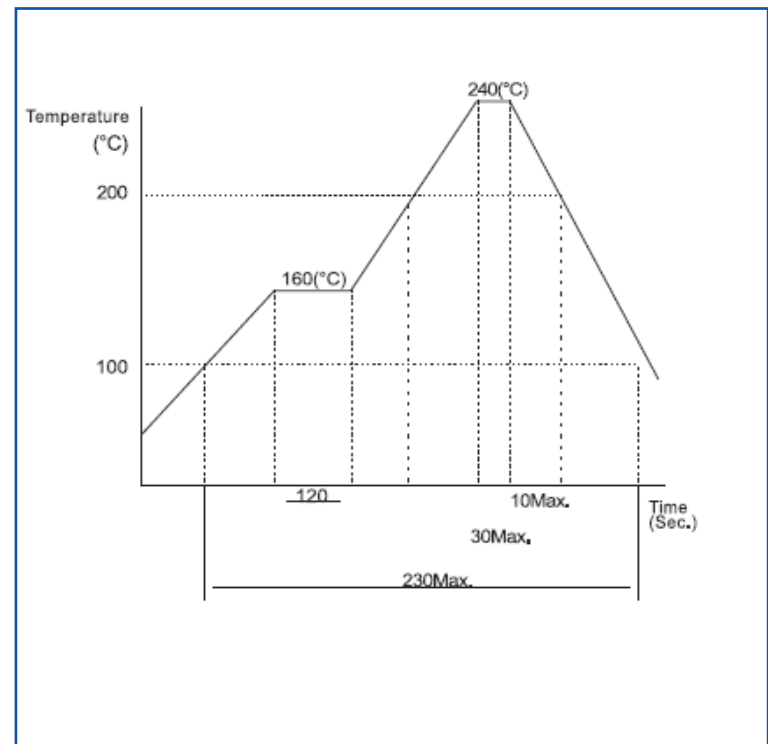


8.8 x Ø3.0mm, bent leads

## OUTLINE DRAWING:

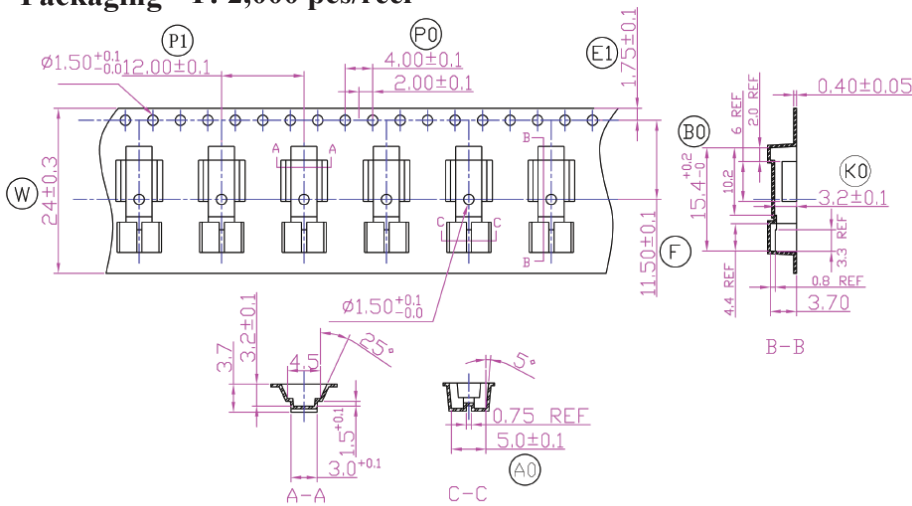


## REFLOW PROFILE:

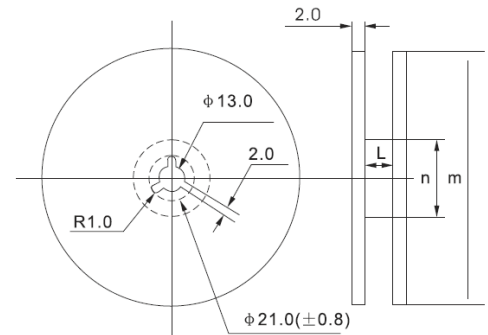


## TAPE & REEL:

Packaging T: 2,000 pcs/reel



## Reel Dimension



L	m (ø)	n (ø)
25.5	330	100

W	E1	F	P0	P1	A0	B0	K0
24.00 ± 0.3	1.75 ± 0.1	11.50 ± 0.1	4.00 ± 0.1	12.00 ± 0.1	5.00 ± 0.1	15.40 <sup>+0.2</sup> <sub>-0</sub>	3.20 ± 0.1

Dimensions: mm

**ATTENTION:** Abracon Corporation's products are COTS – Commercial-Off-The-Shelf products; suitable for Commercial, Industrial and, where designated, Automotive Applications. Abracon's products are not specifically designed for Military, Aviation, Aerospace, Life-dependant Medical applications or any application requiring high reliability where component failure could result in loss of life and/or property. For applications requiring high reliability and/or presenting an extreme operating environment, written consent and authorization from Abracon Corporation is required. Please contact Abracon Corporation for more information.

ABRACON IS  
ISO9001:2008  
CERTIFIED



Visit [www.abracon.com](http://www.abracon.com) for Terms & Conditions of Sale  
30332 Esperanza, Rancho Santa Margarita, California 92688  
tel 949-546-8000 | fax 949-546-8001 | [www.abracon.com](http://www.abracon.com)

Revised: 12.16.12