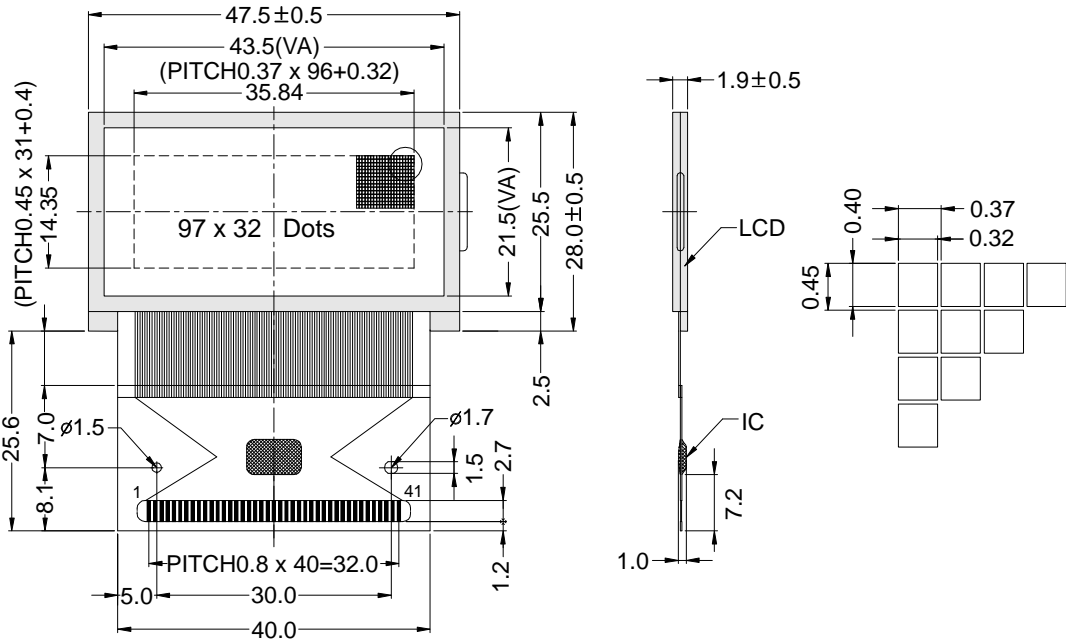


OUTLINE DIMENSION & BLOCK DIAGRAM



The tolerance unless classified $\pm 0.3\text{mm}$

MECHANICAL SPECIFICATION			
Overall Size	47.5 x 28.0	Module	H2 / H1
View Area	43.5 x 21.5	W / O B/L	1.9
Dot Size	0.32 x 0.40	EL B/L	- / -
Dot Pitch	0.37 x 0.45	LED B/L	- / -

PIN ASSIGNMENT		
Pin no.	Symbol	Function
2	FRS	Static driver output
3	FR	LCD AC signal
4	Dyo	Command driver signal output
5	CL	Display clock I/O
6	DOF	LCD blanking control I/O
7	VS1	Internal power supply
8	MS	Master / slave mode select
9	RST	Reset
10	P/S	Serial / Parallel data select
11-12	CS1,CS2	Chip select
13	C86	Microprocessor interface select
14	Ao	Cortorl / display data flag
15/16	WR/RD	Data write /read
17/26	Vdd,Vss	Power supply
18-25	D0-D7	Data bus line
27	Vout	DC voltage output
28-32	CAP1-CAP2	Capactor connction
34	VR	Voltage adjust
36-40	V1-V5	Bias for LCD driver supply voltage

ABSOLUTE MAXIMUM RATING									
Item	Symbol	Condition	Min.	Max.	Units				
Supply for logic voltage	Vdd-Vss	25°C	-0.3	7.0	V				
LCD driving supply voltage	Vdd-Vee	25°C	-0.3	18.0	V				
Input voltage	Vin	25°C	-0.3	Vdd+0.3	V				
ELECTRICAL CHARACTERISTICS									
Item	Symbol	Condition	Min.	Typical	Max.	Units			
Power supply voltage	Vdd-Vss	25°C	2.7	-	5.5	V			
LCD operation voltage	Vop	Top	N	W	N	W	N	W	V
		-20°C	-	6	-	6.4	-	6.8	V
		0°C	5.3	-	5.6	-	5.9	-	V
		25°C	5.1	5.8	5.4	6.2	5.7	6.6	V
		50°C	4.4	-	4.7	-	5	-	V
70°C	-	5.6	-	5.9	-	6.2	V		
LCM current consumption (No B/L)	Idd	Vdd=5V	-	0.5	1	mA			
Backlight current consumption	LED/edge	VB/L=2.1V	-	-	-	mA			
	LED/array	VB/L=4.2V	-	-	-	mA			

REMARK

LCD option: STN, TN, FSTN

Backlight Option: LED,EL Backlight feature, other Specs not available on catalog is under request.

