

Mini-DIN Plug Cable Mount Assembly

Materials

- Housing – 94V-0 thermoplastic
- Shell – Carbon steel 50µ" Ni
- Boot – 94V-0 PVC

Related Information

- Splicing Contact – G18EC see below
- Mating Half – Page C-13 & below
- Inserts – D-26

Part Number System:

G18E XX X X X X

Mini-DIN Plug Assembly
Crimp Type

NUMBER OF POSITIONS

- 03: 3 Position
- 04: 4 Position
- 05: 5 Position
- 06: 6 Position
- 07: 7 Position
- 08: 8 Position

SHELL FINISH

- 0: Tin/lead
- 1: Nickel



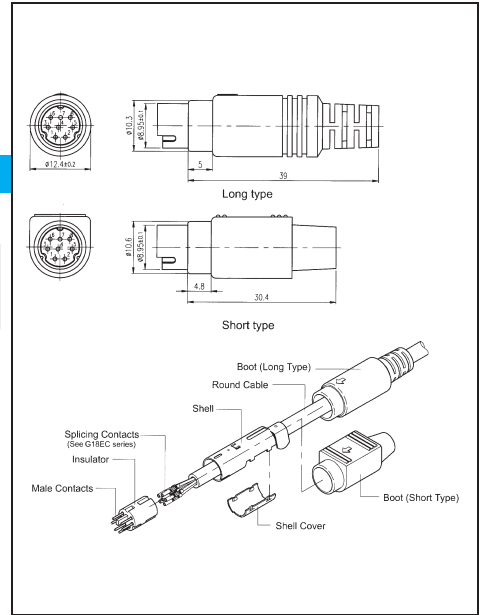
Suffix may be added to Part Number. This Suffix is for Internal use mainly. Additional Suffix 'EU' or 'LF' may be added for RoHS compliant product.

BOOT STYLE

- 0: Long
- 1: Short

CONTACT FINISH

- 0: Gold Flash
- 1: 30µ" Gold
- 3: 15µ" Gold
- 5: 100µ" Tin/Lead



Mini-DIN Contact Crimp Splice for G18E above

Materials

- Contact – P/B with 50µ" Ni

Durability

- Gold Flash – 75 cycles
- 15µ" Gold – 125 cycles
- 30µ" Gold – 250 cycles
- 100µ" Tin/lead – 200 cycles

Electrical

- Current – 1.5A
- Voltage – 250VAC/rms 60Hz

Part Number System:

G18EC X X X X

Mini-DIN Splice Contact
Crimp for 24~28AWG

CONTACT FINISH

- 0: Gold Flash
- 1: 30µ" Gold
- 3: 15µ" Gold
- 5: 100µ" Tin/Lead



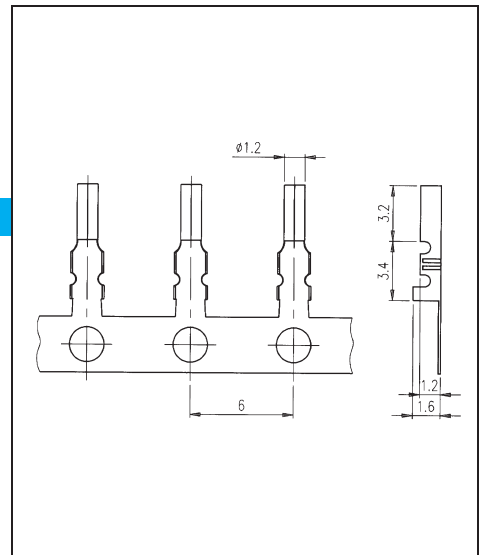
Suffix may be added to Part Number. This Suffix is for Internal use mainly. Additional Suffix 'EU' or 'LF' may be added for RoHS compliant product.

PACKING OPTION

- 3: Reel of 5,000
- 4: Reel of 10,000

PACKING STYLE

- 1: Right Hand Feed
- 2: Left Hand Feed



Mini-DIN PCB Mount Right Angle Receptacle

Materials

- Housing – 94V-0 thermoplastic
- Shield – Carbon steel
- Shield Plating – 100µ" Tin/lead
- Contact – P/B with 50µ" Ni

Durability

- Gold Flash – 75 cycles
- 15µ" Gold – 125 cycles
- 30µ" Gold – 250 cycles
- 100µ" Tin/lead – 200 cycles

Electrical

- Current – 1.5A
- Voltage – 250VAC/rms 60Hz

Related Information

- Mating Half – See above
- Inserts – D-26

Part Number System:

G18X XX X X

Mini-DIN Dual Port Rec.
G18J: Standard Temperature
G18K: Shielded

NUMBER OF POSITIONS

- 03: 3 Position
- 04: 4 Position
- 05: 5 Position
- 06: 6 Position
- 07: 7 Position
- 08: 8 Position
- 09: 9 Position



Suffix may be added to Part Number. This Suffix is for Internal use mainly. Additional Suffix 'EU' or 'LF' may be added for RoHS compliant product.

BOARDLOCK OPTIONS

- 0: None
- 1: Centre Arrowhead only
- 2: Side Boardlock (G18K only)
- 3: Both Centre & Side Locks (G18K only)

CONTACT FINISH

- 0: Gold Flash
- 1: 1: 30µ" Gold
- 3: 3: 15µ" Gold
- 5: 100µ" Tin/Lead

