

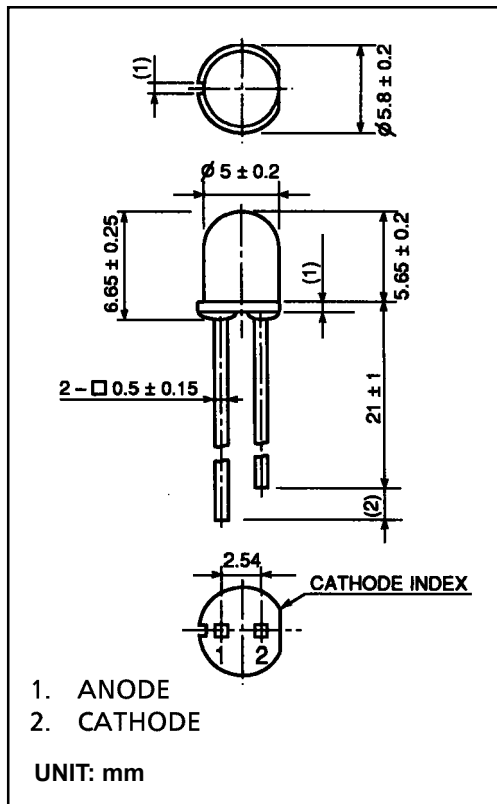
TLYE263AP

Product Features -

- InGaAlP Technology
- T-1¾ Low Profile Package
- High Intensity Yellow Light ($\lambda_p = 590\text{nm}$) Emission
- Water Clear Lens

MAXIMUM RATINGS (Ta = 25°C)

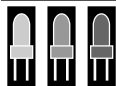
| CHARACTERISTIC | SYMBOL | RATING | UNIT |
|-----------------------|-----------|-----------|------|
| Forward Current | I_F | 50 | mA |
| Reverse Voltage | V_R | 4 | V |
| Power Dissipation | P_D | 125 | mW |
| Operating Temperature | T_{opr} | -30 ~ 85 | °C |
| Storage Temperature | T_{stg} | -40 ~ 120 | °C |



OPTO-ELECTRICAL CHARACTERISTICS (Ta = 25°C)

| CHARACTERISTIC | SYMBOL | TEST CONDITION | MIN. | TYP. | MAX. | UNIT |
|--------------------------|-----------------|----------------|------|------|------|------|
| Forward Voltage | V_F | IF = 20mA | — | 2.1 | 2.5 | V |
| Reverse Current | I_R | VR = 4V | — | — | 50 | µA |
| Luminous Intensity | I_V | IF = 20mA | 45 | 150 | — | mcd |
| Viewing Angle | $2\theta_{1/2}$ | — | — | 100 | — | ° |
| Peak Wavelength | λ_p | IF = 20mA | — | 590 | — | nm |
| Dominant Wavelength | λ_d | IF = 20mA | — | 587 | — | nm |
| Spectral Line Half Width | $\Delta\lambda$ | IF = 20mA | — | 13 | — | nm |

* Luminous Ranks: (M : 56-112mcd), (N : 100-200mcd), (P : 180-360mcd) Upper and lower limit tolerance $\pm 15\%$
Available in One Bin Combination: (MN)



marktech
optoelectronics

120 Broadway • Menands, New York 12204

Toll Free: (800) 98-4LEDS • Fax: (518) 432-7454

TLYE263AP Graphs -

