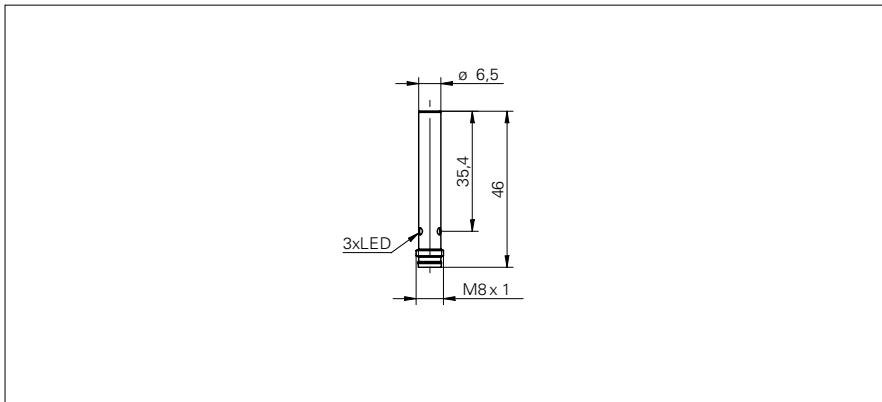


Inductive proximity switch

IFRM 06 (Sn = 3 mm)

sample drawing



general data

mounting type	quasi shielded
special type	enhanced distance (GammaProx)
nominal sensing distance Sn	3 mm
hysteresis	2 ... 25 % of Sr

electrical data

switching frequency	< 1 kHz
voltage supply range +Vs	12 ... 30 VDC
current consumption max.	18 mA
voltage drop Vd	< 2 VDC
output current	< 200 mA
short circuit protection	yes
reverse polarity protection	yes

mechanical data

type	cylindrical smooth
material (sensing face)	PBT
housing material	stainless steel
dimension	6,5 mm

cable

housing length	40 mm
----------------	-------

connector M8

housing length	46 mm
----------------	-------

ambient conditions

operating temperature	-25 ... +75 °C
protection class	IP 67

sample picture



order reference	connection types	output circuit	output indicator
IFRM 06N17G1/L	cable	NPN make function (NO)	LED red
IFRM 06N17G1/S35L	connector M8	NPN make function (NO)	3 port LED red
IFRM 06N37G1/L	cable	NPN break function (NC)	LED red
IFRM 06N37G1/S35L	connector M8	NPN break function (NC)	3 port LED red
IFRM 06P17G1/L	cable	PNP make function (NO)	LED red
IFRM 06P17G1/S35L	connector M8	PNP make function (NO)	3 port LED red
IFRM 06P37G1/L	cable	PNP break function (NC)	LED red
IFRM 06P37G1/S35L	connector M8	PNP break function (NC)	3 port LED red