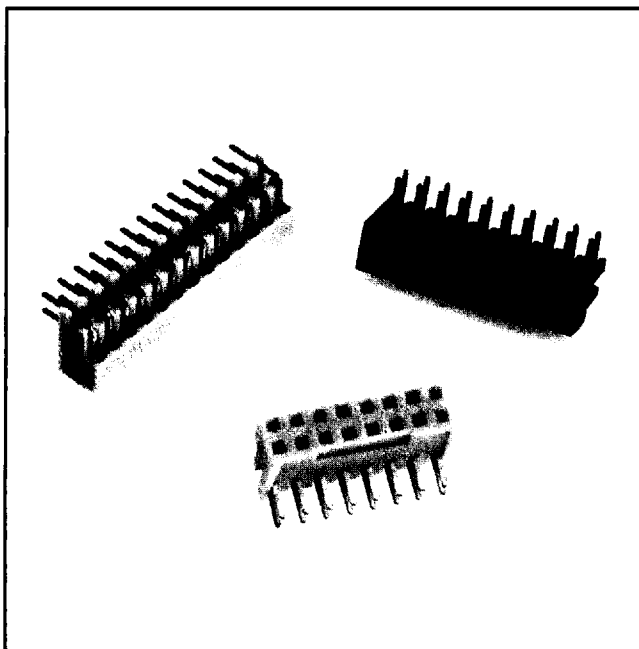


2mm × 2mm Boardmount Socket

Right Angle, Solder Tails

1502 Series



- High temperature dielectric
- IR, vapor and wave solder compatible
- Minimizes PC board space
- Mates with 2.5" hard drives for direct connect applications
- Mates with pin headers for board stacking applications
- End stackable feature

TS-0520-10
Sheet 1 of 2

17

Physical

Insulation

Material: Glass Filled PCT
Flammability: UL 94V-0
Color: Natural or Black

Contact

Material: Copper Alloy
Plating
Underplate: 50-150 μ " [1.27-3.81 μ m] Nickel — QQ-N-290, Class 2
Wiping Area: Gold — MIL-G-45204, Type II, Grade C
Solder Tails: 100-300 μ " [2.54-7.62 μ m] 90/10 Tin Lead — MIL-P-81728

Marking: Orientation delta and 3M logo

Note: The location and thickness of the contact plating is determined by the part number. Refer to ordering information.

Electrical

Current Rating: 1.5 A
Insulation Resistance: $> 5 \times 10^9 \Omega$ at 250 Vdc
Withstanding Voltage: 500 Vdc at Sea Level

Environmental

Temperature Rating: -55°C to $+105^\circ\text{C}$

UL File No.: E68080

3M Electronic Products Division D 19F ■ 9035312 0004240 065 ■

<http://www.3M.com/interconnects/>

42

For technical, sales or ordering information call
800-225-5373

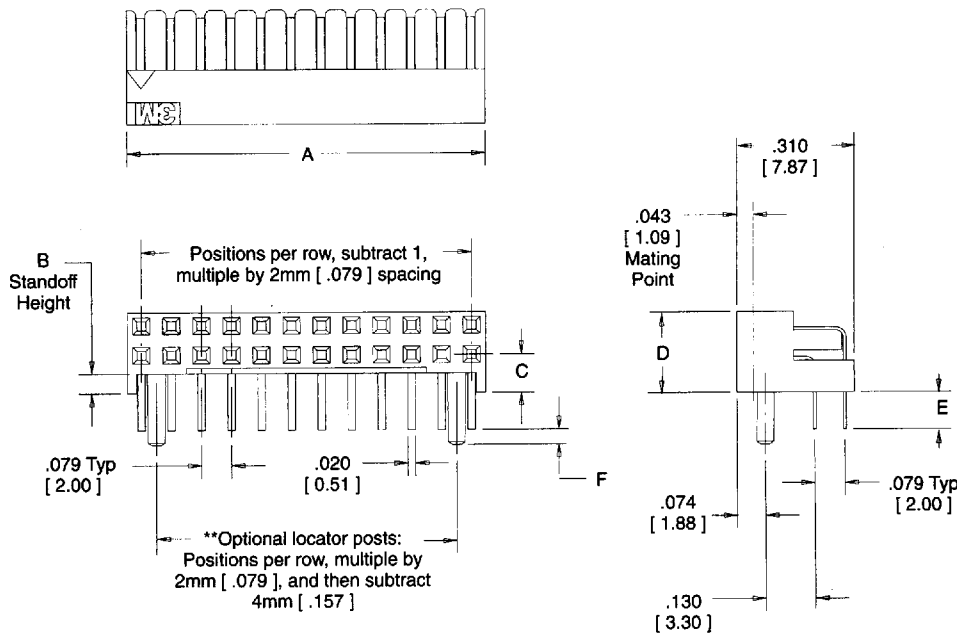
2mm × 2mm Boardmount Socket

Right Angle, Solder Tails

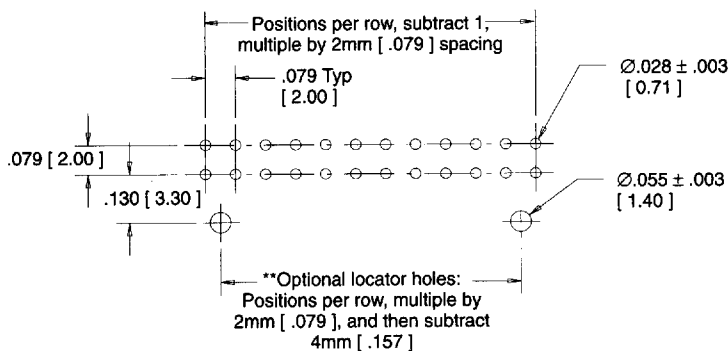
1502 Series



Contact Quantity	Dimension A
10	0.389 [10 mm]
12	0.467 [12 mm]
14	0.546 [14 mm]
16	0.625 [16 mm]
18	0.704 [18 mm]
20	0.782 [20 mm]
22	0.861 [22 mm]
24	0.940 [24 mm]
26	1.019 [26 mm]
28	1.097 [28 mm]
30	1.176 [30 mm]
32	1.255 [32 mm]
34	1.334 [34 mm]
36	1.412 [36 mm]
38	1.491 [38 mm]
40	1.570 [40 mm]
42	1.649 [42 mm]
44	1.727 [44 mm]
46	1.806 [46 mm]
48	1.885 [48 mm]
50	1.964 [50 mm]
52	2.042 [52 mm]
54	2.121 [54 mm]
56	2.200 [56 mm]
58	2.278 [58 mm]
60	2.357 [60 mm]



	.015	.028	.053
B	[0.4]	[0.7]	[1.3]
C	[1.6]	[2.0]	[2.6]
D	[4.5]	[4.9]	[5.5]
E	[2.5]	[3.2]	[2.5]
F	[1.0]	[0.4]	[1.0]



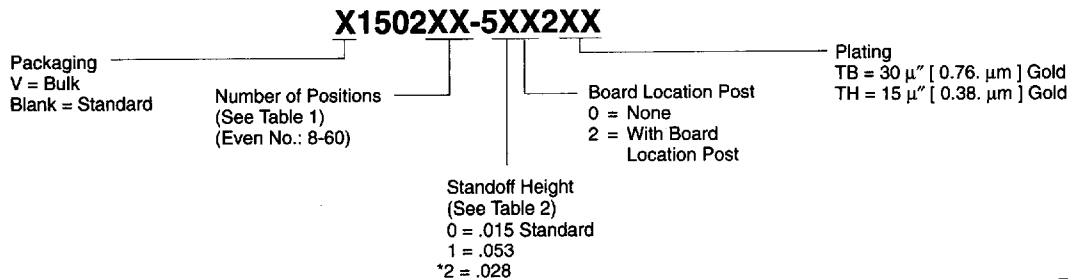
Inch [mm]

Tolerance Unless Noted			
	.0	.00	.000
Inch	± .1	± .01	± .005

[] Dimensions for Reference only

**Optional Locator Posts. available for positions eight and greater.

Ordering Information



* Available Sizes 40, 44, and 50

TS-0520-10
Sheet 2 of 2