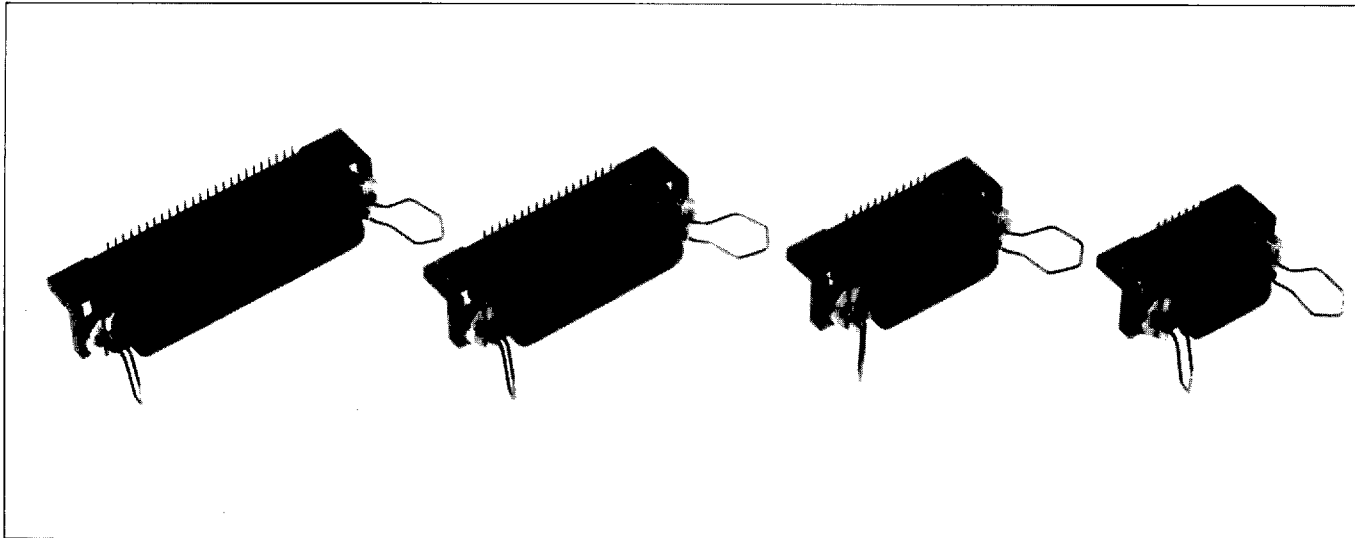


# 57L Series



Right angle solder dip connectors  
Plastic shell version



## FEATURES

- Highly-reliable, scoop-proof cantilever contact design
- Intermateable with 57 family connectors
- UL recognized (File No. E72124)

## SPECIFICATIONS

Rated voltage .....500V AC(r.m.s.)  
Rated current .....3A/contact  
Dielectric withstanding .....1200V AC(r.m.s.)  
voltage 1 minute  
Insulation resistance .....1000M $\Omega$  min.  
at 500V DC  
Contact resistance .....35m $\Omega$  max.

## MATERIAL/FINISH

Contact.....Copper alloy/  
Gold over Nickel plate  
Insulator .....PBT resin (UL94V-0)  
Spring latch.....Stainless steel

# 57L Series



## Ordering Information

Unit:mm(inch)

### ● Connector

**57L - 40 50 0 - 7 7 C O (D12)**

#### CONNECTOR STYLE

40 : Receptacle,  
with spring latches

#### NO. OF CONTACTS

14, 24, 36, 50

#### CONTACT PLATING

- 1 : 0.8 $\mu$ m(30 $\mu$ ) Gold over Nickel  
Tail.....Gold flash over Nickel
- 2 : 0.4 $\mu$ m(15 $\mu$ ) Gold over Nickel  
Tail.....Gold flash over Nickel
- 6 : 0.8 $\mu$ m(30 $\mu$ ) Gold over Nickel  
Tail.....Solder plating
- 7 : 0.4 $\mu$ m(15 $\mu$ ) Gold over Nickel  
Tail.....Solder plating

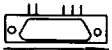


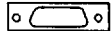
#### TAIL LENGTH

- 3 : 3.2mm(.126)
- 7 : 4.75mm(.187)

#### DEVIATION

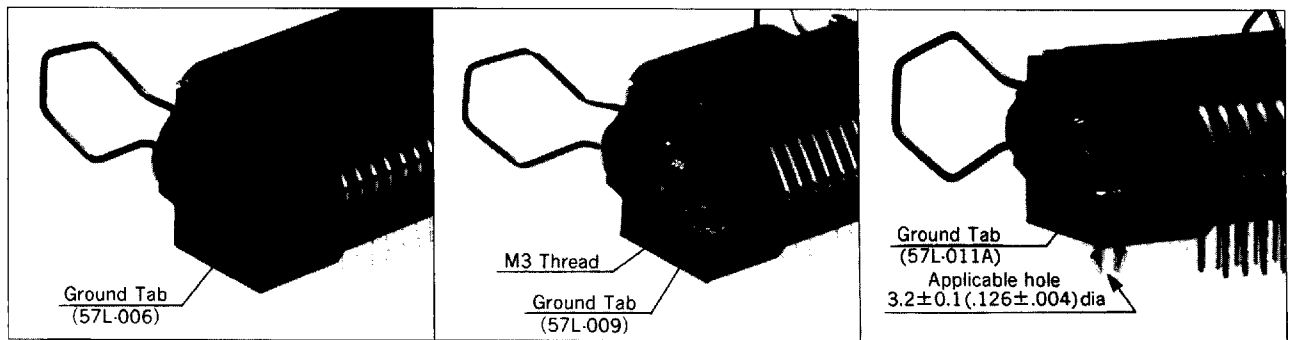
- (D1) : without spring latch
- (D3) : with 57L-006 ground tab
- (D12) : with 57L-009 ground tab
- (D29) : with 57L-011A ground tab

#### MOUNTING STYLE/INSULATOR COLOR

- O :  /Blue...(standard)
- R :  /Blue
- B :  /Black
- C :  /Black

#### REAR COVER

- O : less cover
- C : with cover



57L-40xx0-xxxx (D3)

57L-40xx0-xxxx (D12)

57L-40xx0-xxxx (D29)

### ● Contact tail cover

**57L-50-004B**

#### NO. OF CONTACTS

14, 24, 36, 50

#### INSULATOR COLOR

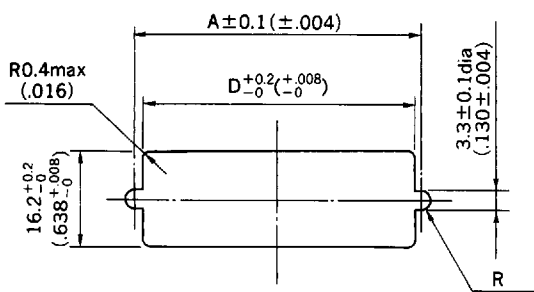
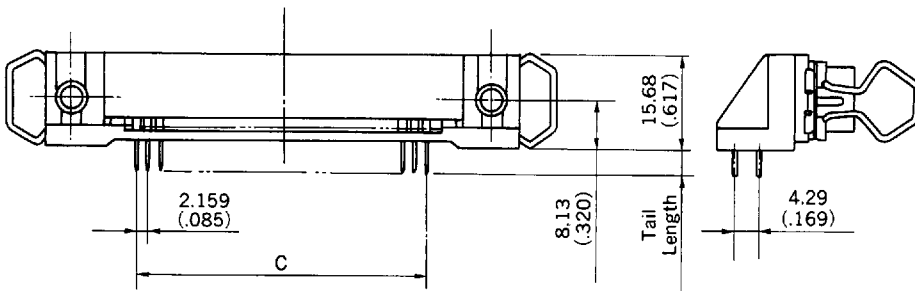
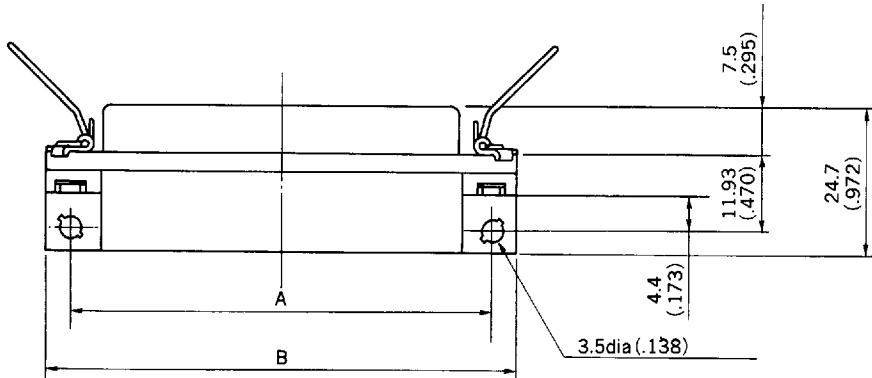
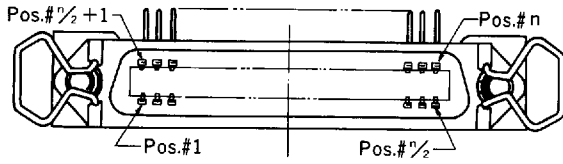
No designation : Blue  
B : Black

# 57L Series

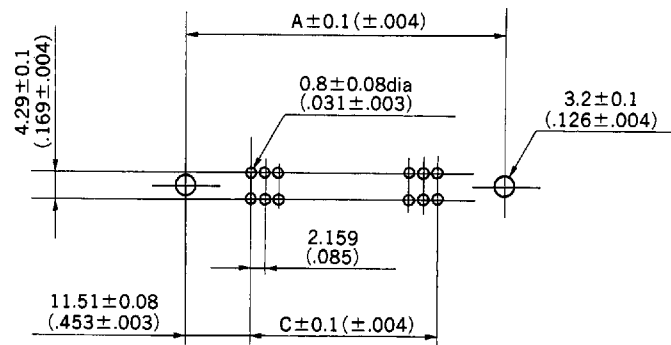


**With spring latch**  
**P/N : 57L-40xx0-xxxx**

Unit:mm(inch)



**Panel cut out dimensions**  
**Thickness = 1.6max (.063)**



**PCB mounting dimensions**

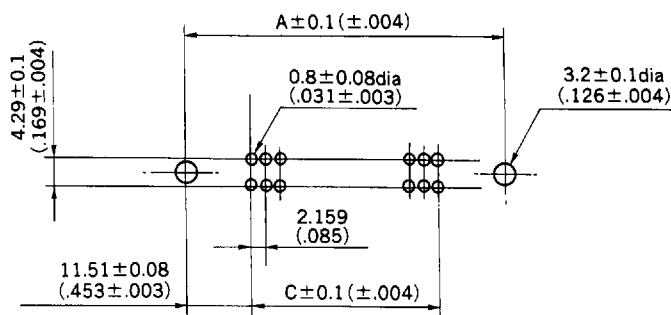
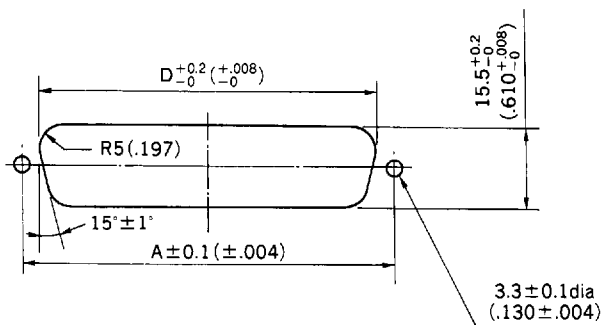
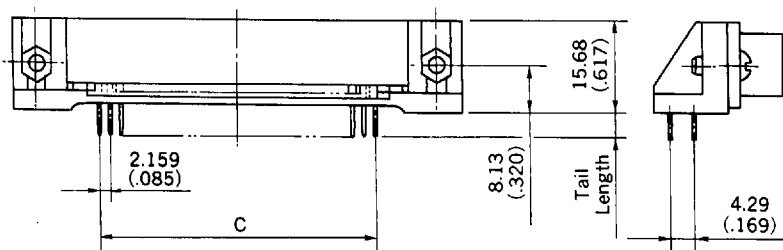
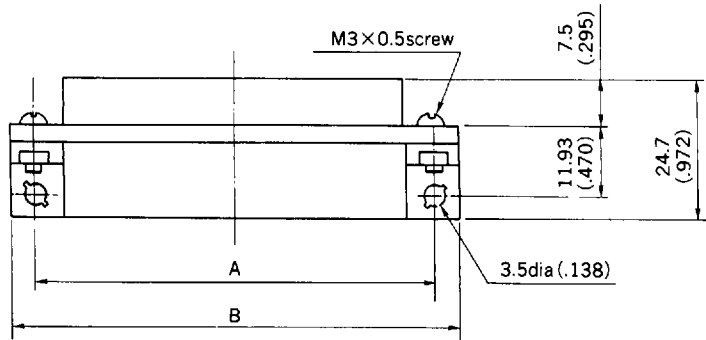
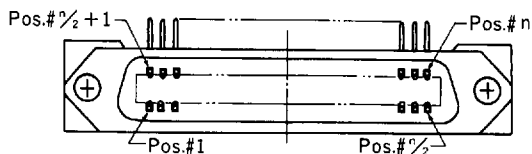
NO. OF CONT'S	A	B	C	D
14	36.00 (1.417)	44.00 (1.732)	12.96 (.510)	35.3 (1.390)
24	46.78 (1.842)	54.78 (2.157)	23.76 (.935)	46.08 (1.814)
36	59.74 (2.352)	67.74 (2.667)	36.72 (1.446)	59.04 (2.324)
50	74.85 (2.947)	82.85 (3.262)	51.84 (2.041)	74.15 (2.919)

# 57L Series



Without spring latch  
P/N : 57L-40xx0-xxxx (D1)

Unit:mm(inch)



Panel cut out dimensions  
Thickness = 1.6max (.063)

PCB mounting dimensions

NO. OF CONT'S	A	B	C	D
14	36.00 (1.417)	44.00 (1.732)	12.96 (.510)	29.3 (1.154)
24	46.78 (1.842)	54.78 (2.157)	23.76 (.935)	40.1 (1.579)
36	59.74 (2.352)	67.74 (2.667)	36.72 (1.446)	53.0 (2.087)
50	74.85 (2.947)	82.85 (3.262)	51.84 (2.041)	68.2 (2.685)