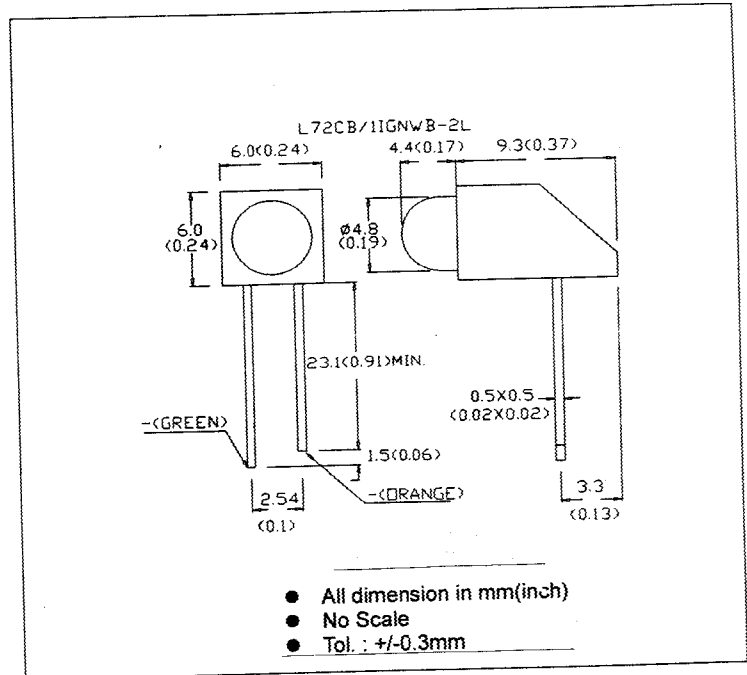


FEATURES

Ideal for card edge status indication
 Option for different color LED
 Package allows flush seating on a PCB boards

DESCRIPTION

L72CB/11GNWB-2L is a right angle LED unit that incorporated a dual color - orange/green, tinted Ø4.8mm LED lamp in a black plastic



ABSOLUTE MAXIMUM RATINGS

Power Dissipation @ Ta=25°C
 Forward Current, DC (IF)
 Reverse Voltage
 Operating & Storage Temperature Range
 Lead Soldering Temperature (1/16" from body)

	<u>Orange</u>	<u>Green</u>
Power Dissipation	100mW	100mW
Forward Current, DC (IF)	30mA	30mA
Reverse Voltage	5V	5V
Operating & Storage Temperature Range	-55 to +100°C	
Lead Soldering Temperature (1/16" from body)	260°C for 5 sec.	

ELECTRO-OPTICAL CHARACTERISTICS (Ta=25°C)

PARAMETER	SYMBOL	MIN	TYP	MAX	UNIT	CONDITIONS
Forward Voltage	V _F			3	V	I _F =20mA
				3	V	I _F =20mA
Reverse Breakdown Voltage	BV _R	5			V	I _R =100µA
		5			V	I _R =100µA
Luminous Intensity	I _v	15	20		mcd	I _F =20mA
		15	20		mcd	I _F =20mA
Peak Wavelength	λ _p		630		nm	I _F =20mA
			570		nm	I _F =20mA
Spectral Line Half Width	Δλ		40		nm	I _F =20mA
			30		nm	I _F =20mA



MICRO ELECTRONICS LTD.

38, Hung To Road, Microtron Building, Kwun Tong, Kowloon, Hong Kong.
 Kwun Tong P.O. Box 69477 Hong Kong. Fax No. 2341 0321 Telex: 43510 Micro Hx. Tel: 2343 0181-5