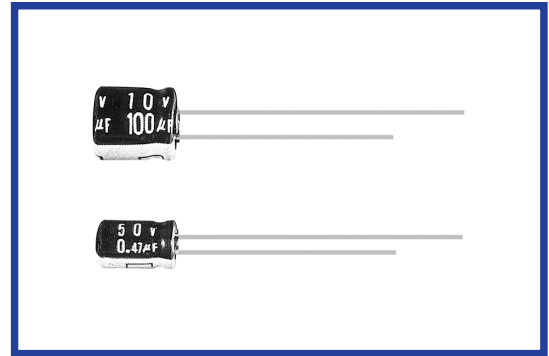


**MH7 SERIES**

105°C 7mm Height.

◆FEATURES

•RoHS compliance.

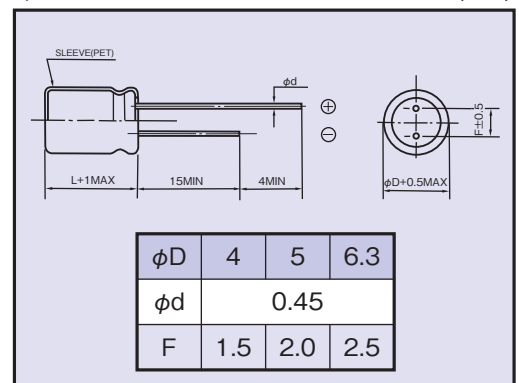


◆SPECIFICATIONS

Items	Characteristics						
Category Temperature Range	-40~+105°C						
Rated Voltage Range	6.3~50V.DC						
Capacitance Tolerance	±20% (20°C, 120Hz)						
Leakage Current(MAX)	I=0.01CV or 3µA whichever is greater. (After 2 minutes application of rated voltage)						
	I=(µA) Leakage Current	C=(µF) Rated Capacitance		V=(V) Rated Voltage			
(tanδ) Dissipation Factor(MAX)	Rated Voltage	6.3	10	16	25	35	50 (20°C, 120Hz)
	tanδ	0.24	0.20	0.16	0.14	0.12	0.10
Endurance	After applying rated voltage with rated ripple current for 1000 hours at 105°C, the capacitors shall meet the following requirements.						
	Capacitance Change	Within ±25% of the initial value.					
	Dissipation Factor	Not more than 200% of the specified value.					
Low Temperature Stability Impedance Ratio(MAX)	Leakage Current						
	Not more than the specified value.						
	Rated Voltage	6.3	10	16	25	35	50 (120Hz)
Z(-25°C)/Z(20°C)	3	2	2	2	2	2	
Z(-40°C)/Z(20°C)	6	5	4	3	3	3	

◆DIMENSIONS

(mm)



◆MULTIPLIER FOR RIPPLE CURRENT

Frequency Coefficient

Coefficient	(Hz) Frequency	60(50)	120	500	1k	10k≤
	0.1~1µF	0.50	1.0	1.20	1.30	1.50
2.2~4.7µF	0.65	1.0	1.20	1.30	1.50	
10~47µF	0.8	1.0	1.20	1.30	1.50	
100µF	0.8	1.0	1.10	1.15	1.20	

◆STANDARD SIZE Size φD×L(mm), Ripple Current (mA r.m.s./105°C, 120Hz)

VV (V.DC)	Cap (µF)	Size (φD×L)	Rated Ripple Current
6.3 (0J)	22	4×7	34
	33	5×7	42
	47	5×7	50
	100	6.3×7	77
10 (1A)	22	5×7	38
	33	5×7	47
	47	6.3×7	65
	100	6.3×7	87

VV (V.DC)	Cap (µF)	Size (φD×L)	Rated Ripple Current
16 (1C)	10	4×7	29
	22	5×7	44
	33	6.3×7	60
	47	6.3×7	70
	100	6.3×7	91
25 (1E)	10	5×7	33
	22	6.3×7	51
	33	6.3×7	65
	47	6.3×7	70

VV (V.DC)	Cap (µF)	Size (φD×L)	Rated Ripple Current
35 (1V)	4.7	4×7	24
	10	5×7	36
	22	6.3×7	60
	33	6.3×7	65
	0.1	4×7	1.0
50 (1H)	0.22	4×7	2.3
	0.33	4×7	3.5
	0.47	4×7	5
	1	4×7	10
	2.2	4×7	19
	3.3	4×7	24
	4.7	5×7	29
	10	6.3×7	44
	22	6.3×7	60

◆OPTION

	Code
PET Sleeve	EFC

◆PART NUMBER

MH7    M    D×L  
 Rated Voltage Series Rated Capacitance Capacitance Tolerance Option Lead Forming Case Size