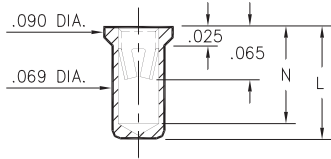


### 0331/9353

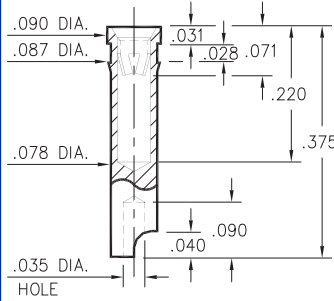


Basic Part Number	Length L	Depth N
0331-0	.150	.127
9353-0	.170	.147

**X3XX-0-15-XX-18-XX-10-0**

Solder mount in .071 min. mounting hole  
Also available on 24mm wide carrier tape: 1,000 parts per 13" reel.  
Order as: X3XX-0-57-XX-18-XX-10-0

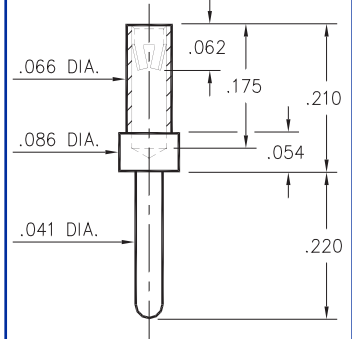
### 7405



**7405-0-18-XX-18-XX-10-0**

Press-fit in .084 mounting hole  
Accepts wire sizes up to .025" Dia.

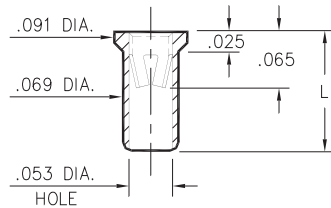
### 3450



**3450-0-15-XX-18-XX-04-0**

Solder mount in .043 min. mounting hole

### 9354/7406

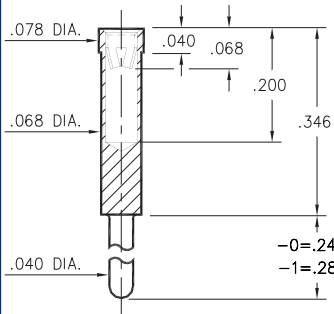


Basic Part Number	Length L
7406-0	.120
9354-0	.170

**XXXX-0-15-XX-18-XX-10-0**

Solder mount in .071 min. mounting hole

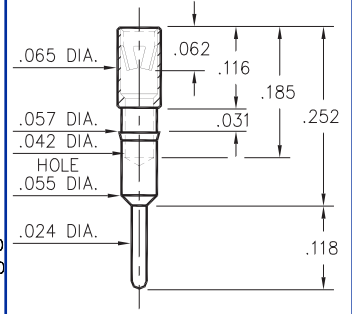
### 0319



**0319-X-15-XX-18-XX-04-0**

Solder mount in .042 min. mounting hole

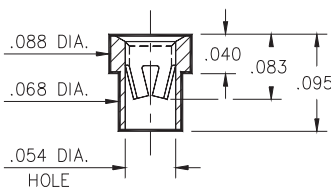
### 1313



**1313-0-15-XX-18-XX-04-0**

Press-fit in .056 mounting hole

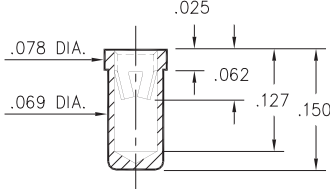
### 3520



**3520-0-15-XX-18-XX-10-0**

Solder mount in .070 min. mounting hole

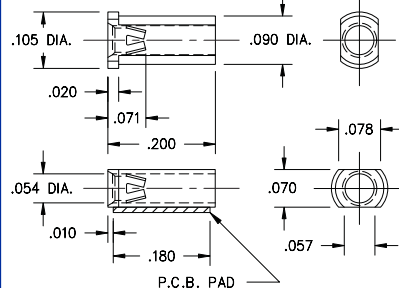
### 8331



**8331-0-15-XX-18-XX-10-0**

Solder mount in .071 min. mounting hole

### 6628

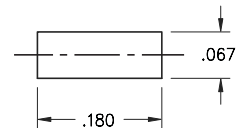


**6628-0-18-XX-18-XX-10-0**

Surface mount  
Also available on 12mm wide carrier tape: 3,700 parts per 13" reel.  
Order as: 6628-0-58-XX-18-XX-10-0



P.C.B. Layout



## SPECIFICATIONS

**SHELL MATERIAL:**  
Brass Alloy 360, 1/2 Hard

**CONTACT MATERIAL:**  
Beryllium Copper Alloy 172, HT

**DIMENSION IN INCHES**  
**TOLERANCES ON:**  
LENGTHS: ±.005  
DIAMETERS: ±.002  
ANGLES: ± 2°

**ORDER CODE: XXXX - X - 1X - XX - 18 - XX - XX - 0**

**BASIC PART #**

**SPECIFY SHELL FINISH:**  
01 200µ" TIN/LEAD OVER NICKEL  
◇ 80 200µ" TIN OVER NICKEL (RoHS)  
◇ 15 10µ" GOLD OVER NICKEL (RoHS)

**SPECIFY CONTACT FINISH:**  
01 200µ" TIN/LEAD OVER NICKEL  
◇ 80 200µ" TIN OVER NICKEL (RoHS)  
◇ 27 30µ" GOLD OVER NICKEL (RoHS)



**CONTACT**

#18 CONTACT (DATA ON PAGE 223)