

**FEATURES**

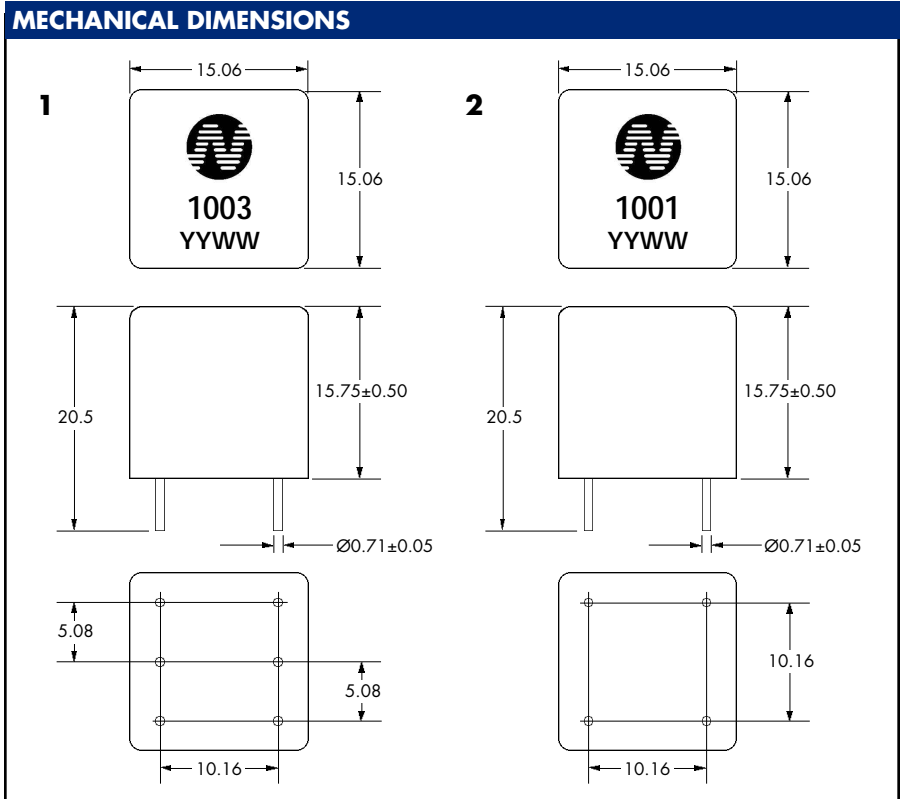
- UL 94V-0 Package Material
- Isolation to 2kVrms
- Inductance to 35mH
- Compact Footprint
- PCB Mounting

**DESCRIPTION**

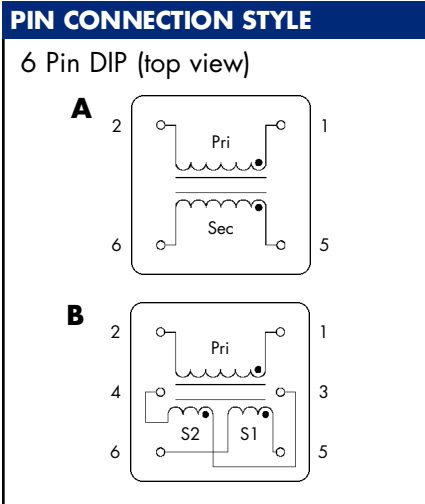
The 1000 series are intended for wideband and pulse operations. They are also suitable for signal isolation and small isolated power supplies. The compact footprint makes them ideal for applications where space is at a premium.

| SELECTION GUIDE |                       |                                     |                           |                                       |   |                                     |   |   |                        |                      |               |
|-----------------|-----------------------|-------------------------------------|---------------------------|---------------------------------------|---|-------------------------------------|---|---|------------------------|----------------------|---------------|
| Order Code      | Turns Ratio $\pm 2\%$ | Primary Inductance (MIN) 1kHz, 10mV | Primary ET Constant (MIN) | Leakage Inductance (MAX) 100kHz, 10mV | Interwinding Capacitance (MAX) 100kHz, 10mV | DC Resistance (MAX) Primary Winding | DC Resistance (MAX) Secondary 1 Winding | DC Resistance (MAX) Secondary 2 Winding | Isolation Voltage Vrms | Pin Connection Style | Package Style |
| <b>1001</b>     | 1:1                   | 3.0                                 | 200                       | 22                                    | 23  | 1.2                                 | 1.0                                     | -                                       | 2000                   | A                    | 2             |
| <b>1002</b>     | 1:1:1                 | 3.0                                 | 200                       | 9                                     | 28  | 1.4                                 | 1.3                                     | 1.7                                     | 2000                   | B                    | 1             |
| <b>1003</b>     | 2:1:1                 | 12                                  | 400                       | 35                                    | 30  | 4.0                                 | 1.8                                     | 2.4                                     | 2000                   | B                    | 1             |

| ABSOLUTE MAXIMUM RATINGS                        |                |
|---|----------------|
| Operating free air temperature range            | 0°C to 70°C    |
| Storage temperature range                       | -60°C to 125°C |
| Lead Temperature 1.5mm from case for 10 seconds | 300°C          |



All specifications typical at  $T_A=25^\circ\text{C}$ .



C&D Technologies (NCL) Limited reserve the right to alter or improve the specification, internal design or manufacturing process at any time, without notice. Please check with your supplier or visit our web site to ensure that you have the current and complete specification for your product before use.

© C&D Technologies (NCL) Limited 2002 NMP 1000.2

No part of this publication may be copied, transmitted or stored in a retrieval system or reproduced in any way including, but not limited to, photography, photocopy, magnetic or other recording means, without prior written permission from C&D Technologies (NCL) Limited.

Instructions for use are available from [www.dc-dc.com](http://www.dc-dc.com)

**C&D Technologies (NCL) Ltd**  
Tanners Drive, Blakelands North  
Milton Keynes MK14 5BU, England  
Tel: +44 (0)1908 615232  
Fax: +44 (0)1908 617545  
email: [info@cdtechno-ncl.com](mailto:info@cdtechno-ncl.com)

**C&D Technologies (NCL), Inc.**  
3400 E Britannia Drive, Tucson,  
Arizona 85706, USA  
Tel: +1 (800) 547-2537  
Fax: +1 (520) 741-4598  
email: [sales@cdtechno.com](mailto:sales@cdtechno.com)

[www.dc-dc.com](http://www.dc-dc.com)