



345 SERIES

FEATURES

- Coaxial Inline with SMA Connectors
- Excellent Insertion Loss
- Designed for MIL-E-5400 Class II
- Small Size and Lightweight
- Weatherized Versions (345W & 345C)

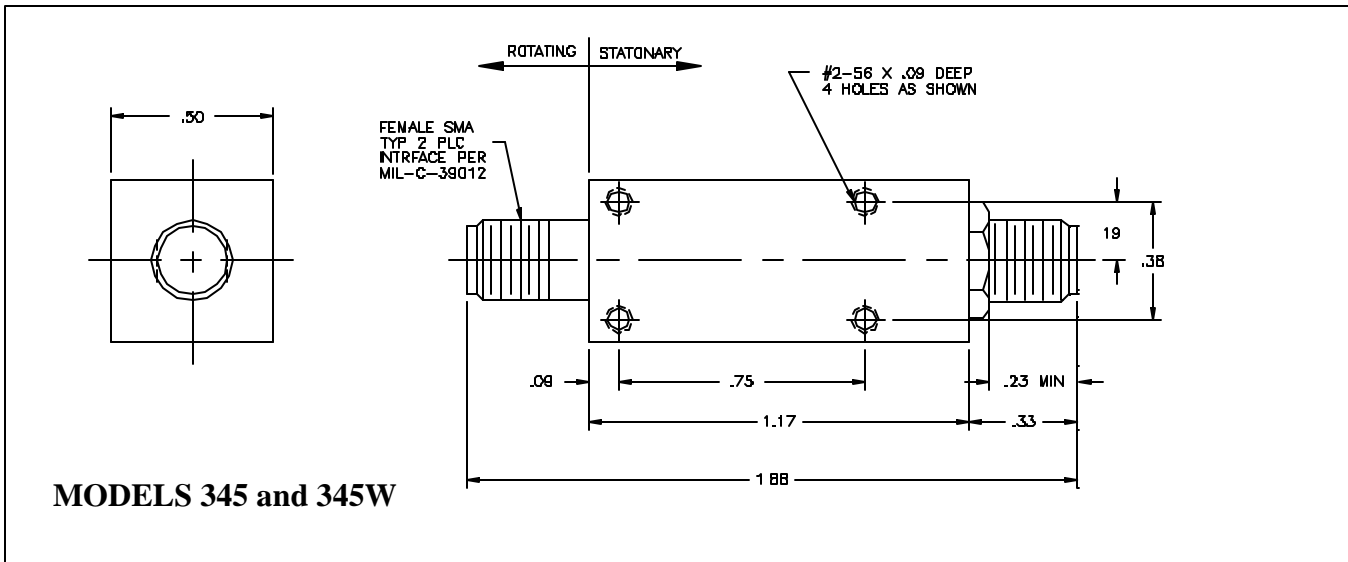
SPECIFICATIONS

Frequency Range f (GHz)	VSWR Max @ f(GHz)	Insertion Loss, max (dB)	Peak Power (W)	Average Power Watts @ f (GHz)	Starting Torque Max (oz-in)	Continuous Rotational Speed (rpm)	Nominal Weight (ounces)	Model Number
DC – 18	DC-10 1.20:1	0.2	500	100 @ 1	1.5	100	1.2	345
	10-18 1.35:1	0.5	500	100 @ 1	3.0	100	1.2	345W
		0.5	500	100 @ 1	3.0	100	0.9	345C

NOTES:

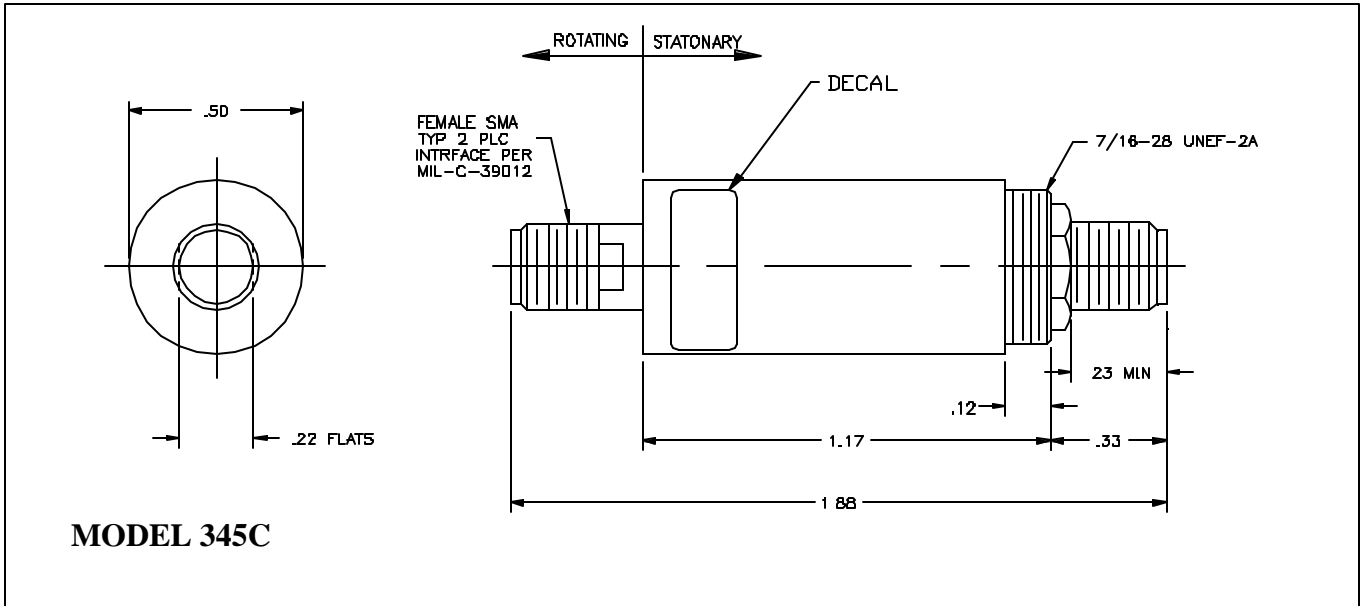
1. WOW (max VSWR/min VSWR) is 1.02 max per 360°.
2. Refer to Power Derating Curves for other frequencies. 500 W Peak
3. Max DC Current is 5 Amps.

OUTLINE DRAWINGS



MODELS 345 and 345W





MICSELLANIOUS:

1. Sage Laboratories Inc. "Standard Warranty and Order Terms and Conditions" apply to all orders.
2. All specifications subject to change without notice.
3. Check "Ordering and Availability Listing" for delivery and ordering information.
4. Contact our local Manufacturers Representative for pricing.

Specification Revision – 061903

