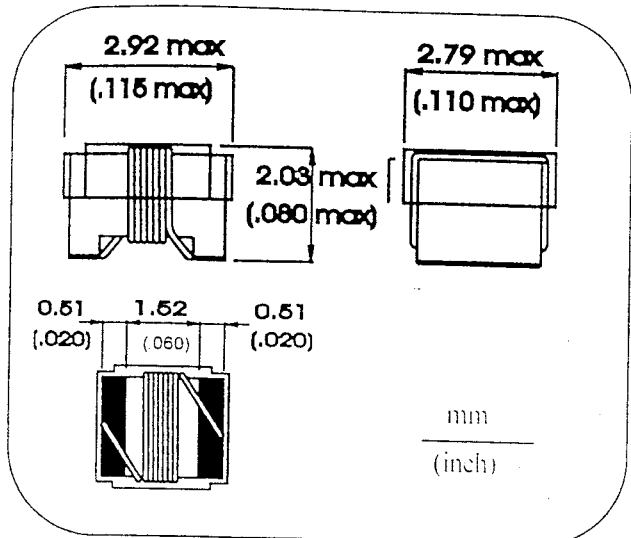


CHIP INDUCTORS 1008C SERIES

High Q,
Low WRR



FEATURE

- ⊙ Small and lightweight surface mounting type.
- ⊙ Coil body made of ceramic material in chip form.
 - High Q at high frequency.
 - High self-resonance frequency.
 - Inductance Range: 10~4700nH.
- ⊙ Applicable to 100MHz~2GHz.

APPLICATION

- ⊙ Pagers.
- ⊙ Mobile communication units.
- ⊙ Portable telephone.
- ⊙ Hybrid.
- ※ Special specifications are available for customer's requirement.
- ※ M for 20% · K for 10% · J for 5% · G for 2%

Part No.	Ind. (nH)	Test Freq. (MHz)	Inductance Tolerance	Q Min	Test Freq. (MHz)	SRF MHz Min	Rdc Ohms Max	RATED CURRENT (mA)
1008C-10N	10	50	M, K	50	500	4100	0.08	1000
1008C-12N	12	50	M, K	50	500	3300	0.09	1000
1008C-15N	15	50	M, K	50	500	2500	0.10	1000
1008C-18N	18	50	M, K, J, G	50	350	2500	0.11	1000
1008C-22N	22	50	M, K, J, G	55	350	2400	0.12	1000
1008C-27N	27	50	M, K, J, G	55	350	1600	0.13	1000
1008C-33N	33	50	M, K, J, G	60	350	1600	0.14	1000
1008C-39N	39	50	M, K, J, G	60	350	1500	0.15	1000
1008C-47N	47	50	M, K, J, G	65	350	1500	0.16	1000
1008C-56N	56	50	K, J, G	65	350	1300	0.18	1000
1008C-68N	68	50	K, J, G	65	350	1300	0.20	1000
1008C-82N	82	50	K, J, G	60	350	1000	0.22	1000
1008C-R10	100	25	K, J, G	60	350	1000	0.56	650
1008C-R12	120	25	K, J, G	60	350	950	0.63	650
1008C-R15	150	25	K, J, G	45	100	850	0.70	580
1008C-R18	180	25	K, J, G	45	100	750	0.77	620
1008C-R22	220	25	K, J, G	45	100	700	0.84	500
1008C-R27	270	25	K, J, G	45	100	600	0.91	500
1008C-R33	330	25	K, J, G	45	100	570	1.05	450
1008C-R39	390	25	K, J, G	45	100	500	1.12	470
1008C-R47	470	25	K, J, G	45	100	450	1.19	470
1008C-R56	560	25	K, J, G	45	100	415	1.33	400
1008C-R62	620	25	K, J, G	45	100	375	1.40	300
1008C-R68	680	25	K, J, G	45	100	375	1.47	400
1008C-R75	750	25	K, J, G	45	100	360	1.54	360
1008C-R82	820	25	K, J, G	45	100	350	1.61	400
1008C-R91	910	25	K, J, G	35	50	320	1.68	380
1008C-1R0	1000	25	K, J, G	35	50	290	1.75	370
1008C-1R2	1200	7.9	K, J, G	35	50	250	2.0	310
1008C-1R5	1500	7.9	K, J, G	28	50	200	2.3	330
1008C-1R8	1800	7.9	K, J, G	28	50	160	2.6	300
1008C-2R2	2200	7.9	K, J, G	28	50	160	2.8	280
1008C-2R7	2700	7.9	K, J, G	22	25	140	3.2	290
1008C-3R3	3300	7.9	K, J, G	22	25	110	3.4	290
1008C-3R9	3900	7.9	K, J, G	20	25	100	3.6	260
1008C-4R7	4700	7.9	K, J, G	20	25	90	4.0	260



FRONTIER ELECTRONICS CO., LTD.

FECLS00018

4 TH FL. NO. 48, MIN CHUAN RD., HSIN TIEN, TAIPEI HSIEN, TAIWAN, R.O.C.

TEL: (02) 29147685-9

FAX: (02) 29186304

02/17/00 F