

## Industrial Temperature

# K4F661612E, K4F641612E

# CMOS DRAM

## 4M x 16bit CMOS Dynamic RAM with Fast Page Mode

### DESCRIPTION

This is a family of 4,194,304 x 16 bit Fast Page Mode CMOS DRAMs. Fast Page Mode offers high speed random access of memory cells within the same row. Refresh cycle(4K Ref. or 8K Ref.), access time (-45, -50 or -60), power consumption(Normal or Low power) are optional features of this family. All of this family have  $\overline{\text{CAS}}$ -before- $\overline{\text{RAS}}$  refresh,  $\overline{\text{RAS}}$ -only refresh and Hidden refresh capabilities. Furthermore, Self-refresh operation is available in L-version. This 4Mx16 Fast Page Mode DRAM family is fabricated using Samsung's advanced CMOS process to realize high band-width, low power consumption and high reliability.

### FEATURES

#### • Part Identification

- K4F661612E-TI/P(3.3V, 8K Ref.)
- K4F641612E-TI/P(3.3V, 4K Ref.)

#### • Active Power Dissipation

Unit : mW

Speed	8K	4K
-45	324	468
-50	288	432
-60	252	396

#### • Refresh Cycles

Part NO.	Refresh cycle	Refresh time	
		Normal	L-ver
K4F661612E*	8K	64ms	128ms
K4F641612E	4K		

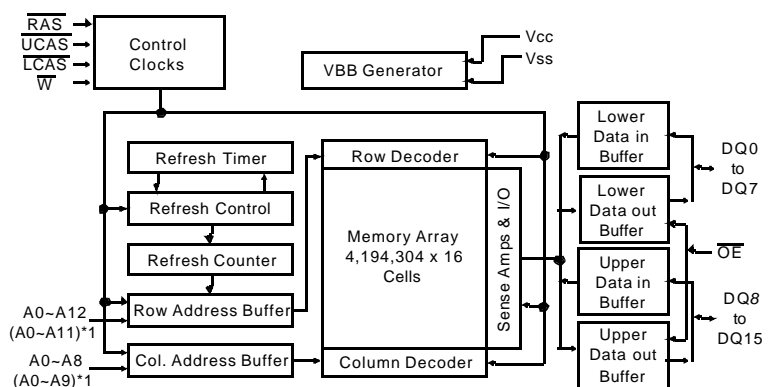
- \* Access mode &  $\overline{\text{RAS}}$  only refresh mode  
 : 8K cycle/64ms(Normal), 8K cycle/128ms(L-ver.)  
 $\overline{\text{CAS}}$ -before- $\overline{\text{RAS}}$  & Hidden refresh mode  
 : 4K cycle/64ms(Normal), 4K cycle/128ms(L-ver.)

#### • Performance Range

Speed	t <sub>TRAC</sub>	t <sub>TCAC</sub>	t <sub>TRC</sub>	t <sub>PC</sub>
-45	45ns	12ns	80ns	31ns
-50	50ns	13ns	90ns	35ns
-60	60ns	15ns	110ns	40ns

- Fast Page Mode operation
- 2 $\overline{\text{CAS}}$  Byte/Word Read/Write operation
- $\overline{\text{CAS}}$ -before- $\overline{\text{RAS}}$  refresh capability
- $\overline{\text{RAS}}$ -only and Hidden refresh capability
- Self-refresh capability (L-ver only)
- Fast parallel test mode capability
- LVTTL(3.3V) compatible inputs and outputs
- Early Write or output enable controlled write
- JEDEC Standard pinout
- Available in Plastic TSOP(II) packages
- +3.3V ±0.3V power supply
- [Industrial Temperature operating](#) ( -40~85°C )

### FUNCTIONAL BLOCK DIAGRAM



Note) \*1 : 4K Refresh

**SAMSUNG ELECTRONICS CO., LTD.** reserves the right to change products and specifications without notice.

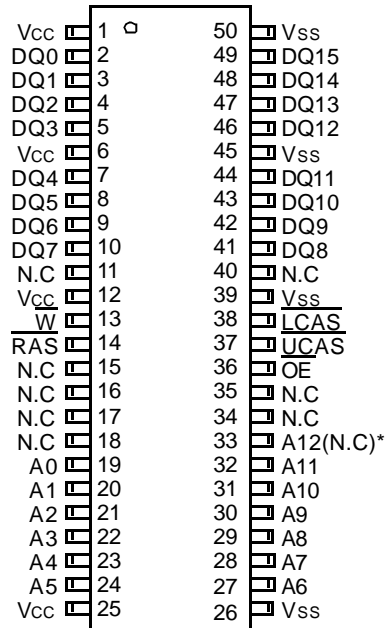
## Industrial Temperature

**K4F661612E, K4F641612E**

**CMOS DRAM**

### PIN CONFIGURATION (Top Views)

- K4F661612E-T
- K4F641612E-T



(400mil TSOP(II))

\*(N.C) : N.C for 4K Refresh Product

Pin Name	Pin function
A0 - A12	Address Inputs(8K Product)
A0 - A11	Address Inputs(4K Product)
DQ0 - 15	Data In/Out
Vss	Ground
$\overline{\text{RAS}}$	Row Address Strobe
$\overline{\text{UCAS}}$	Upper Column Address Strobe
$\overline{\text{LCAS}}$	Lower Column Address Strobe
$\overline{\text{W}}$	Read/Write Input
$\overline{\text{OE}}$	Data Output Enable
Vcc	Power(+3.3V)
N.C	No Connection

## Industrial Temperature

### K4F661612E, K4F641612E

### CMOS DRAM

#### ABSOLUTE MAXIMUM RATINGS

Parameter	Symbol	Rating	Units
Voltage on any pin relative to V <sub>SS</sub>	V <sub>IN</sub> , V <sub>OUT</sub>	-0.5 to +4.6	V
Voltage on V <sub>CC</sub> supply relative to V <sub>SS</sub>	V <sub>CC</sub>	-0.5 to +4.6	V
Storage Temperature	T <sub>stg</sub>	-55 to +150	°C
Power Dissipation	P <sub>D</sub>	1	W
Short Circuit Output Current	I <sub>OS</sub> Address	50	mA

\* Permanent device damage may occur if "ABSOLUTE MAXIMUM RATINGS" are exceeded. Functional operation should be restricted to the conditions as detailed in the operational sections of this data sheet. Exposure to absolute maximum rating conditions for extended periods may affect device reliability.

#### RECOMMENDED OPERATING CONDITIONS (Voltage referenced to V<sub>SS</sub>, T<sub>A</sub> = -40 to 85°C)

Parameter	Symbol	Min	Typ	Max	Units
Supply Voltage	V <sub>CC</sub>	3.0	3.3	3.6	V
Ground	V <sub>SS</sub>	0	0	0	V
Input High Voltage	V <sub>IH</sub>	2.0	-	V <sub>CC</sub> +0.3 <sup>*1</sup>	V
Input Low Voltage	V <sub>IL</sub>	-0.3 <sup>*2</sup>	-	0.8	V

\*1 : V<sub>CC</sub>+1.3V at pulse width ≤15ns which is measured at V<sub>CC</sub>

\*2 : -1.3 at pulse width ≤15ns which is measured at V<sub>SS</sub>

#### DC AND OPERATING CHARACTERISTICS (Recommended operating conditions unless otherwise noted.)

Parameter	Symbol	Min	Max	Units
Input Leakage Current (Any input 0 ≤ V <sub>IN</sub> ≤ V <sub>CC</sub> +0.3V, all other pins not under test=0 Volt)	I <sub>I(L)</sub>	-5	5	uA
Output Leakage Current (Data out is disabled, 0V ≤ V <sub>OUT</sub> ≤ V <sub>CC</sub> )	I <sub>O(L)</sub>	-5	5	uA
Output High Voltage Level(I <sub>OH</sub> =-2mA)	V <sub>OH</sub>	2.4	-	V
Output Low Voltage Level(I <sub>OL</sub> =2mA)	V <sub>OL</sub>	-	0.4	V

## Industrial Temperature

### K4F661612E, K4F641612E

### CMOS DRAM

#### DC AND OPERATING CHARACTERISTICS (Continued)

Symbol	Power	Speed	Max		Units
			K4F661612E	K4F641612E	
I <sub>CC1</sub>	Don't care	-45	90	130	mA
		-50	80	120	mA
		-60	70	110	mA
I <sub>CC2</sub>	Normal L	Don't care	1	1	mA
			1	1	mA
I <sub>CC3</sub>	Don't care	-45	90	130	mA
		-50	80	120	mA
		-60	70	110	mA
I <sub>CC4</sub>	Don't care	-45	70	70	mA
		-50	60	60	mA
		-60	50	50	mA
I <sub>CC5</sub>	Normal L	Don't care	0.5	0.5	mA
			200	200	uA
I <sub>CC6</sub>	Don't care	-45	130	130	mA
		-50	120	120	mA
		-60	110	110	mA
I <sub>CC7</sub>	L	Don't care	350	350	uA
I <sub>CC8</sub>	L	Don't care	350	350	uA

I<sub>CC1</sub>\* : Operating Current ( $\overline{RAS}$  and  $\overline{UCAS}$ ,  $\overline{LCAS}$ , Address cycling @trc=min.)

I<sub>CC2</sub> : Standby Current ( $\overline{RAS}=\overline{UCAS}=\overline{LCAS}=\overline{W}=V_{IH}$ )

I<sub>CC3</sub>\* :  $\overline{RAS}$ -only Refresh Current ( $\overline{UCAS}=\overline{LCAS}=V_{IH}$ ,  $\overline{RAS}$ , Address cycling @trc=min.)

I<sub>CC4</sub>\* : Fast Page Mode Current ( $\overline{RAS}=V_{IL}$ ,  $\overline{UCAS}$  or  $\overline{LCAS}$ , Address cycling @t<sub>PC</sub>=min.)

I<sub>CC5</sub> : Standby Current ( $\overline{RAS}=\overline{UCAS}=\overline{LCAS}=\overline{W}=V_{CC}-0.2V$ )

I<sub>CC6</sub>\* :  $\overline{CAS}$ -Before- $\overline{RAS}$  Refresh Current ( $\overline{RAS}$  and  $\overline{UCAS}$  or  $\overline{LCAS}$  cycling @trc=min)

I<sub>CC7</sub> : Battery back-up current, Average power supply current, Battery back-up mode

Input high voltage( $V_{IH}$ )= $V_{CC}-0.2V$ , Input low voltage( $V_{IL}$ )= $0.2V$ ,  $\overline{UCAS}$ ,  $\overline{LCAS}=\overline{CAS}$ -before- $\overline{RAS}$  cycling or  $0.2V$ ,

$\overline{W}$ ,  $\overline{OE}=V_{IH}$ , Address=Don't care, DQ=Open, T<sub>RC</sub>=31.25us

I<sub>CC8</sub> : Self Refresh Current

$\overline{RAS}=\overline{UCAS}=\overline{LCAS}=0.2V$ ,  $\overline{W}=\overline{OE}=A_0 \sim A_{12}(A_{11})=V_{CC}-0.2V$  or  $0.2V$ , DQ0 ~ DQ15= $V_{CC}-0.2V$ ,  $0.2V$  or Open

**\*Note :** I<sub>CC1</sub>, I<sub>CC3</sub>, I<sub>CC4</sub> and I<sub>CC6</sub> are dependent on output loading and cycle rates. Specified values are obtained with the output open. I<sub>CC</sub> is specified as an average current. In I<sub>CC1</sub>, I<sub>CC3</sub> and I<sub>CC6</sub>, address can be changed maximum once while  $\overline{RAS}=V_{IL}$ . In I<sub>CC4</sub>, address can be changed maximum once within one fast page mode cycle time, t<sub>PC</sub>.

## Industrial Temperature

### K4F661612E, K4F641612E

### CMOS DRAM

#### CAPACITANCE (TA=25°C, VCC=3.3V, f=1MHz)

Parameter	Symbol	Min	Max	Units
Input capacitance [A0 ~ A12]	CIN1	-	5	pF
Input capacitance [ $\overline{\text{RAS}}$ , $\overline{\text{UCAS}}$ , $\overline{\text{LCAS}}$ , $\overline{\text{W}}$ , $\overline{\text{OE}}$ ]	CIN2	-	7	pF
Output capacitance [DQ0 - DQ15]	CDQ	-	7	pF

#### AC CHARACTERISTICS (-40°C ≤ TA ≤ 85°C, See note 2)

Test condition : VCC=3.3V±0.3V, Vih/Vil=2.2/0.7V, Voh/Vol=2.0/0.8V

Parameter	Symbol	-45		-50		-60		Units	Note
		Min	Max	Min	Max	Min	Max		
Random read or write cycle time	tRC	80		90		110		ns	
Read-modify-write cycle time	tRWC	115		133		153		ns	
Access time from $\overline{\text{RAS}}$	tRAC		45		50		60	ns	3,4,10
Access time from $\overline{\text{CAS}}$	tCAC		12		13		15	ns	3,4,5
Access time from column address	tAA		23		25		30	ns	3,10
$\overline{\text{CAS}}$ to output in Low-Z	tCLZ	0		0		0		ns	3
Output buffer turn-off delay	tOFF	0	13	0	13	0	13	ns	6
Transition time (rise and fall)	tT	1	50	1	50	1	50	ns	2
$\overline{\text{RAS}}$ precharge time	tRP	25		30		40		ns	
$\overline{\text{RAS}}$ pulse width	tRAS	45	10K	50	10K	60	10K	ns	
$\overline{\text{RAS}}$ hold time	tRSH	12		13		15		ns	
$\overline{\text{CAS}}$ hold time	tCSH	45		50		60		ns	
$\overline{\text{CAS}}$ pulse width	tCAS	12	10K	13	10K	15	10K	ns	
$\overline{\text{RAS}}$ to $\overline{\text{CAS}}$ delay time	tRCD	18	33	20	37	20	45	ns	4
$\overline{\text{RAS}}$ to column address delay time	tRAD	13	22	15	25	15	30	ns	10
$\overline{\text{CAS}}$ to $\overline{\text{RAS}}$ precharge time	tCRP	5		5		5		ns	
Row address set-up time	tASR	0		0		0		ns	
Row address hold time	tRAH	8		10		10		ns	
Column address set-up time	tASC	0		0		0		ns	13
Column address hold time	tCAH	8		10		10		ns	13
Column address to $\overline{\text{RAS}}$ lead time	tRAL	23		25		30		ns	
Read command set-up time	tRCS	0		0		0		ns	
Read command hold time referenced to $\overline{\text{CAS}}$	tRCH	0		0		0		ns	8
Read command hold time referenced to $\overline{\text{RAS}}$	tRRH	0		0		0		ns	8
Write command hold time	tWCH	8		10		10		ns	
Write command pulse width	tWP	8		10		10		ns	
Write command to $\overline{\text{RAS}}$ lead time	tRWL	13		15		15		ns	
Write command to $\overline{\text{CAS}}$ lead time	tCWL	12		13		15		ns	16
Data set-up time	tDS	0		0		0		ns	9,19
Data hold time	tDH	10		10		10		ns	9,19

## Industrial Temperature

# K4F661612E, K4F641612E

# CMOS DRAM

### AC CHARACTERISTICS (Continued)

Parameter	Symbol	-45		-50		-60		Units	Note
		Min	Max	Min	Max	Min	Max		
Refresh period (Normal)	t <sub>REF</sub>		64		64		64	ms	
Refresh period (L-ver)	t <sub>REF</sub>		128		128		128	ms	
Write command set-up time	t <sub>WCS</sub>	0		0		0		ns	7
$\overline{\text{CAS}}$ to $\overline{\text{W}}$ delay time	t <sub>CWD</sub>	32		36		38		ns	7,15
$\overline{\text{RAS}}$ to $\overline{\text{W}}$ delay time	t <sub>RWD</sub>	67		73		83		ns	7
Column address to $\overline{\text{W}}$ delay time	t <sub>AWD</sub>	43		48		53		ns	7
$\overline{\text{CAS}}$ precharge $\overline{\text{W}}$ delay time	t <sub>CPWD</sub>	48		53		60		ns	
$\overline{\text{CAS}}$ set-up time ( $\overline{\text{CAS}}$ -before- $\overline{\text{RAS}}$ refresh)	t <sub>CSR</sub>	5		5		5		ns	17
$\overline{\text{CAS}}$ hold time ( $\overline{\text{CAS}}$ -before- $\overline{\text{RAS}}$ refresh)	t <sub>CHR</sub>	10		10		10		ns	18
$\overline{\text{RAS}}$ to $\overline{\text{CAS}}$ precharge time	t <sub>RPC</sub>	5		5		5		ns	
Access time from $\overline{\text{CAS}}$ precharge	t <sub>CPA</sub>		26		30		35	ns	3
Fast Page mode cycle time	t <sub>PC</sub>	31		35		40		ns	
Fast Page mode read-modify-write cycle time	t <sub>PRWC</sub>	70		76		85		ns	
$\overline{\text{CAS}}$ precharge time (Fast page cycle)	t <sub>CP</sub>	9		10		10		ns	14
$\overline{\text{RAS}}$ pulse width (Fast page cycle)	t <sub>RASP</sub>	45	200K	50	200	60	200	ns	
$\overline{\text{RAS}}$ hold time from $\overline{\text{CAS}}$ precharge	t <sub>RHCP</sub>	28		30		35		ns	
$\overline{\text{OE}}$ access time	t <sub>OEa</sub>		12		13		15	ns	3
$\overline{\text{OE}}$ to data delay	t <sub>OEED</sub>	12		13		13		ns	
Output buffer turn off delay time from $\overline{\text{OE}}$	t <sub>OEZ</sub>	0	13	0	13	0	13	ns	6
$\overline{\text{OE}}$ command hold time	t <sub>OEH</sub>	12		13		15		ns	
Write command set-up time (Test mode in)	t <sub>WTS</sub>	10		10		10		ns	11
Write command hold time (Test mode in)	t <sub>WTH</sub>	15		15		15		ns	11
$\overline{\text{W}}$ to $\overline{\text{RAS}}$ precharge time (C-B-R refresh)	t <sub>WRP</sub>	10		10		10		ns	
$\overline{\text{W}}$ to $\overline{\text{RAS}}$ hold time (C-B-R refresh)	t <sub>WRH</sub>	10		10		10		ns	
$\overline{\text{RAS}}$ pulse width (C-B-R self refresh)	t <sub>RASS</sub>	100		100		100		us	20,21,22
$\overline{\text{RAS}}$ precharge time (C-B-R self refresh)	t <sub>RPS</sub>	80		90		110		ns	20,21,22
$\overline{\text{CAS}}$ hold time (C-B-R self refresh)	t <sub>CHS</sub>	-50		-50		-50		ns	20,21,22

## Industrial Temperature

### K4F661612E, K4F641612E

### CMOS DRAM

#### TEST MODE CYCLE

( Note 11 )

Parameter	Symbol	-45		-50		-60		Units	Note
		Min	Max	Min	Max	Min	Max		
Random read or write cycle time	t <sub>RC</sub>	85		95		115		ns	
Read-modify-write cycle time	t <sub>RWC</sub>	120		138		160		ns	
Access time from $\overline{\text{RAS}}$	t <sub>RAC</sub>		50		55		65	ns	3,4,10,12
Access time from $\overline{\text{CAS}}$	t <sub>CAC</sub>		17		18		20	ns	3,4,5,12
Access time from column address	t <sub>AA</sub>		28		30		35	ns	3,10,12
$\overline{\text{RAS}}$ pulse width	t <sub>RAS</sub>	50	10K	55	10K	65	10K	ns	
$\overline{\text{CAS}}$ pulse width	t <sub>CAS</sub>	17	10K	18	10K	20	10K	ns	
$\overline{\text{RAS}}$ hold time	t <sub>RSH</sub>	17		18		20		ns	
$\overline{\text{CAS}}$ hold time	t <sub>CSH</sub>	50		55		65		ns	
Column Address to $\overline{\text{RAS}}$ lead time	t <sub>RAL</sub>	28		30		35		ns	
$\overline{\text{CAS}}$ to $\overline{\text{W}}$ delay time	t <sub>CWD</sub>	37		41		43		ns	7
$\overline{\text{RAS}}$ to $\overline{\text{W}}$ delay time	t <sub>RWD</sub>	72		78		88		ns	7
Column Address to $\overline{\text{W}}$ delay time	t <sub>AWD</sub>	48		53		58		ns	7
Fast Page mode cycle time	t <sub>PC</sub>	36		40		45		ns	
Fast Page mode read-modify-write cycle time	t <sub>PRWC</sub>	75		81		90		ns	
$\overline{\text{RAS}}$ pulse width (Fast page cycle)	t <sub>RASP</sub>	50	200K	55	200K	65	200K	ns	
Access time from $\overline{\text{CAS}}$ precharge	t <sub>CPA</sub>		31		35		40	ns	3
$\overline{\text{OE}}$ access time	t <sub>OE A</sub>		17		18		20	ns	
$\overline{\text{OE}}$ to data delay	t <sub>OE D</sub>	17		18		18		ns	
$\overline{\text{OE}}$ command hold time	t <sub>OE H</sub>	17		18		20		ns	



ELECTRONICS

## Industrial Temperature

### K4F661612E, K4F641612E

### CMOS DRAM

#### NOTES

1. An initial pause of 200 $\mu$ s is required after power-up followed by any 8 ROR or CBR cycles before proper device operation is achieved.
2.  $V_{IH}(\min)$  and  $V_{IL}(\max)$  are reference levels for measuring timing of input signals. Transition times are measured between  $V_{IH}(\min)$  and  $V_{IL}(\max)$  and are assumed to be 5ns for all inputs.
3. Measured with a load equivalent to 1 TTL load and 100pF.
4. Operation within the  $t_{RCD}(\max)$  limit insures that  $t_{RAC}(\max)$  can be met.  $t_{RCD}(\max)$  is specified as a reference point only. If  $t_{RCD}$  is greater than the specified  $t_{RCD}(\max)$  limit, then access time is controlled exclusively by  $t_{CAC}$ .
5. Assumes that  $t_{RCD} \geq t_{RCD}(\max)$ .
6.  $t_{OFF}(\min)$  and  $t_{OEZ}(\max)$  define the time at which the output achieves the open circuit condition and are not referenced  $V_{OH}$  or  $V_{OL}$ .
7.  $t_{WCS}$ ,  $t_{RWD}$ ,  $t_{CWD}$  and  $t_{AWD}$  are non restrictive operating parameters. They are included in the data sheet as electric characteristics only. If  $t_{WCS} \geq t_{WCS}(\min)$ , the cycle is an early write cycle and the data output will remain high impedance for the duration of the cycle. If  $t_{CWD} \geq t_{CWD}(\min)$ ,  $t_{RWD} \geq t_{RWD}(\min)$  and  $t_{AWD} \geq t_{AWD}(\min)$ , then the cycle is a read-modify-write cycle and the data output will contain the data read from the selected address. If neither of the above conditions is satisfied, the condition of the data out is indeterminate.
8. Either  $t_{RCH}$  or  $t_{RRH}$  must be satisfied for a read cycle.
9. These parameters are referenced to the  $\overline{CAS}$  leading edge in early write cycles and to the  $\overline{W}$  falling edge in read-modify-write cycles.
10. Operation within the  $t_{RAD}(\max)$  limit insures that  $t_{RAC}(\max)$  can be met.  $t_{RAD}(\max)$  is specified as a reference point only. If  $t_{RAD}$  is greater than the specified  $t_{RAD}(\max)$  limit, then access time is controlled by  $t_{AA}$ .
11. These specifications are applied in the test mode.
12. In test mode read cycle, the value of  $t_{RAC}$ ,  $t_{AA}$ ,  $t_{CAC}$  is delayed by 2ns to 5ns for the specified values. These parameters should be specified in test mode cycles by adding the above value to the specified value in this data sheet.

#### K4F64(6)1612E Truth Table

$\overline{RAS}$	$\overline{LCAS}$	$\overline{UCAS}$	$\overline{W}$	$\overline{OE}$	DQ0 - DQ7	DQ8-DQ15	STATE
H	X	X	X	X	Hi-Z	Hi-Z	Standby
L	H	H	X	X	Hi-Z	Hi-Z	Refresh
L	L	H	H	L	DQ-OUT	Hi-Z	Byte Read
L	H	L	H	L	Hi-Z	DQ-OUT	Byte Read
L	L	L	H	L	DQ-OUT	DQ-OUT	Word Read
L	L	H	L	H	DQ-IN	-	Byte Write
L	H	L	L	H	-	DQ-IN	Byte Write
L	L	L	L	H	DQ-IN	DQ-IN	Word Write
L	L	L	H	H	Hi-Z	Hi-Z	-

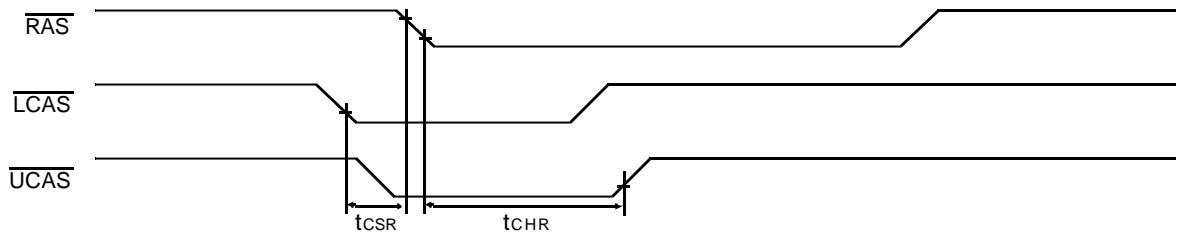


## Industrial Temperature

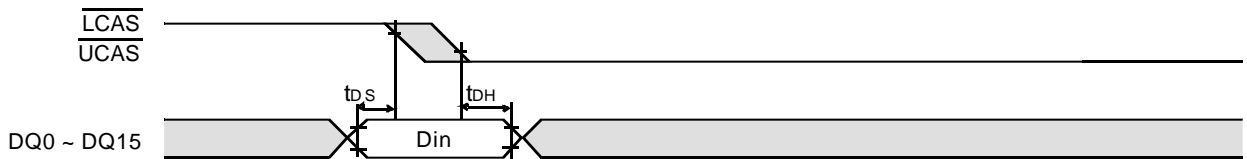
### K4F661612E, K4F641612E

### CMOS DRAM

13.  $t_{ASC}$ ,  $t_{CAH}$  are referenced to the earlier  $\overline{CAS}$  falling edge.
14.  $t_{CP}$  is specified from the last  $\overline{CAS}$  rising edge in the previous cycle to the first  $\overline{CAS}$  falling edge in the next cycle.
15.  $t_{CWD}$  is referenced to the later  $\overline{CAS}$  falling edge at word read-modify-write cycle.
16.  $t_{CWL}$  is specified from  $\overline{W}$  falling edge to the earlier  $\overline{CAS}$  rising edge.
17.  $t_{CSR}$  is referenced to earlier  $\overline{CAS}$  falling before  $\overline{RAS}$  transition low.
18.  $t_{CHR}$  is referenced to the later  $\overline{CAS}$  rising high after  $\overline{RAS}$  transition low.



19.  $t_{DS}$  is specified for the earlier  $\overline{CAS}$  falling edge and  $t_{DH}$  is specified by the later  $\overline{CAS}$  falling edge.



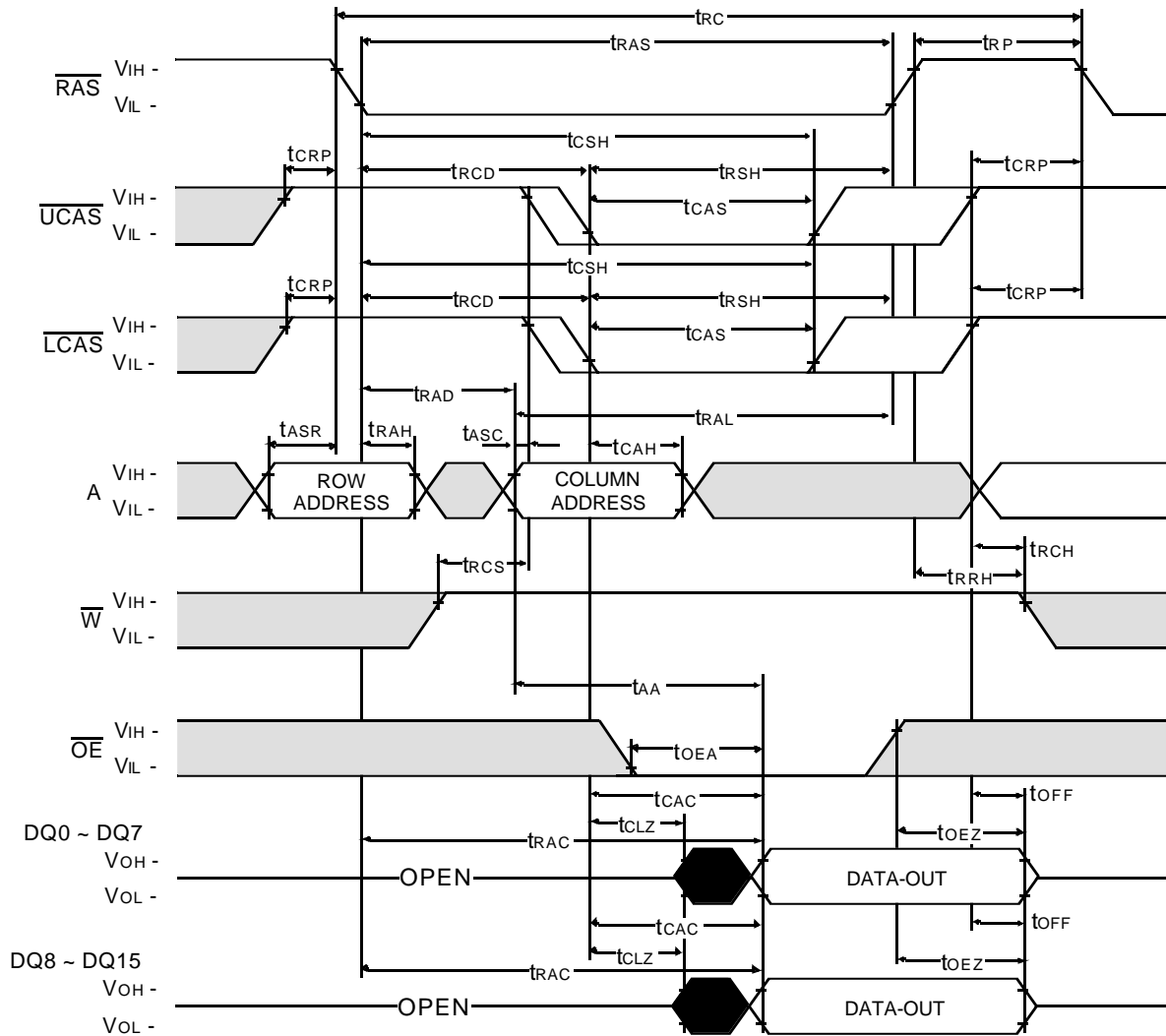
20. If  $t_{RAS} \geq 100\mu s$ , then  $\overline{RAS}$  precharge time must use  $t_{RPS}$  instead of  $t_{RP}$ .
21. For  $\overline{RAS}$ -only-Refresh and Burst  $\overline{CAS}$ -before- $\overline{RAS}$  refresh mode, 4096 cycles(4K/8K) of burst refresh must be executed within 64ms before and after self refresh, in order to meet refresh specification.
22. For distributed  $\overline{CAS}$ -before- $\overline{RAS}$  with 15.6 $\mu s$  interval, CBR refresh should be executed with in 15.6 $\mu s$  immediately before and after self refresh in order to meet refresh specification.

# Industrial Temperature

## K4F661612E, K4F641612E

## CMOS DRAM

### WORD READ CYCLE



Don't care  
Undefined

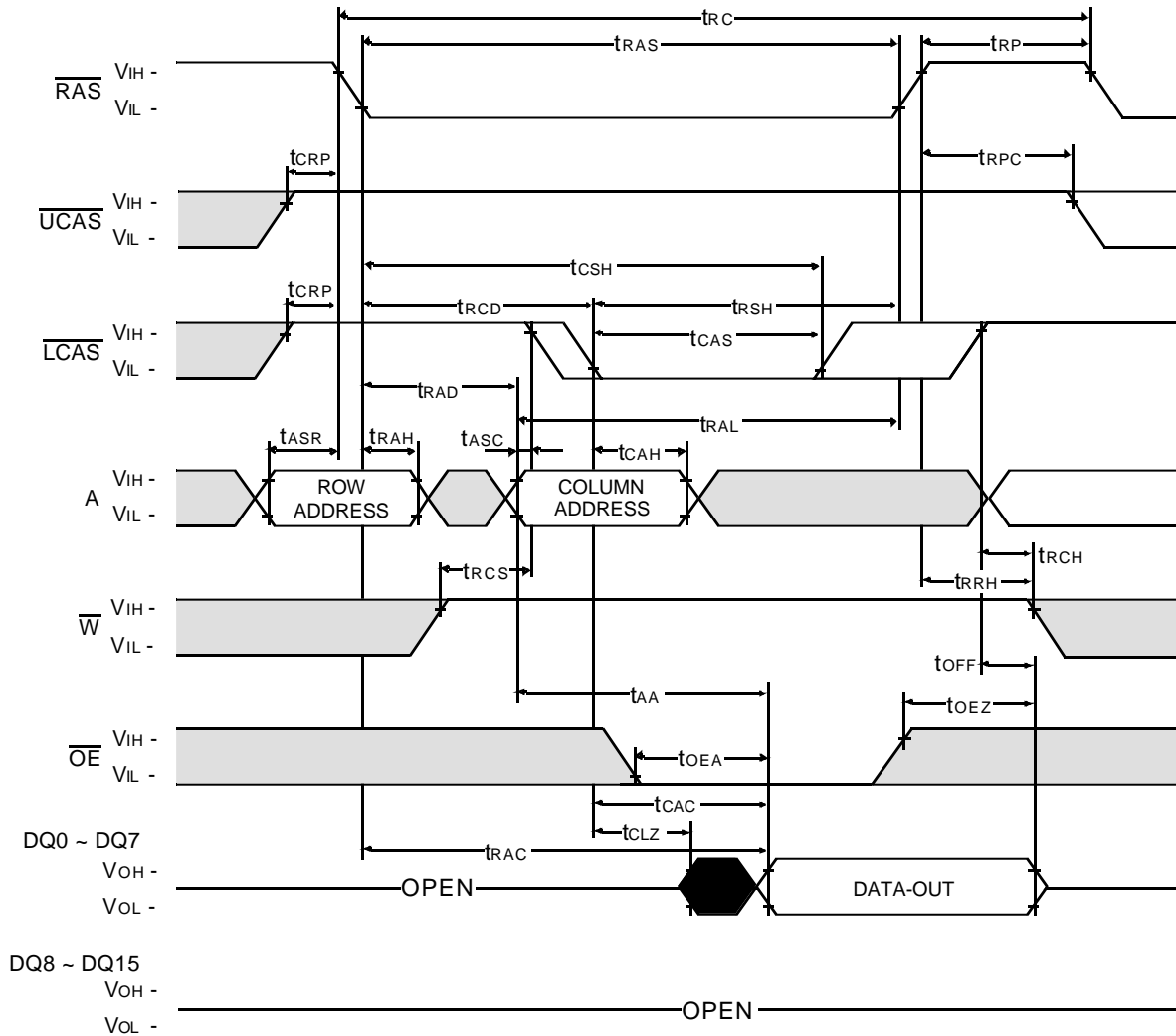
# Industrial Temperature

## K4F661612E, K4F641612E

## CMOS DRAM

### LOWER BYTE READ CYCLE

NOTE : DIN = OPEN



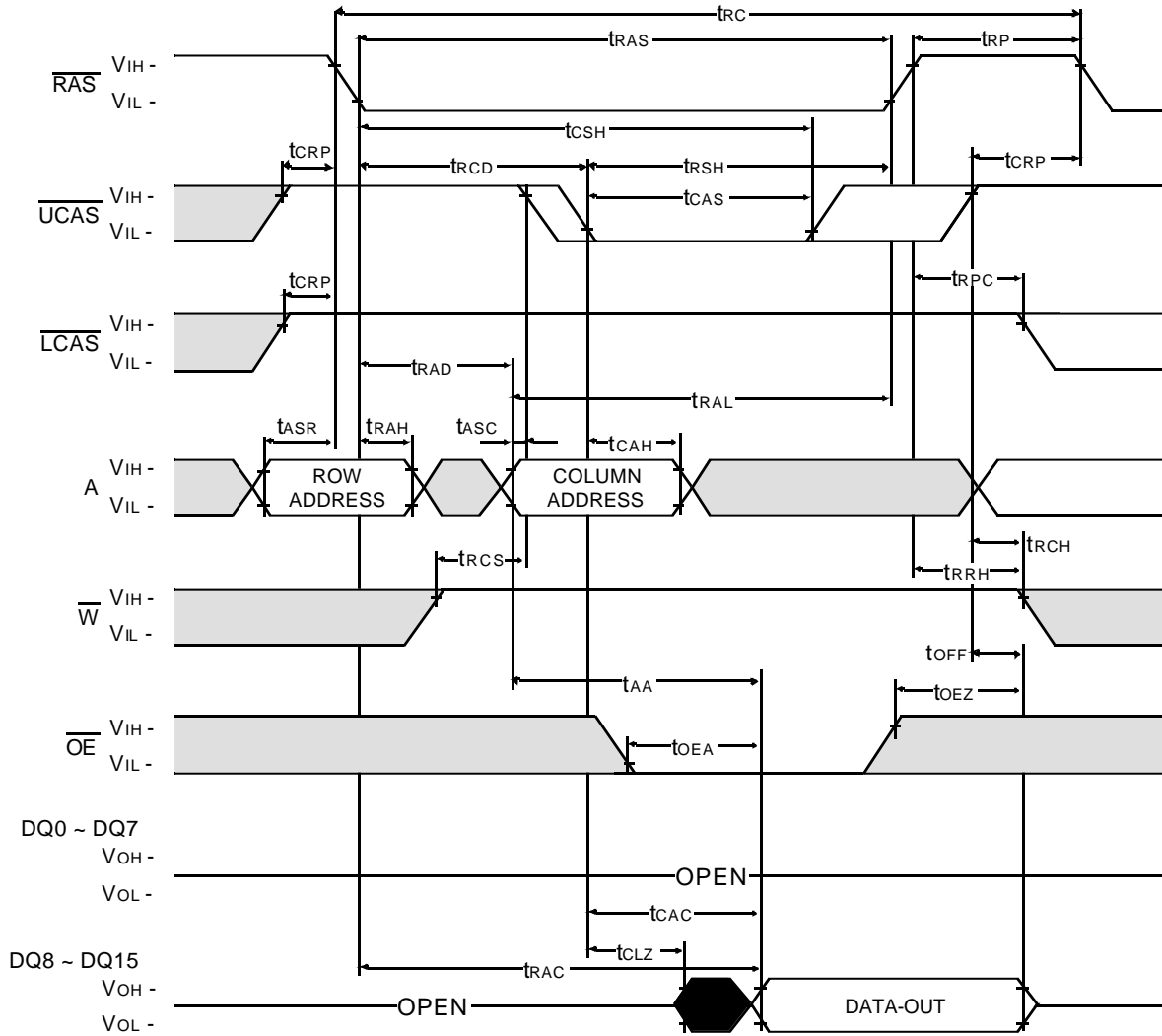
**Industrial Temperature**

**K4F661612E, K4F641612E**

**CMOS DRAM**

**UPPER BYTE READ CYCLE**

NOTE : DIN = OPEN



Don't care  
Undefined

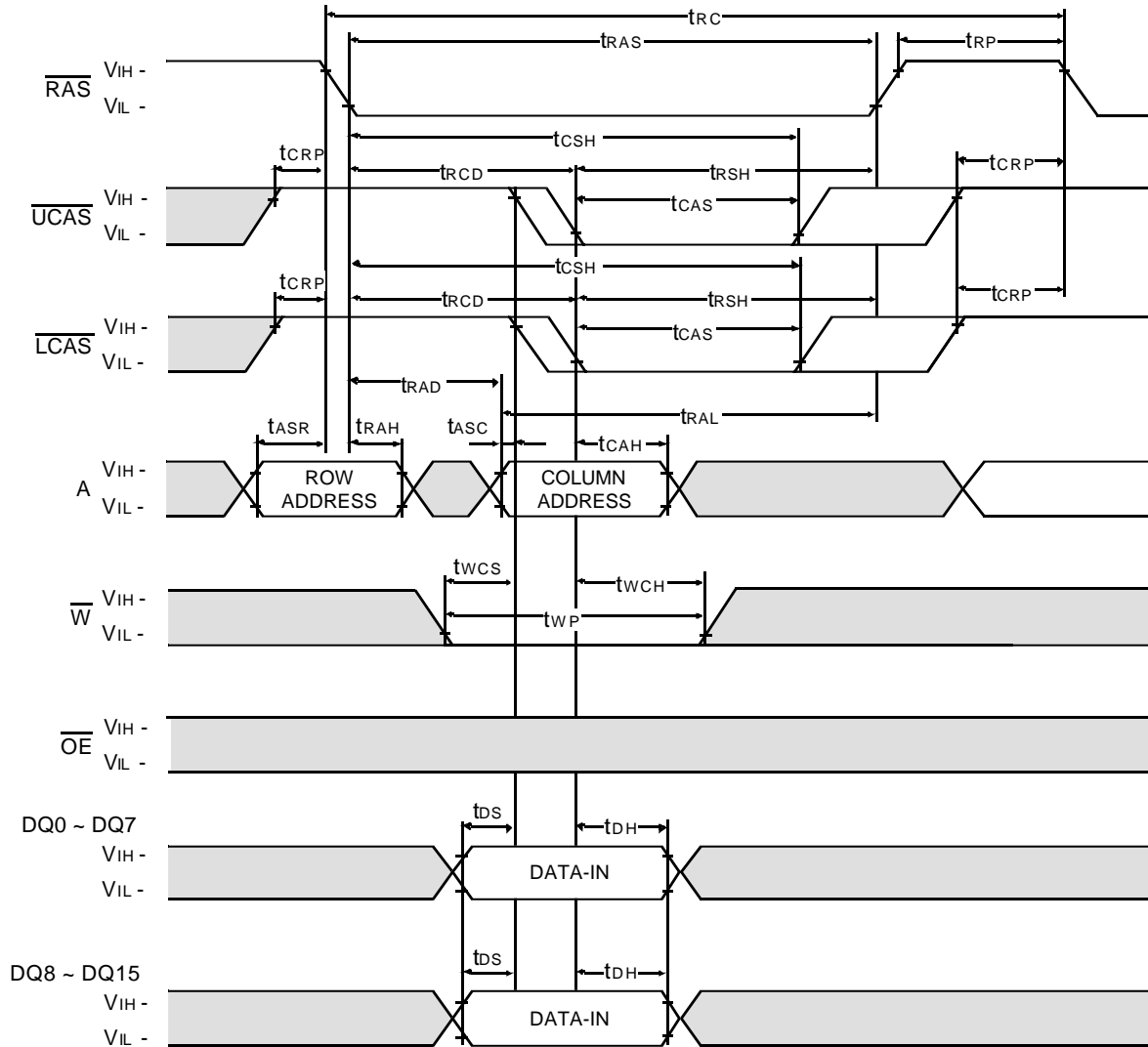
# Industrial Temperature

**K4F661612E, K4F641612E**

**CMOS DRAM**

## WORD WRITE CYCLE ( EARLY WRITE )

NOTE : DOUT = OPEN



Don't care  
 Undefined



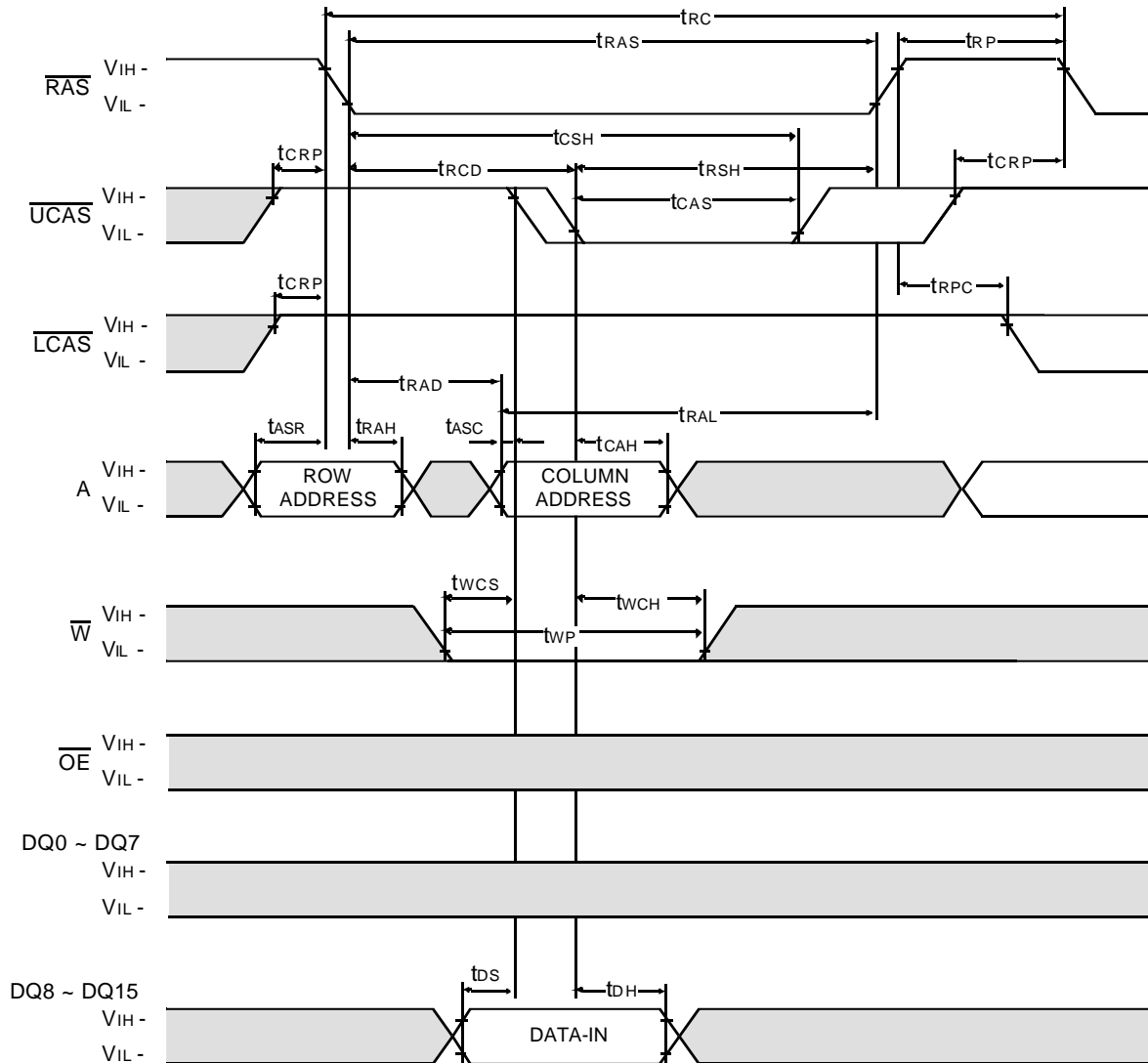
# Industrial Temperature

**K4F661612E, K4F641612E**

**CMOS DRAM**

## UPPER BYTE WRITE CYCLE ( EARLY WRITE )

NOTE : DOUT = OPEN



Don't care  
 Undefined

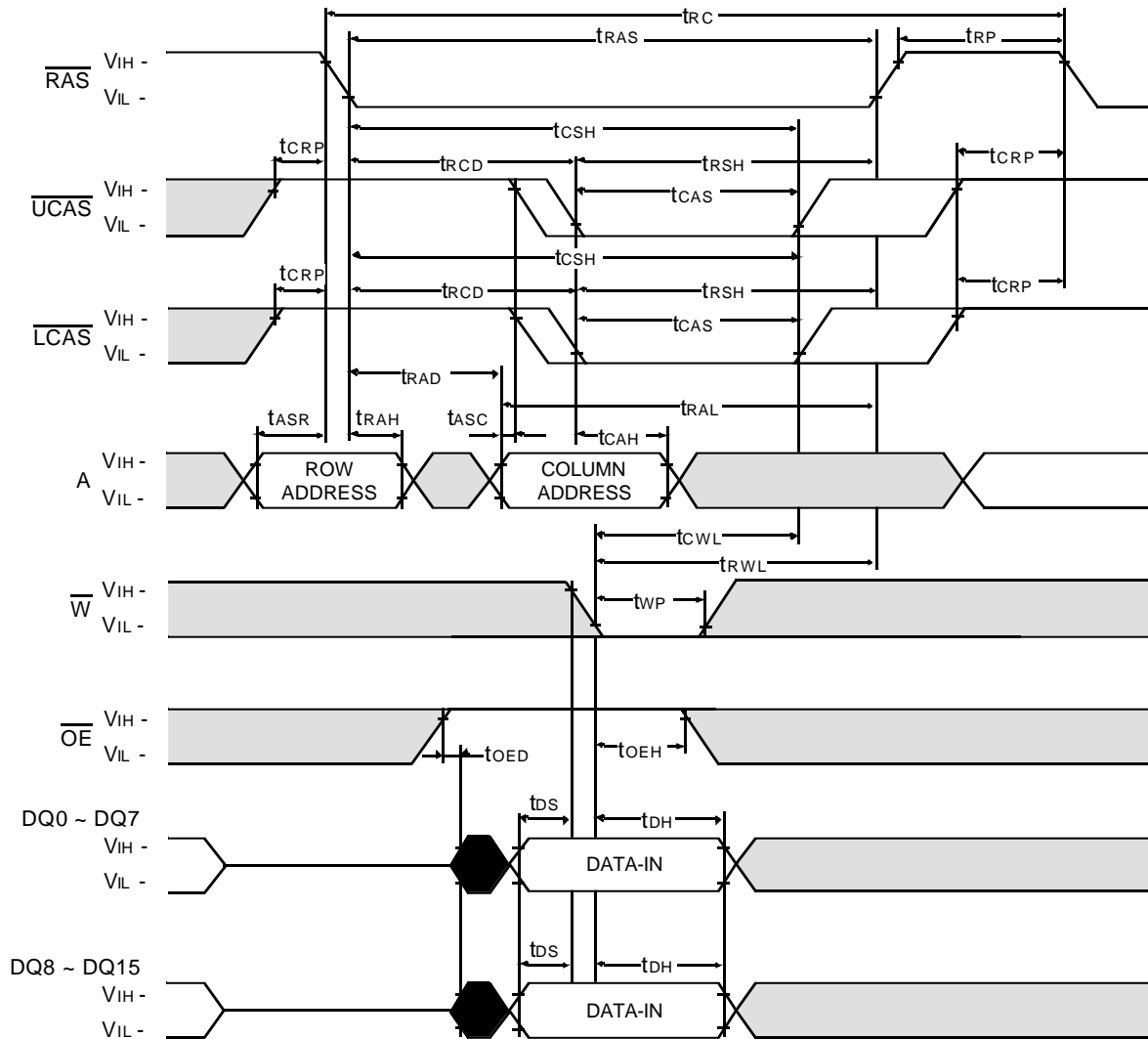
# Industrial Temperature

## K4F661612E, K4F641612E

## CMOS DRAM

### WORD WRITE CYCLE ( $\overline{OE}$ CONTROLLED WRITE )

NOTE : DOUT = OPEN





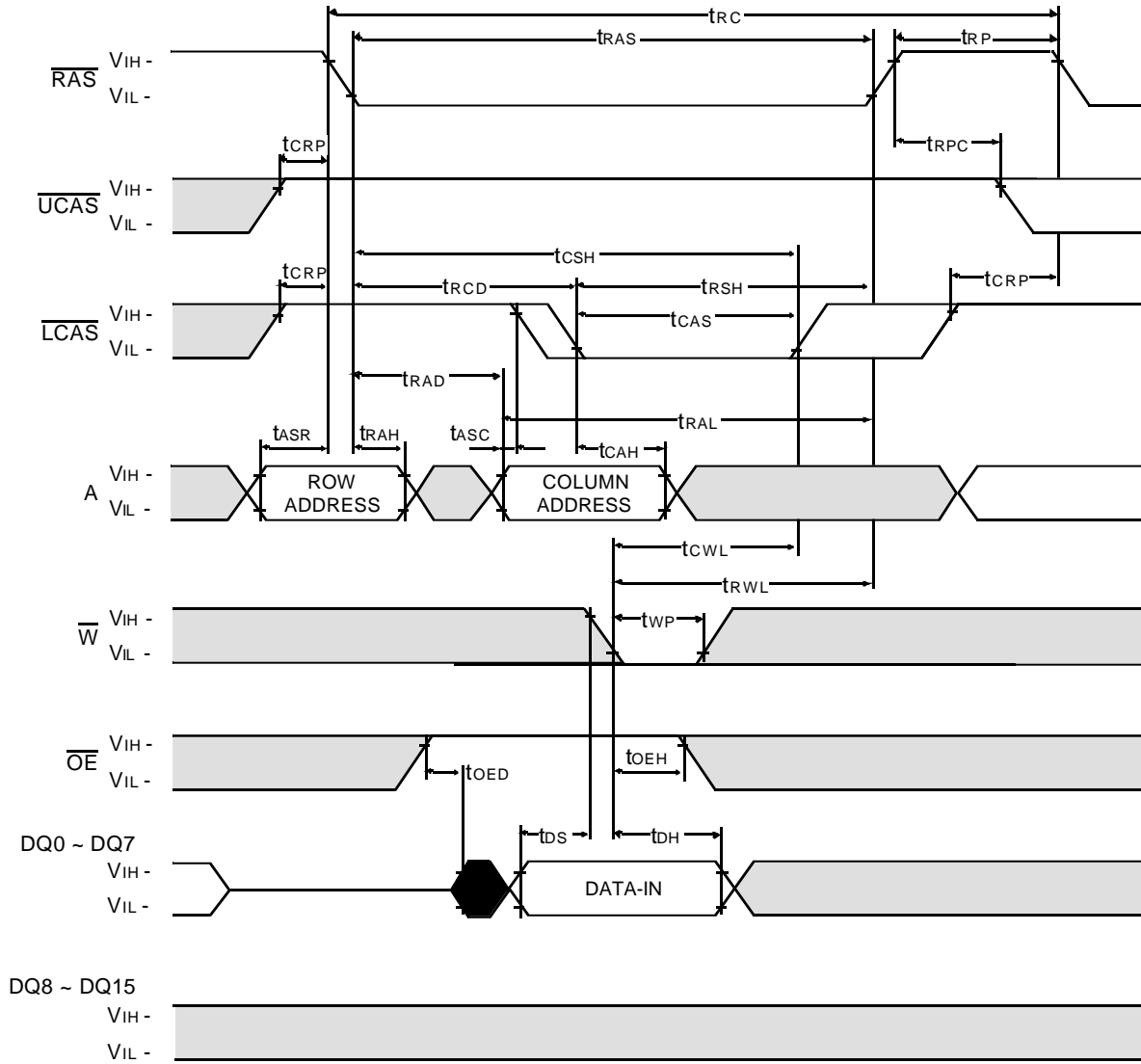
# Industrial Temperature

## K4F661612E, K4F641612E

## CMOS DRAM

### LOWER BYTE WRITE CYCLE ( $\overline{OE}$ CONTROLLED WRITE )

NOTE : DOUT = OPEN



□ Don't care  
■ Undefined

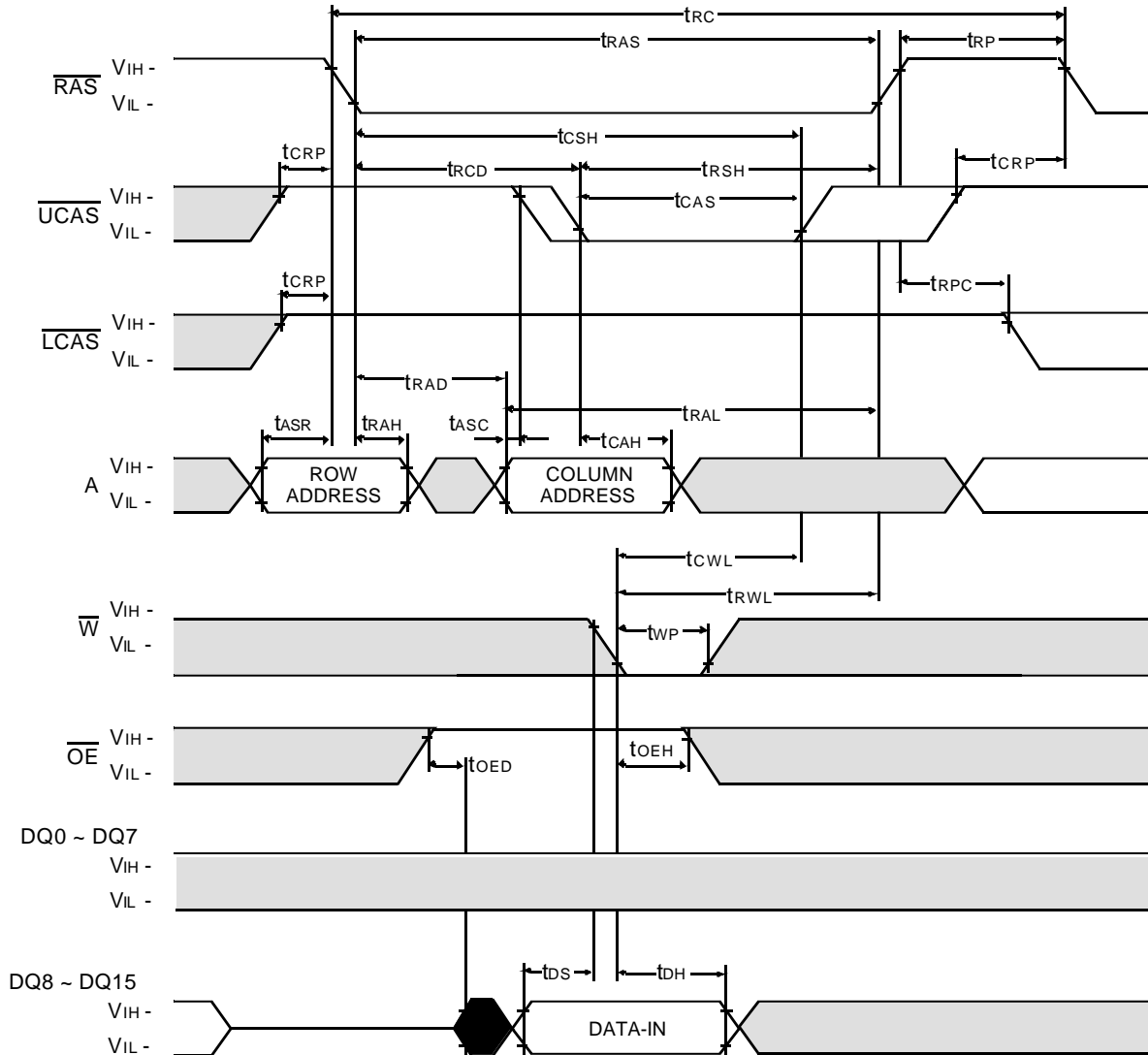
# Industrial Temperature

K4F661612E, K4F641612E

CMOS DRAM

## UPPER BYTE WRITE CYCLE ( $\overline{OE}$ CONTROLLED WRITE )

NOTE : DOUT = OPEN



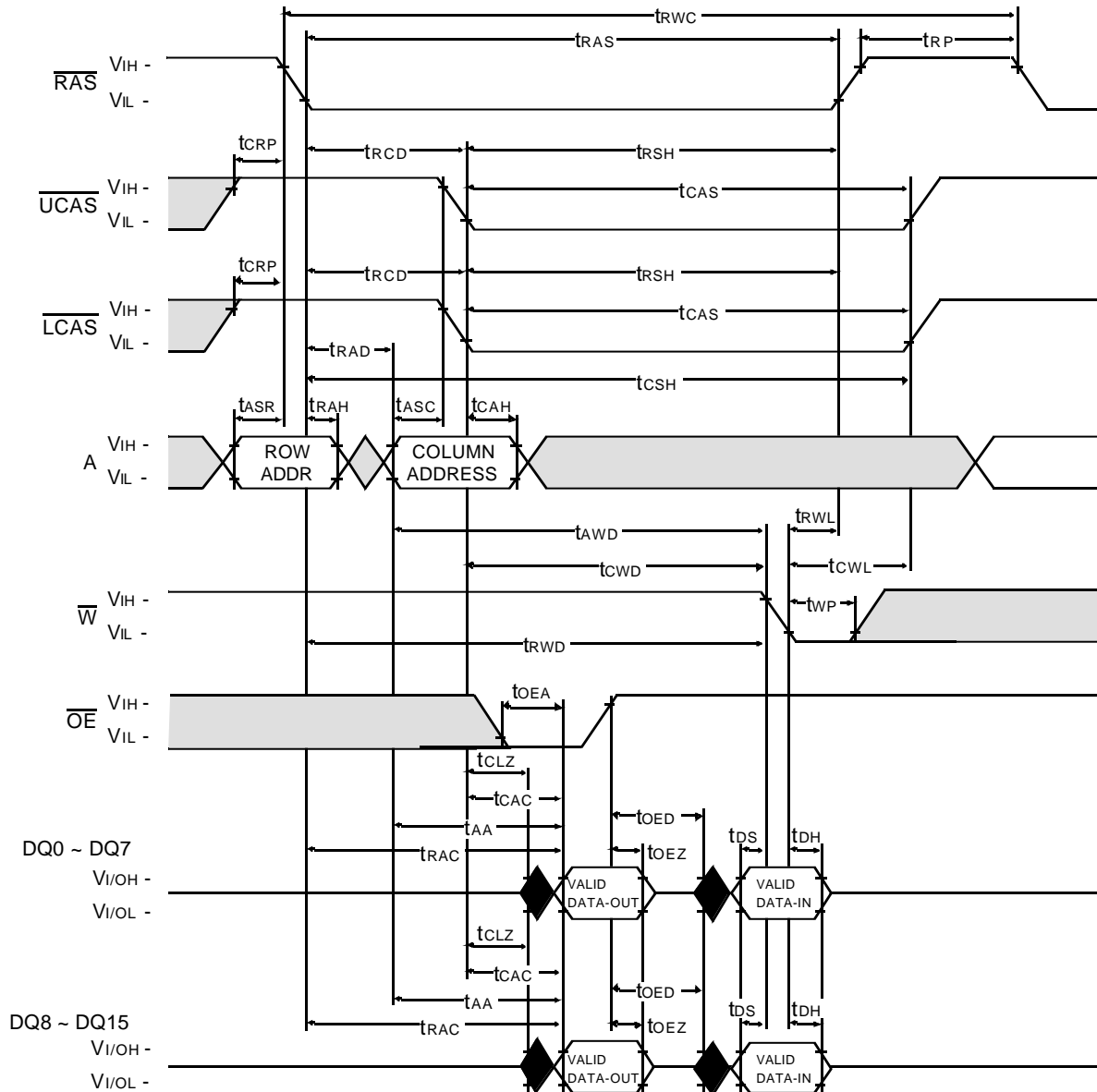
□ Don't care  
■ Undefined

# Industrial Temperature

## K4F661612E, K4F641612E

## CMOS DRAM

### WORD READ - MODIFY - WRITE CYCLE



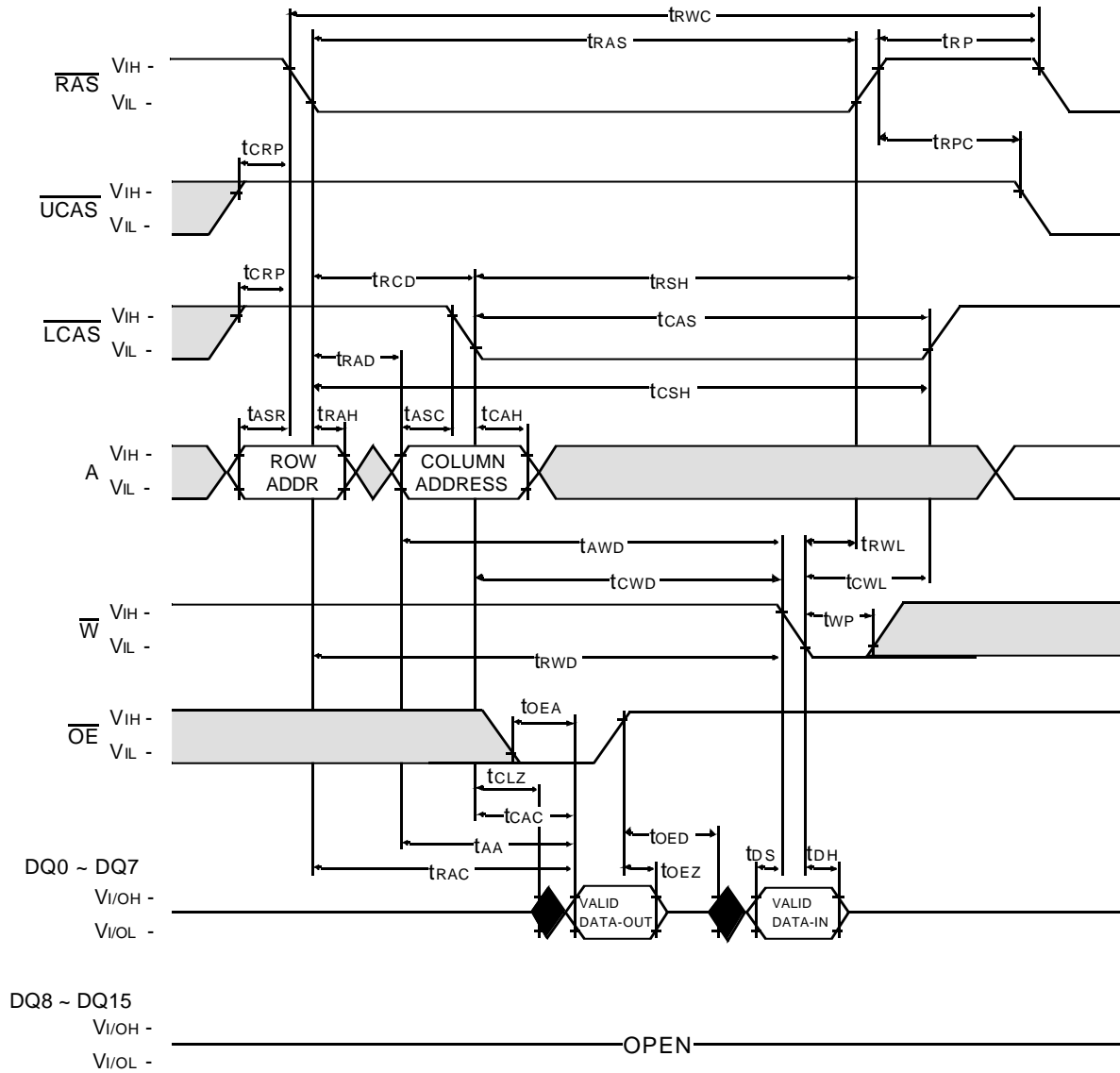
Don't care  
Undefined

# Industrial Temperature

## K4F661612E, K4F641612E

## CMOS DRAM

### LOWER-BYTE READ - MODIFY - WRITE CYCLE



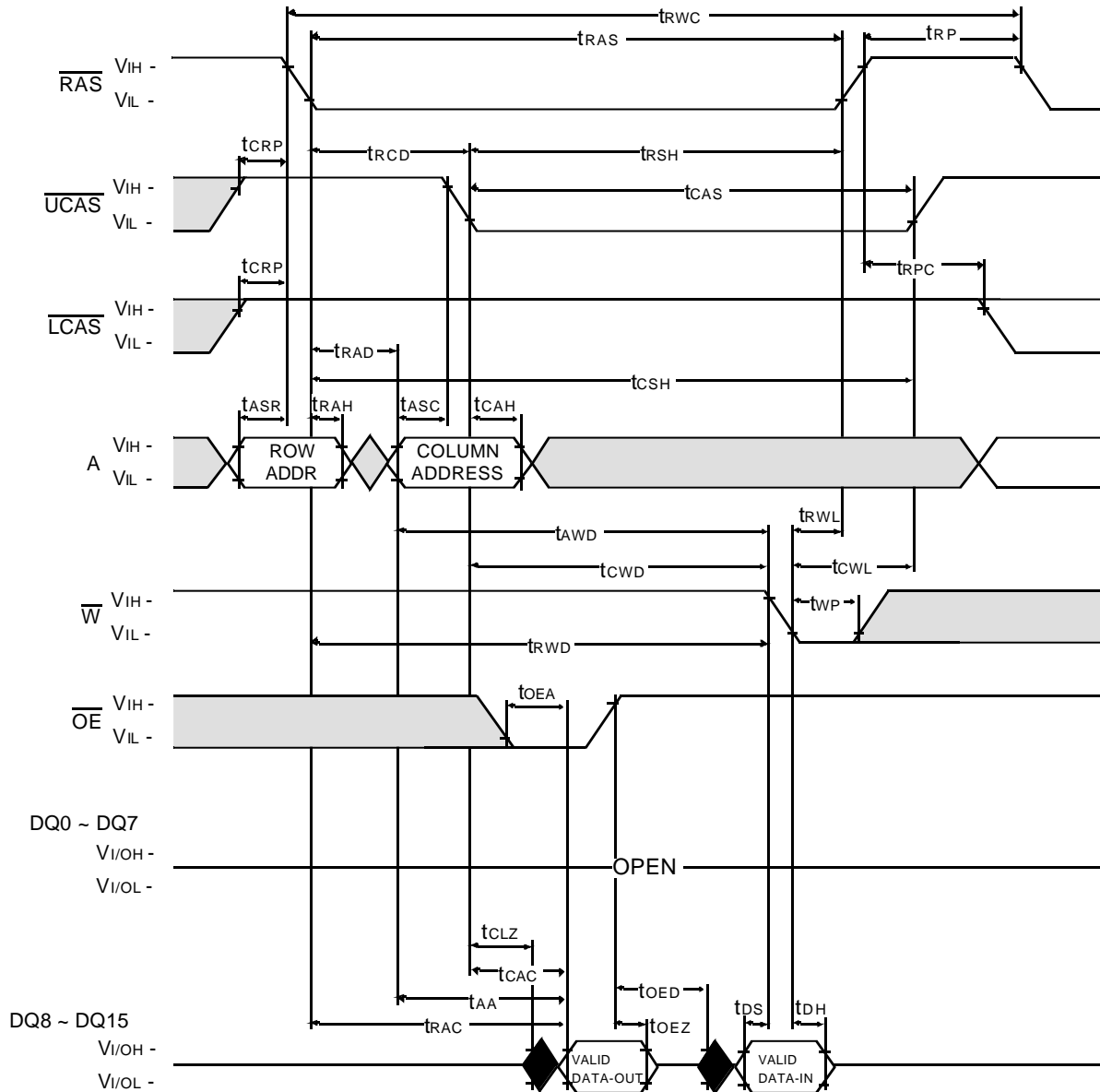
□ Don't care  
■ Undefined

# Industrial Temperature

## K4F661612E, K4F641612E

## CMOS DRAM

### UPPER-BYTE READ - MODIFY - WRITE CYCLE



■ Don't care  
■ Undefined



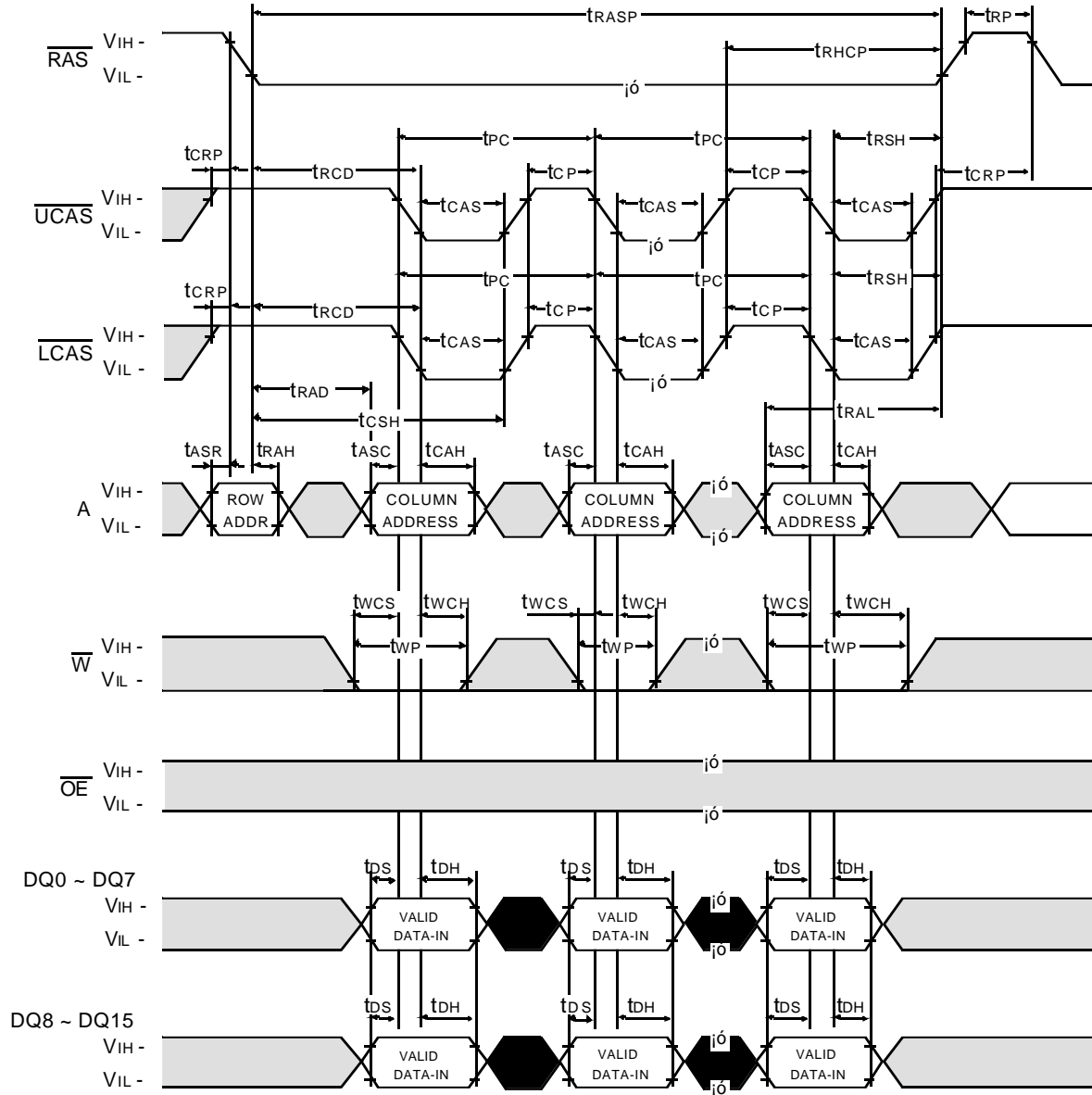






FAST PAGE MODE WORD WRITE CYCLE ( EARLY WRITE )

NOTE : DOUT = OPEN



Don't care  
 Undefined

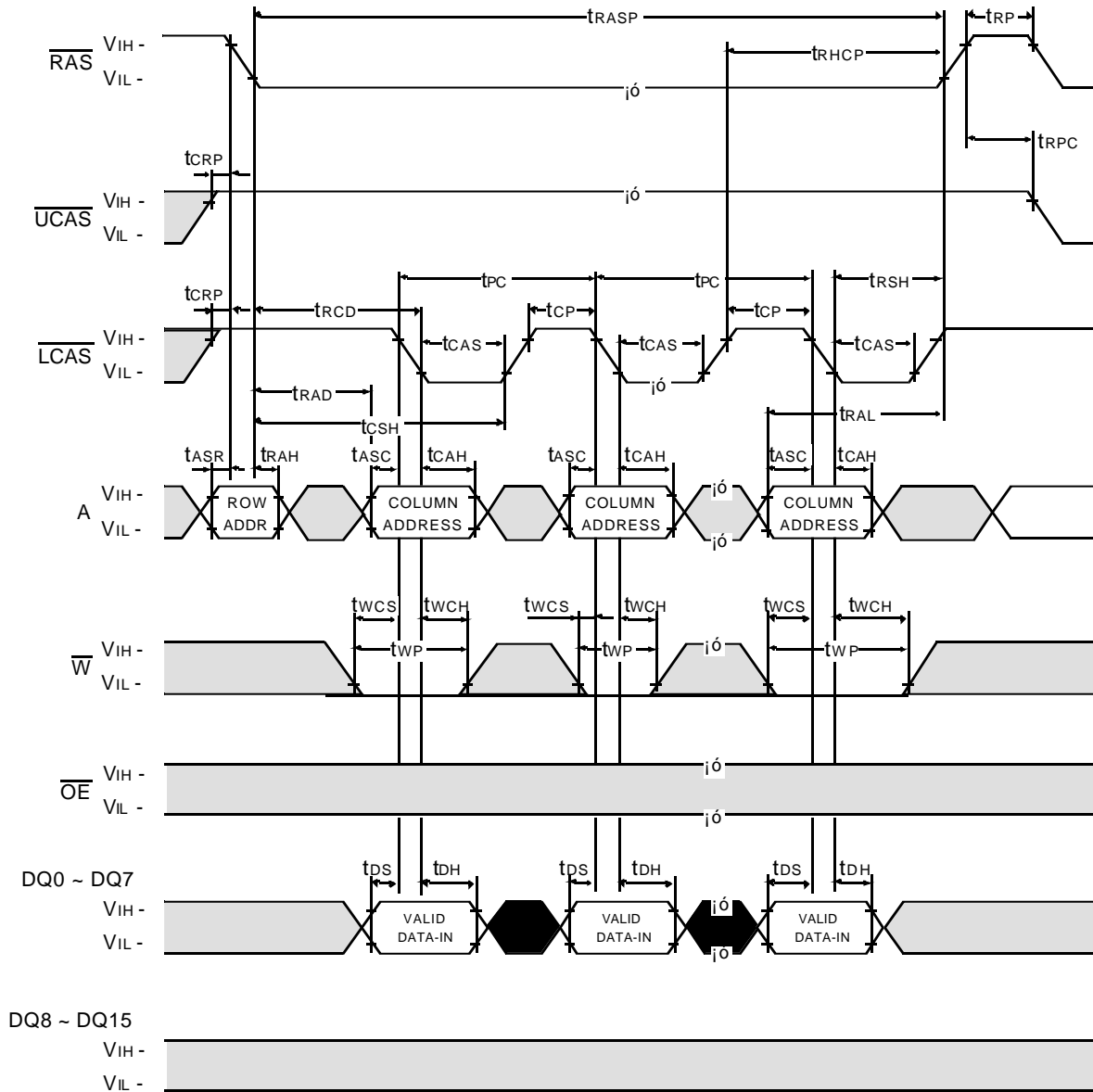
# Industrial Temperature

**K4F661612E, K4F641612E**

**CMOS DRAM**

## FAST PAGE MODE LOWER BYTE WRITE CYCLE ( EARLY WRITE )

NOTE : DOUT = OPEN



Don't care  
 Undefined

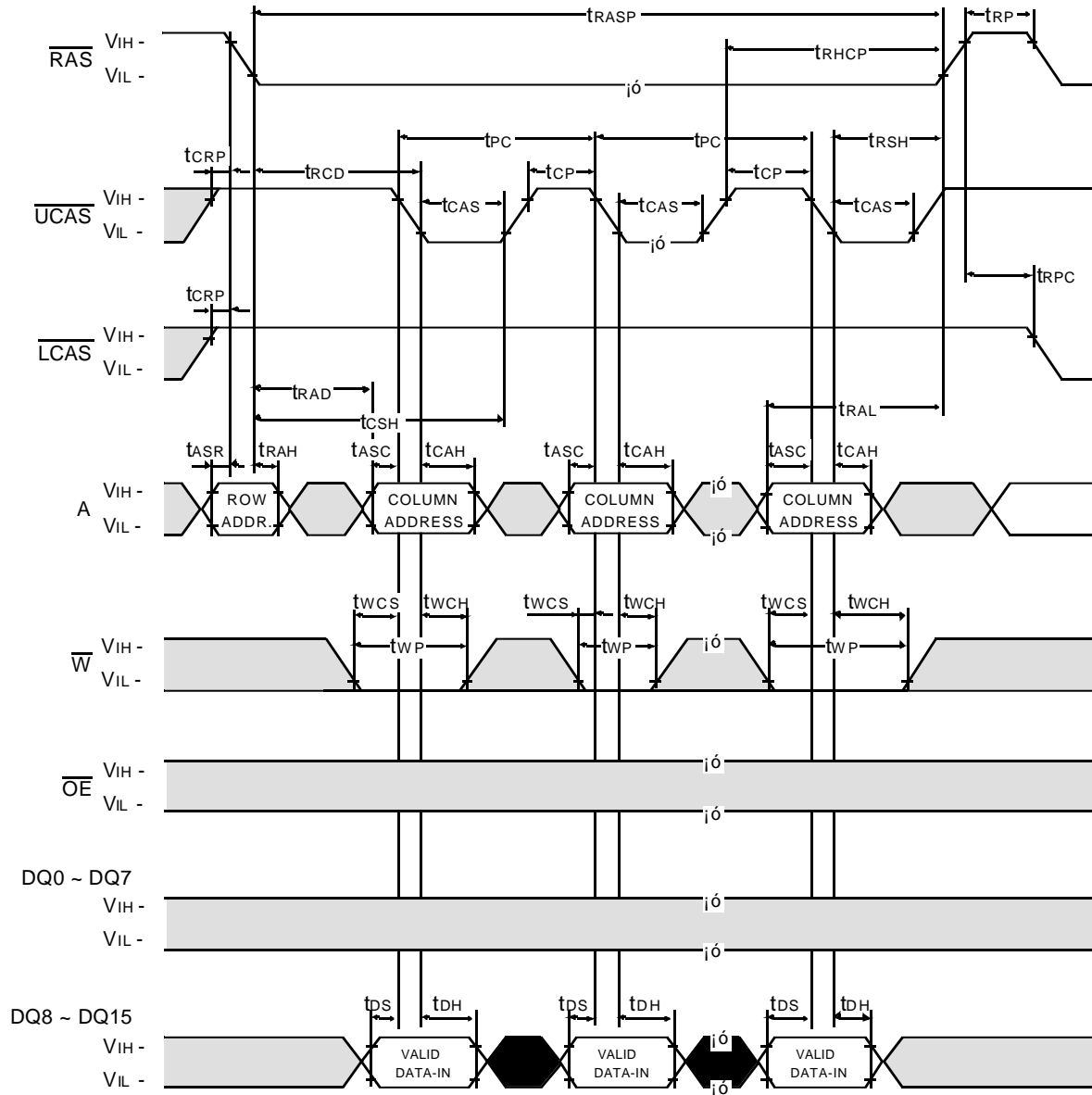
# Industrial Temperature

**K4F661612E, K4F641612E**

**CMOS DRAM**

## FAST PAGE MODE UPPER BYTE WRITE CYCLE ( EARLY WRITE )

NOTE : DOUT = OPEN



Don't care  
 Undefined

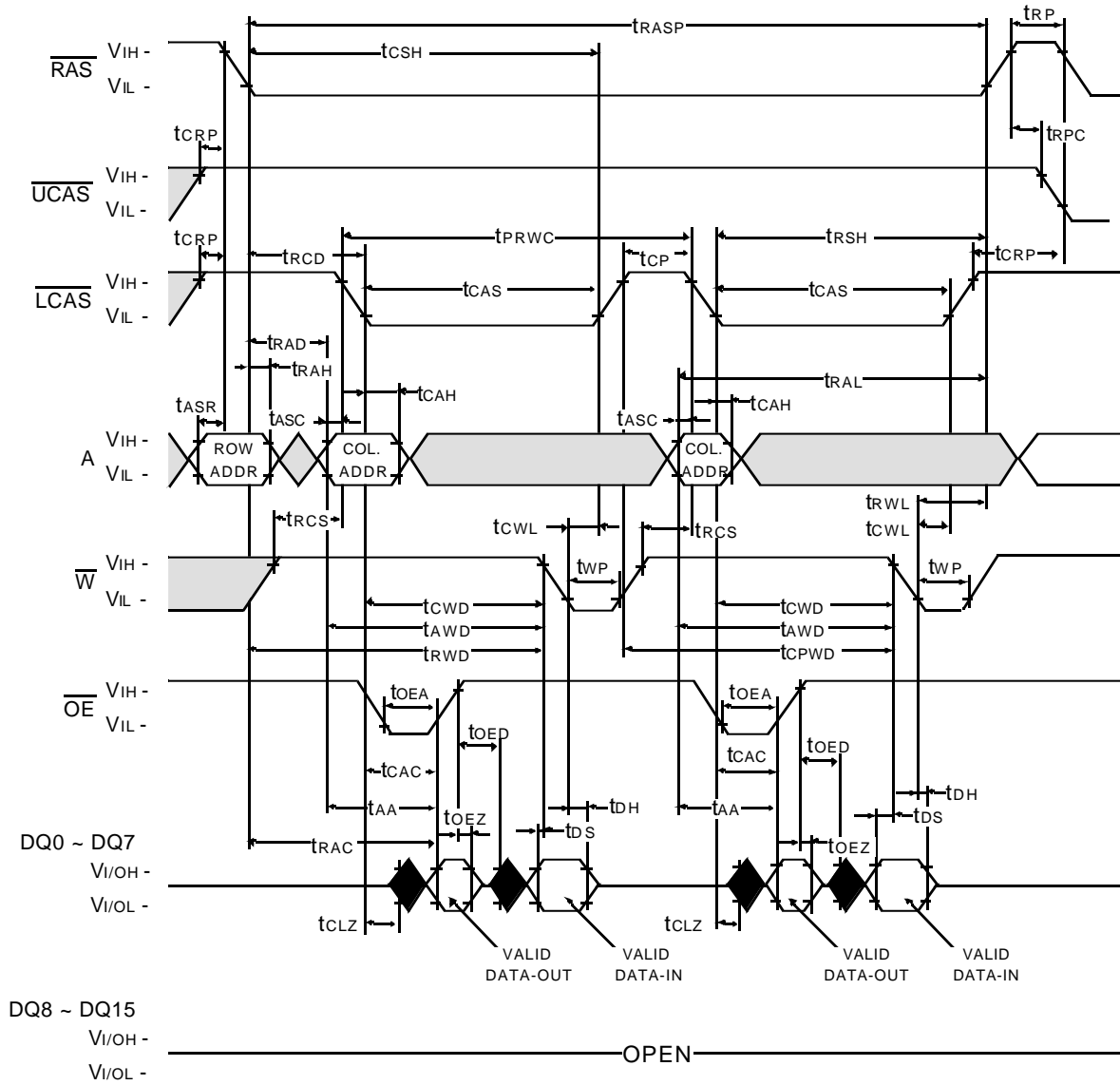


# Industrial Temperature

**K4F661612E, K4F641612E**

**CMOS DRAM**

## FAST PAGE MODE LOWER BYTE READ - MODIFY - WRITE CYCLE

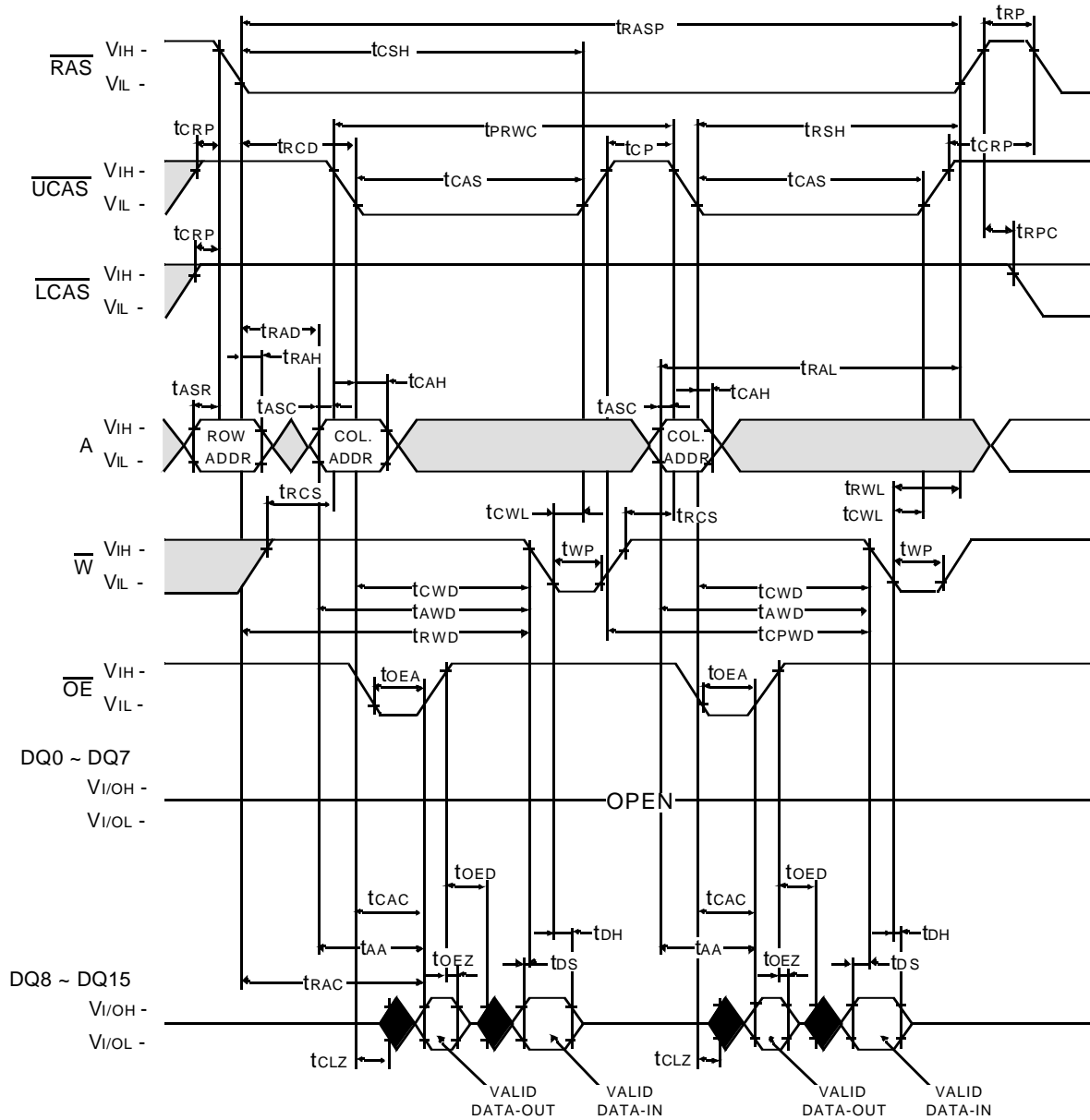


# Industrial Temperature

K4F661612E, K4F641612E

CMOS DRAM

## FAST PAGE MODE UPPER BYTE READ - MODIFY - WRITE CYCLE



□ Don't care  
■ Undefined

# Industrial Temperature

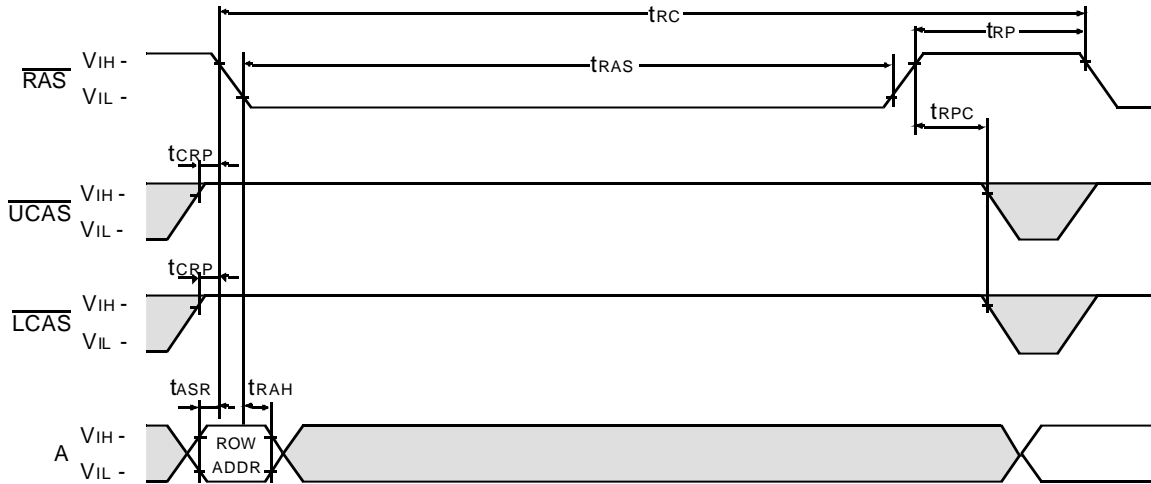
## K4F661612E, K4F641612E

## CMOS DRAM

### $\overline{\text{RAS}}$ - ONLY REFRESH CYCLE

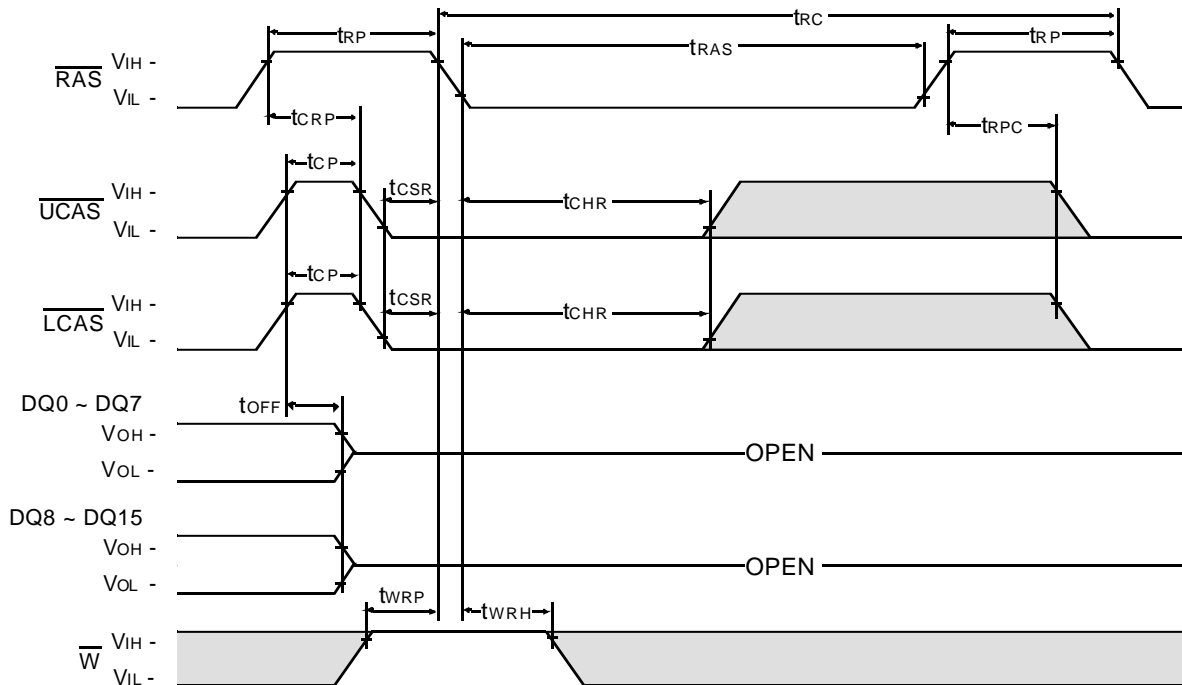
NOTE :  $\overline{\text{W}}$ ,  $\overline{\text{OE}}$ , DIN = Don't care

DOUT = OPEN



### $\overline{\text{CAS}}$ - BEFORE - $\overline{\text{RAS}}$ REFRESH CYCLE

NOTE :  $\overline{\text{OE}}$ , A = Don't care



Don't care

Undefined





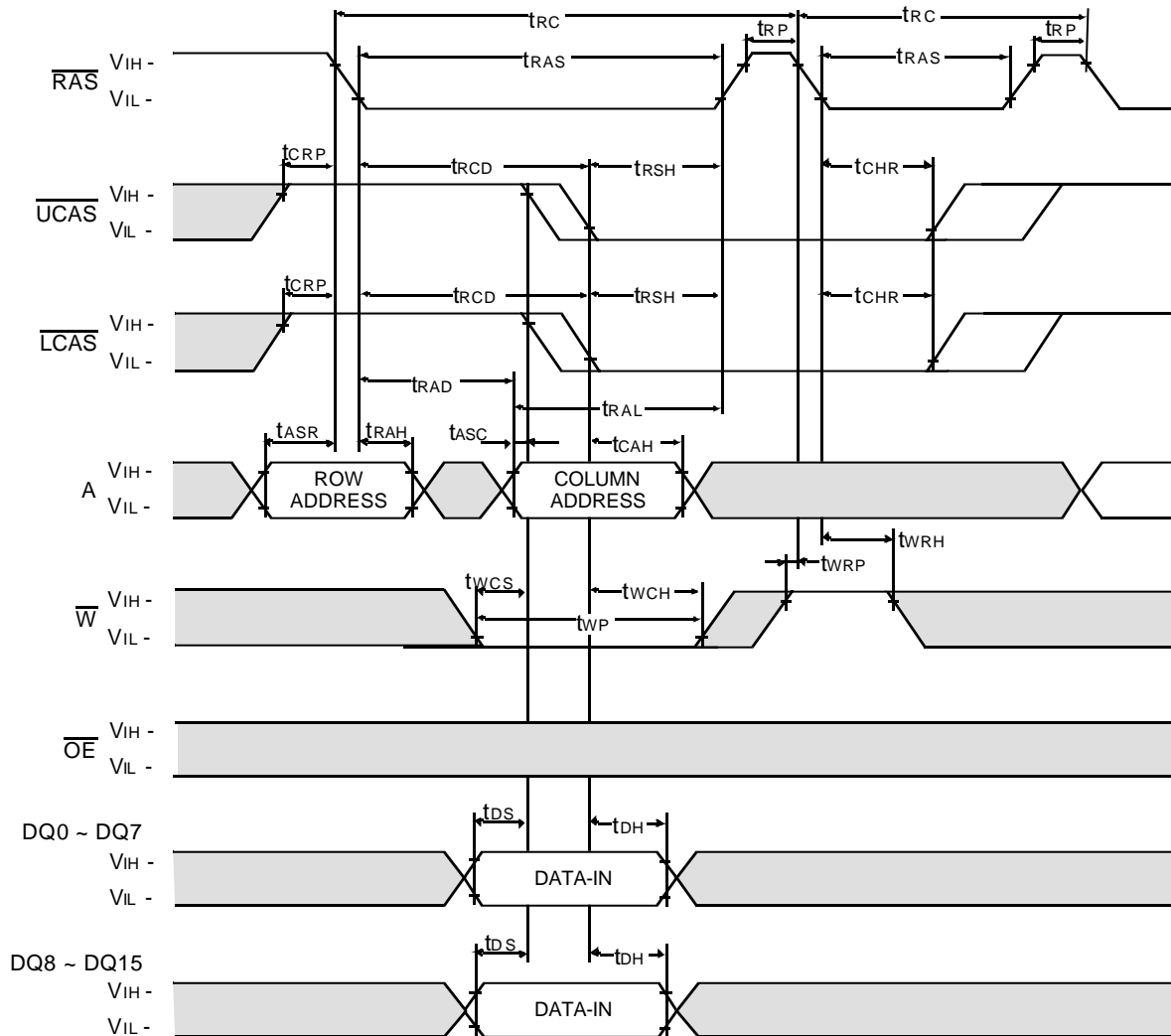
# Industrial Temperature

## K4F661612E, K4F641612E

## CMOS DRAM

### HIDDEN REFRESH CYCLE ( WRITE )

NOTE : DOUT = OPEN



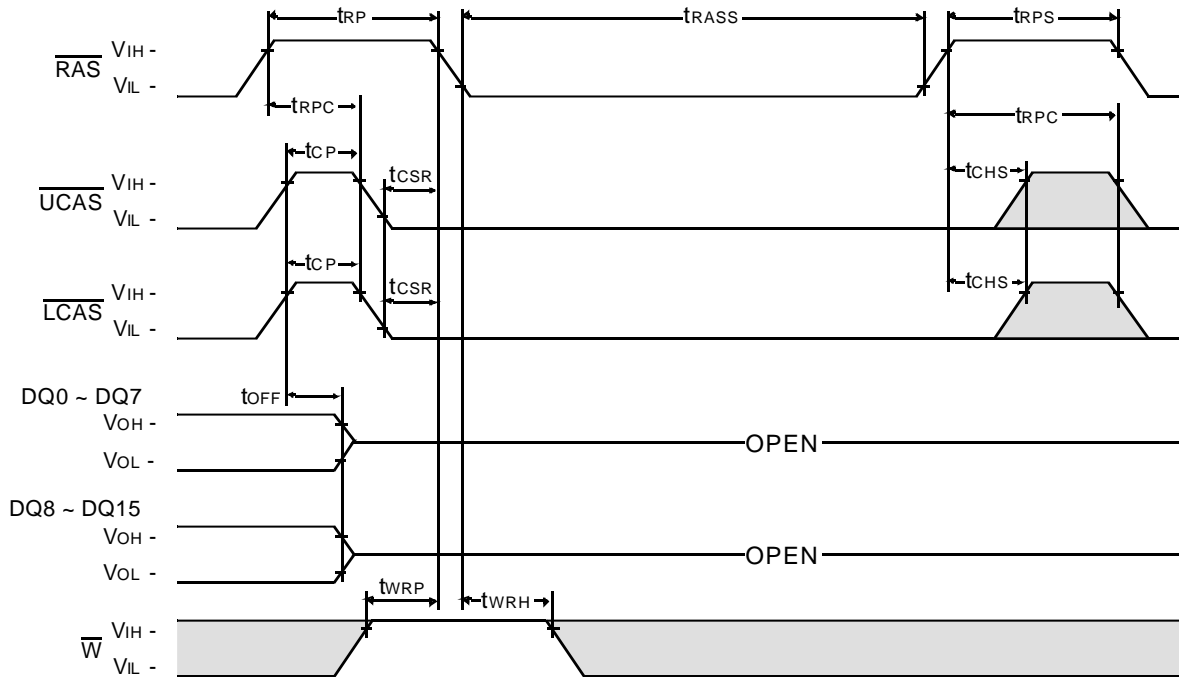
# Industrial Temperature

**K4F661612E, K4F641612E**

**CMOS DRAM**

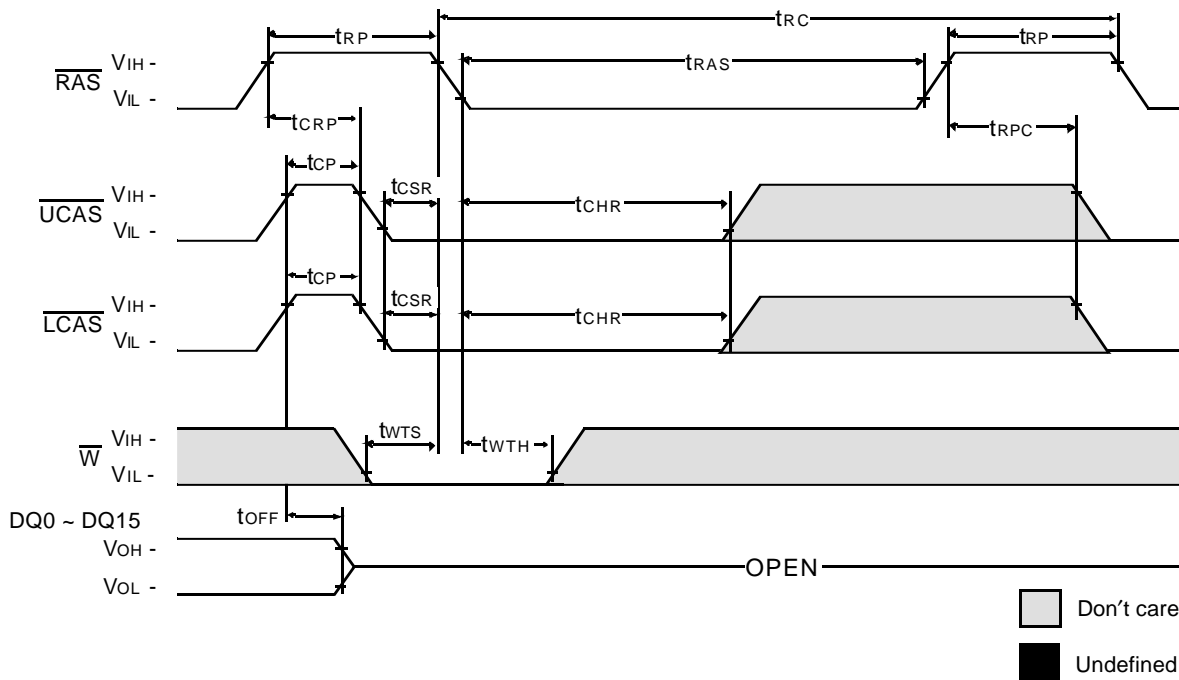
## CAS - BEFORE - RAS SELF REFRESH CYCLE

NOTE :  $\overline{OE}$ , A = Don't care



## TEST MODE IN CYCLE

NOTE :  $\overline{OE}$ , A = Don't care



Don't care  
 Undefined

# Industrial Temperature

## K4F661612E, K4F641612E

## CMOS DRAM

### PACKAGE DIMENSION

