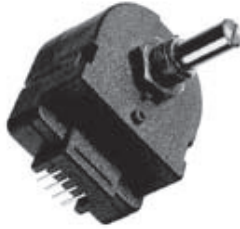


Full 360° Smart Sensor (Hall Effect Technology)



FEATURES

- Absolute ratiometric output over 360° range with no dead band
- Self-contained package not requiring external electronic interface
- Contactless technology
- Reverse polarity protection
- Non volatile positioning output



The model 601-HE represents a new generation of Smart Sensors in contactless technology based on the Hall effect principle. This unique electronic device is a self-contained package which provides an analog electrical output over a full 360° without the need of external electronics. The low power consumption and non-volatile output makes this universal sensor the real cost-effective alternative to encoders.

STANDARD ELECTRICAL SPECIFICATIONS	
PARAMETER	
Supply	4.5 to 5.5 V _{DC}
Supply Current	10 mA maximum
Over Voltage Protection	10 V
Independent Linearity	± 1 %; ± 0.5 %
Electrical Track	360° continuous
Analog Voltage Output	Not less than 90 % of supply (ratiometric) CW or CCW see graphs on next page
Output Ramp Slope	Electrically switchable - see graphs
Temperature Coefficient	60 μV/°C
Hysteresis	< 0.2 %

MECHANICAL SPECIFICATIONS	
Rotation	360° continuous
Rotational Speed (Max.)	120 RPM
Operating Torque Max.	0.25 oz. - in (18 g - cm)
Weight	30 g

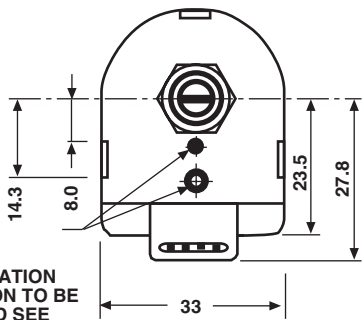
ENVIRONMENTAL SPECIFICATIONS	
Operating Life	5 000 000 Cycles
Operating Temperature Range	- 45 °C + 125 °C
Storage Temperature Range	- 45 °C to + 125 °C
Sealing	IP54

ORDERING INFORMATION/DESCRIPTION						
MODEL	OUTPUT SIGNAL DIRECTION	CONFIGURATION CODE		LINEARITY	PACKAGING	LEAD FINISH
601 HE	1	000		A	BO1	e4
	1: CW 2: CCW	PRODUCT NUMBER	Ø 1.57 PIN	Ø 3.18 PIN	Box of 1 piece	
		000	Yes	Yes		
		001	Yes	-		
		002	-	Yes		
		003	-	-		
				A: ± 1 % B: ± 0.5 %		

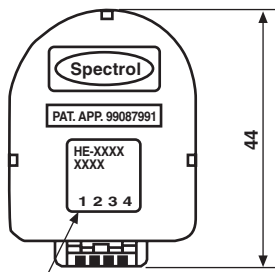
SAP PART NUMBERING GUIDELINES				
MODEL	OUTPUT SIGNAL	PIN CONFIGURATION	LINEARITY	PACKAGING
601 HE	2	001	B	B01
	2: CCW		B: ± 0.5 %	



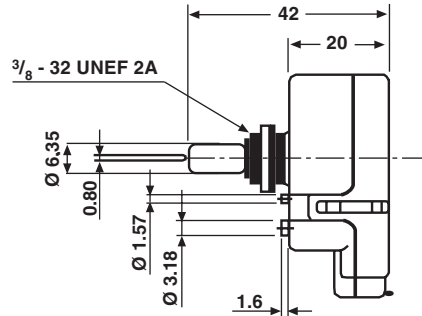
DIMENSIONS in millimeters



ANTI-ROTATION
PIN OPTION TO BE
SPECIFIED SEE
ORDERING
INFORMATION

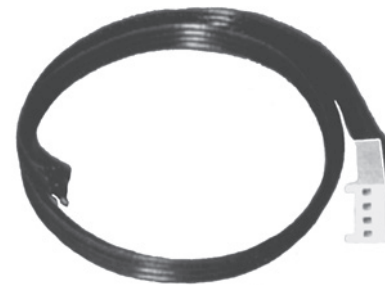


PRODUCT NO. DATE
CODE AND TERMINAL
I.D. LABEL

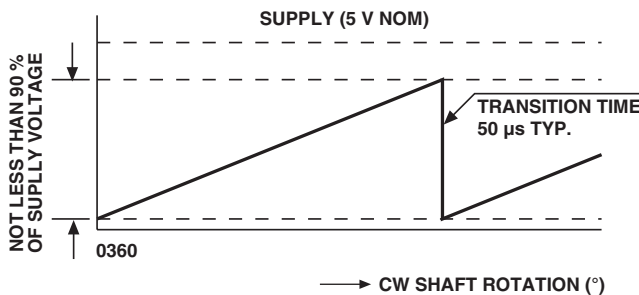


PIN CONNECTIONS		FUNCTION
1	+ 5 V	Supply
2	0 V	
3	Output	O/P voltage
4	Direction	Ramp polarity

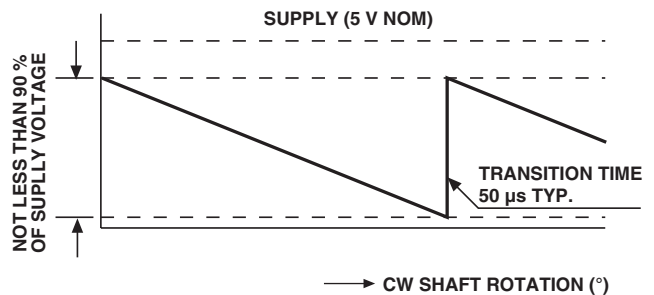
MATERIAL SPECIFICATIONS	
Housing	Plastic
Bushing	Brass, nickel plated
Shaft	Stainless steel
Pin terminal connector	Gold plated
Output connection	Pin header to suit IDC connectors. e.g. Panduit C100 - F22 and Molex 7880
Bushing Mount Hardware Lock Washer, Internal Tooth	Steel, nickel plated
Panel Nut	Brass, nickel plated



CABLE ASSEMBLY FOR CONNECTION	
Part Number	601-1056-0000
Description	Molex KK
	4-way crimp connector
	4 wire (250 mm)



MODEL: 601 HE 1xxx



MODEL: 601 HE 2xxx



Notice

Specifications of the products displayed herein are subject to change without notice. Vishay Intertechnology, Inc., or anyone on its behalf, assumes no responsibility or liability for any errors or inaccuracies.

Information contained herein is intended to provide a product description only. No license, express or implied, by estoppel or otherwise, to any intellectual property rights is granted by this document. Except as provided in Vishay's terms and conditions of sale for such products, Vishay assumes no liability whatsoever, and disclaims any express or implied warranty, relating to sale and/or use of Vishay products including liability or warranties relating to fitness for a particular purpose, merchantability, or infringement of any patent, copyright, or other intellectual property right.

The products shown herein are not designed for use in medical, life-saving, or life-sustaining applications. Customers using or selling these products for use in such applications do so at their own risk and agree to fully indemnify Vishay for any damages resulting from such improper use or sale.