

FEATURES AND SPECIFICATIONS

Features and Benefits

- Sizes 2 to 20 circuits

Reference Information

Packaging: Bag
 Mates With: [5102](#) and [7534](#)
 Designed In: Millimeters

Electrical

Voltage: 250V
 Current: 5.0A
 Contact Resistance: 20mΩ max.
 Dielectric Withstanding Voltage: 1500V
 Insulation Resistance: 500K MΩ min.

Mechanical

Contact Retention to Housing: 2 lb min.
 Mating Force: 9 oz max.
 Unmating Force: 3 oz min.
 Durability: 25 cycles

Physical

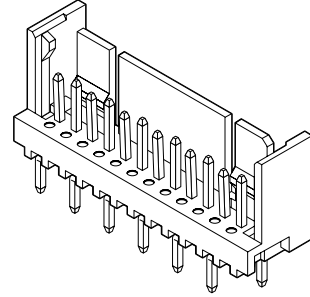
Housing: White polyester, UL 94V-0
 Contact: Brass
 Plating: Preplated electro-Tin over Copper
 PC Board Thickness: 1.50mm (.060")

molex® 2.50mm (.098") Pitch
KK®

Header

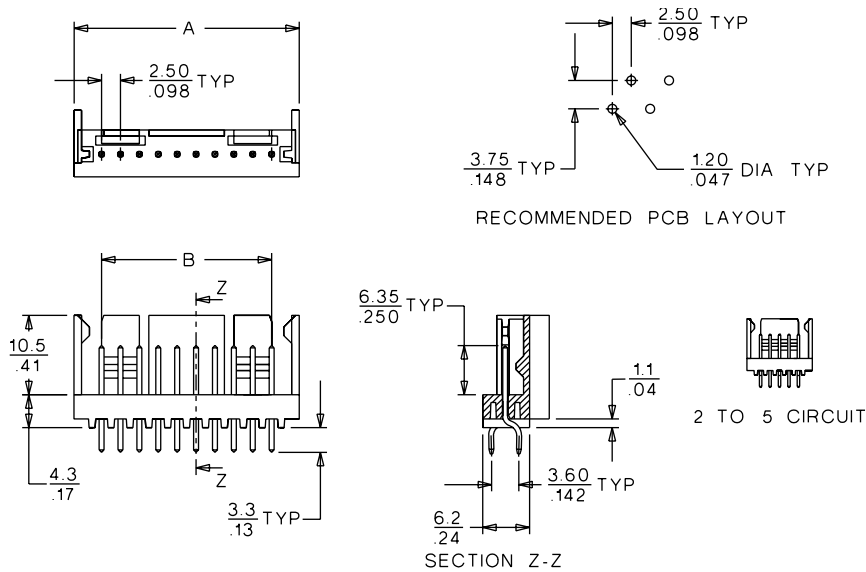
90293

**Vertical, Shrouded
 Staggered Tail**



2.00 to 2.50mm (.079 to .098") Pitch

CATALOG DRAWING (FOR REFERENCE ONLY)

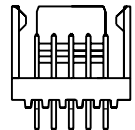
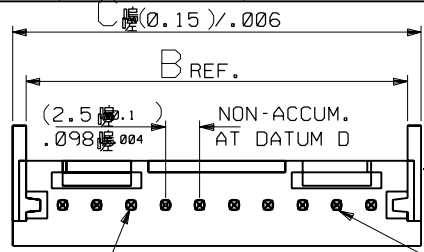


ORDERING INFORMATION AND DIMENSIONS

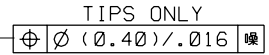
Circuits	Order No.	Dimension	
		A	B
2	90293-0022	9.80 (.386)	2.50 (.098)
3	90293-0023	12.30 (.484)	5.00 (.187)
4	90293-0024	14.80 (.583)	7.50 (.295)
5	90293-0025	17.30 (.681)	10.00 (.394)
6	90293-0026	19.80 (.780)	12.60 (.492)
7	90293-0027	22.30 (.878)	15.00 (.591)
8	90293-0028	24.80 (.976)	17.50 (.689)
9	90293-0029	27.30 (1.075)	20.00 (.787)
10	90293-0030	29.80 (1.173)	22.50 (.886)
11	90293-0031	32.30 (1.272)	25.00 (.984)

Circuits	Order No.	Dimension	
		A	B
12	90293-0032	34.80 (1.370)	27.50 (1.083)
13	90293-0033	37.30 (1.469)	30.00 (1.181)
14	90293-0034	39.80 (1.567)	32.50 (1.280)
15	90293-0035	42.30 (1.665)	35.00 (1.378)
16	90293-0036	44.80 (1.764)	37.50 (1.476)
17	90293-0037	47.30 (1.862)	40.00 (1.575)
18	90293-0038	49.80 (1.961)	42.50 (1.673)
19	90293-0039	52.30 (2.059)	45.00 (1.772)
20	90293-0040	54.80 (2.157)	47.50 (1.870)

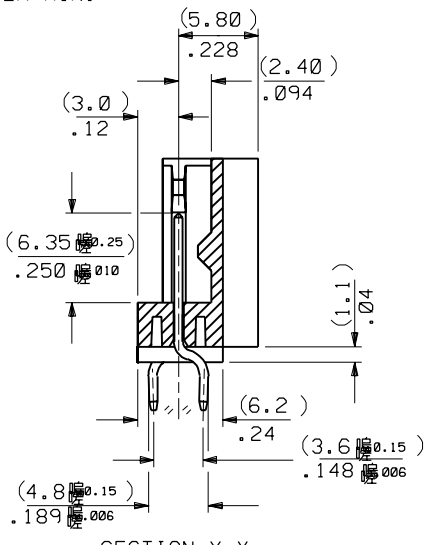
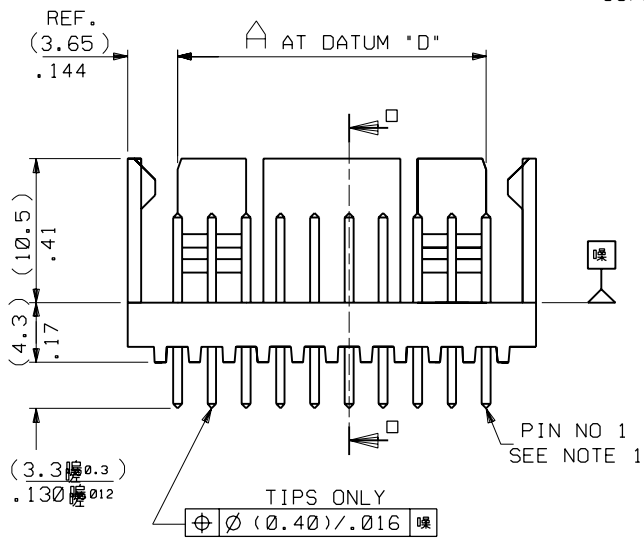
PART NO. SEE CHART SDA-90293
 DWG. NO.



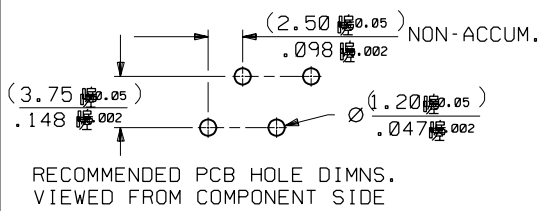
FOR CCTS 2 THRU 5



PIN $(0.635) / .025$ SQ. BRASS
 PREPLATED ELECTRO-TIN
 $(5\mu) / .0002$ MIN. OVER $(2.5\mu) / .0001$
 COPPER MIN.



- NOTES:
- PIN 1 TO BE POSITIONED AS SHOWN FOR ALL CCT. SIZES.
 - PIN PUSH OUT FORCE $(0.907) / 2$ LBS MIN.
 - SOLDERABILITY TO MOLEX SPEC. ES-152.
 - RECOMMENDED PCB THICKNESS $(1.5) / .060$



CCTS	DRG. NO	DIMN. A	DIMN. B	DIMN. C	TOOLING
2	90293-0022	2.50 ± 0.10 $.098 \pm .004$	7.80 .307	9.80 .386	TOOLED
3	0023	5.00 ± 0.10 .197 \pm .004	10.30 .406	12.30 .484	
4	0024	7.50 ± 0.10 .295 \pm .004	12.80 .504	14.80 .583	
5	0025	10.00 ± 0.10 .394 \pm .004	15.30 .602	17.30 .681	
6	0026	12.50 ± 0.10 .492 \pm .004	17.80 .701	19.80 .780	
7	0027	15.00 ± 0.10 .591 \pm .004	20.30 .799	22.30 .878	
8	0028	17.50 ± 0.10 .689 \pm .004	22.80 .898	24.80 .976	
9	0029	20.00 ± 0.10 .787 \pm .004	25.30 .996	27.30 1.075	
10	0030	22.50 ± 0.13 .886 \pm .005	27.80 1.094	29.80 1.173	
11	0031	25.00 ± 0.13 .984 \pm .005	30.30 1.193	32.30 1.272	
12	0032	27.50 ± 0.13 1.083 \pm .005	32.80 1.291	34.80 1.370	
13	0033	30.00 ± 0.15 1.181 \pm .006	35.30 1.390	37.30 1.469	
14	0034	32.50 ± 0.15 1.280 \pm .006	37.80 1.488	39.80 1.567	
15	0035	35.00 ± 0.15 1.378 \pm .006	40.30 1.587	42.30 1.665	
16	0036	37.50 ± 0.15 1.476 \pm .006	42.80 1.685	44.80 1.764	
17	0037	40.00 ± 0.15 1.575 \pm .006	45.30 1.783	47.30 1.862	
18	0038	42.50 ± 0.18 1.673 \pm .007	47.80 1.882	49.80 1.961	
19	0039	45.00 ± 0.18 1.772 \pm .007	50.30 1.980	52.30 2.059	
20	90293-0040	47.50 ± 0.18 1.870 \pm .007	52.80 2.079	54.80 2.157	TOOLED

ADDED BORDER EC NO. ECN E2001-0472 DRWN: MJACKO 26/10/00 CHK: APR:	QUALITY SYMBOLS MAJOR $\blacktriangledown = 0$ CRITICAL $\blacktriangledown = 0$	GENERAL TOLERANCES: (UNLESS SPECIFIED)		SCALE 3:1	DESIGN UNITS <input type="checkbox"/> MM <input checked="" type="checkbox"/> INCH	DIMENSIONS: <input checked="" type="checkbox"/> MM <input type="checkbox"/> INCH <input type="checkbox"/> MM ONLY	SHT REV
		4 PLACES $\pm 0.$ $\pm .$	3 PLACES $\pm 0.$ $\pm .006$	DRAWN BY & DATE MCC 13/8 /86	TITLE: STAGGERED, SHROUDED WAFER ASSY, MULTI-PURPOSE, (2.5)/.098 CTRS.		BEVISE ON CAD ONLY
		2 PLACES ± 0.15 ± 0.15	1 PLACE ± 0.38 $\pm 0.$	CHECKED BY & DATE	APPROVED BY & DATE		MOLEX MOLEX INCORPORATED
		ANGULAR: ± 2 °		CAD FILENAME SA90293X1 DGN	MATERIAL NO. SEE CHART	DRAWING NO. SDA-90293	SHEET NO. 1 OF 1
DRAFT WHERE APPLICABLE MUST REMAIN WITHIN DIMENSIONS		THIS DRAWING CONTAINS INFORMATION THAT IS PROPRIETARY TO MOLEX INCORPORATED AND SHOULD NOT BE USED WITHOUT WRITTEN PERMISSION.					SIZE B