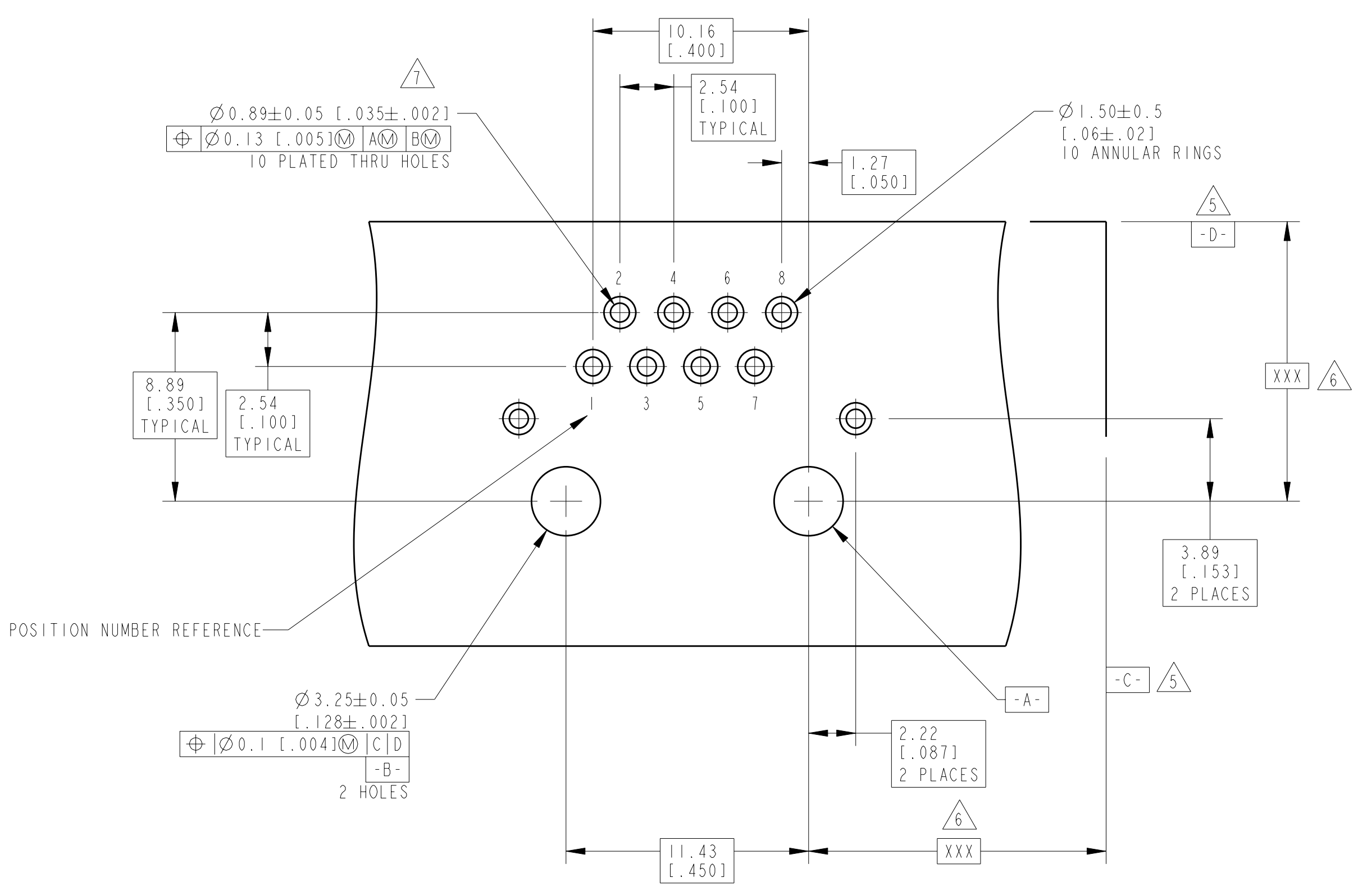
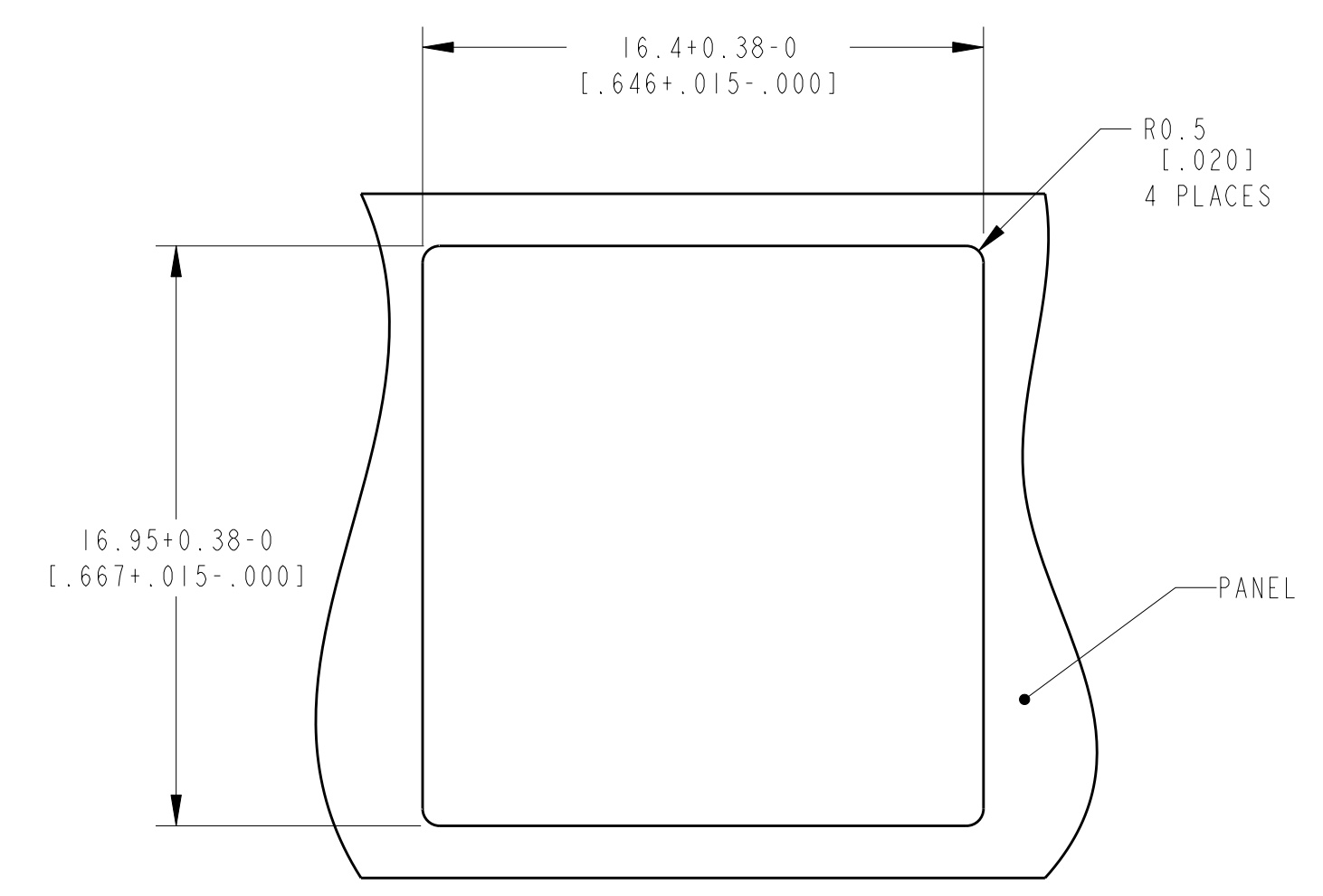
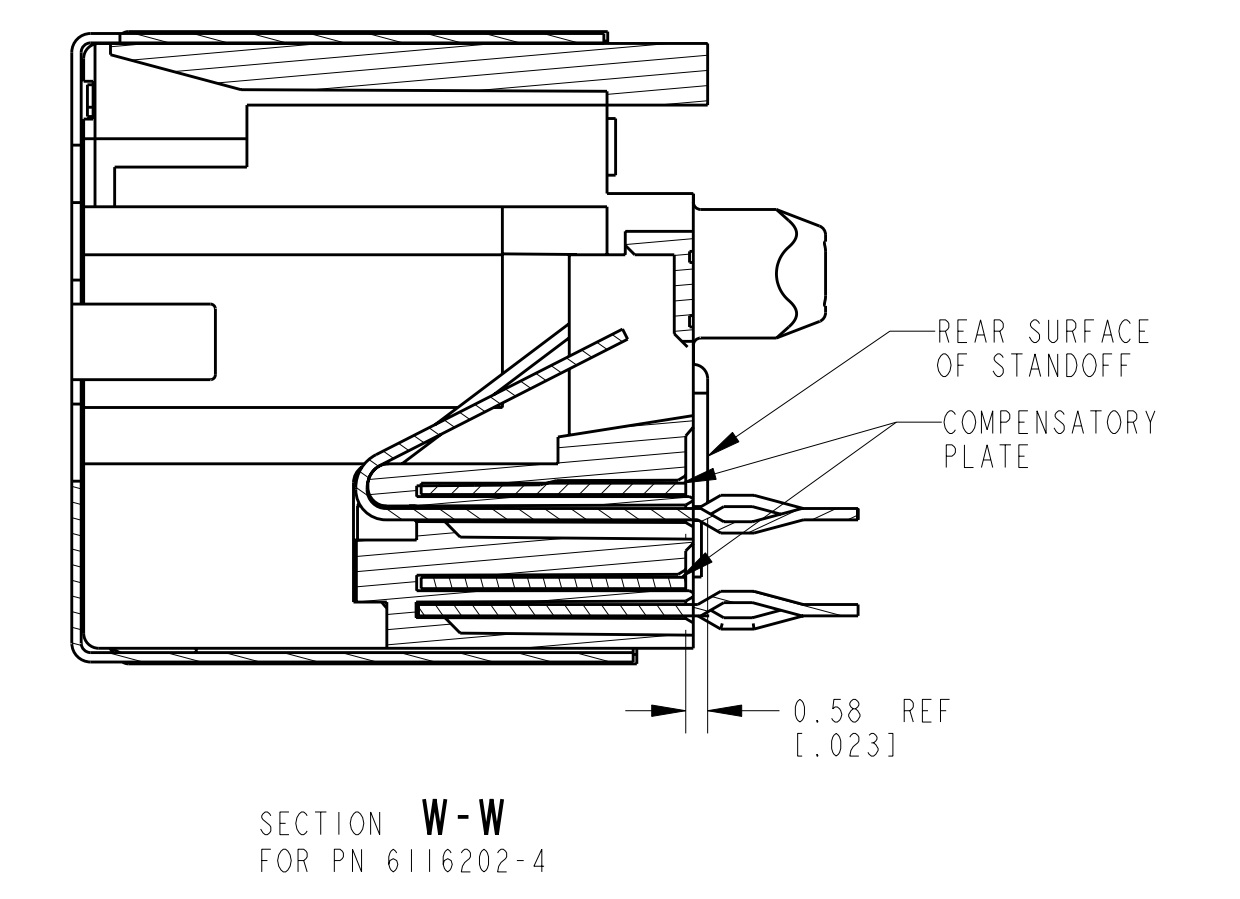
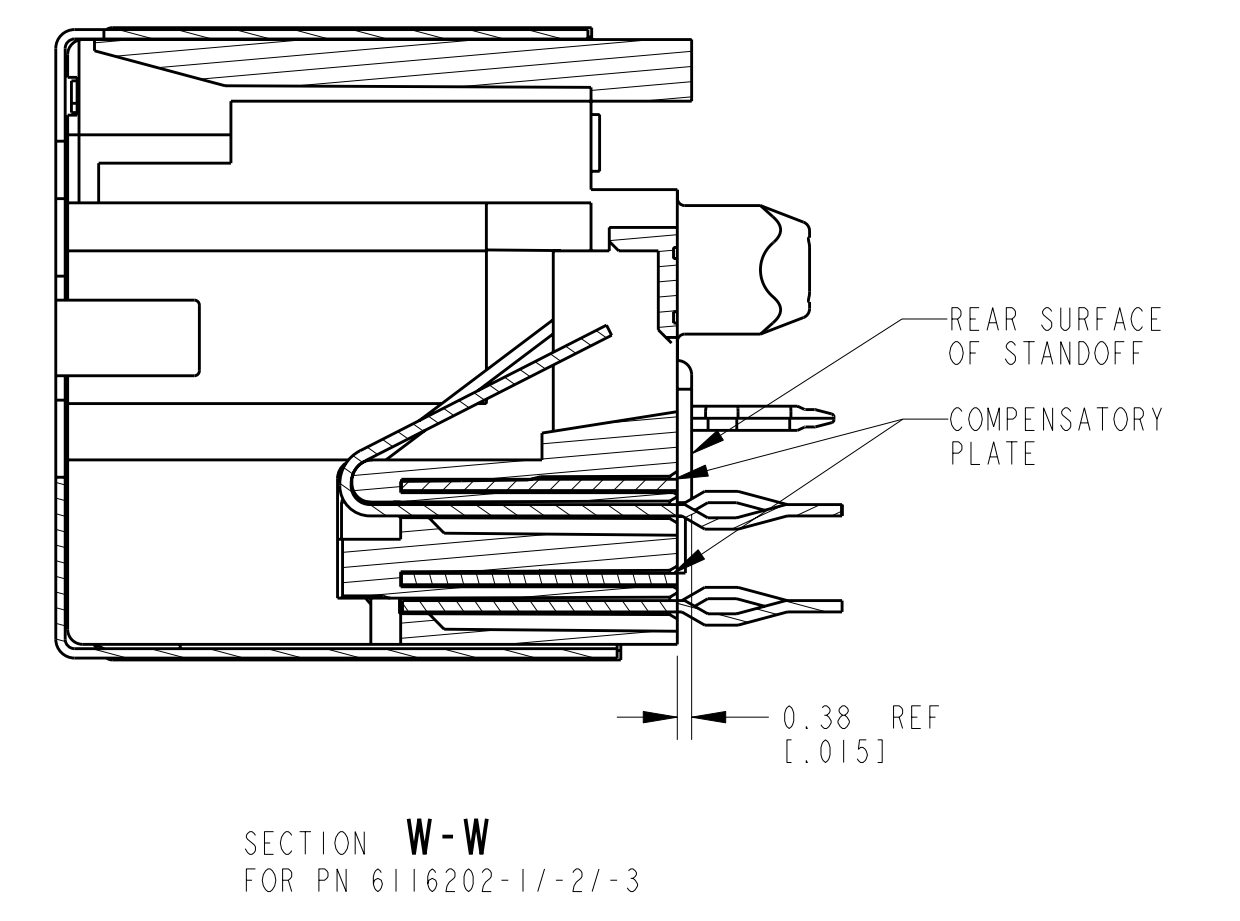
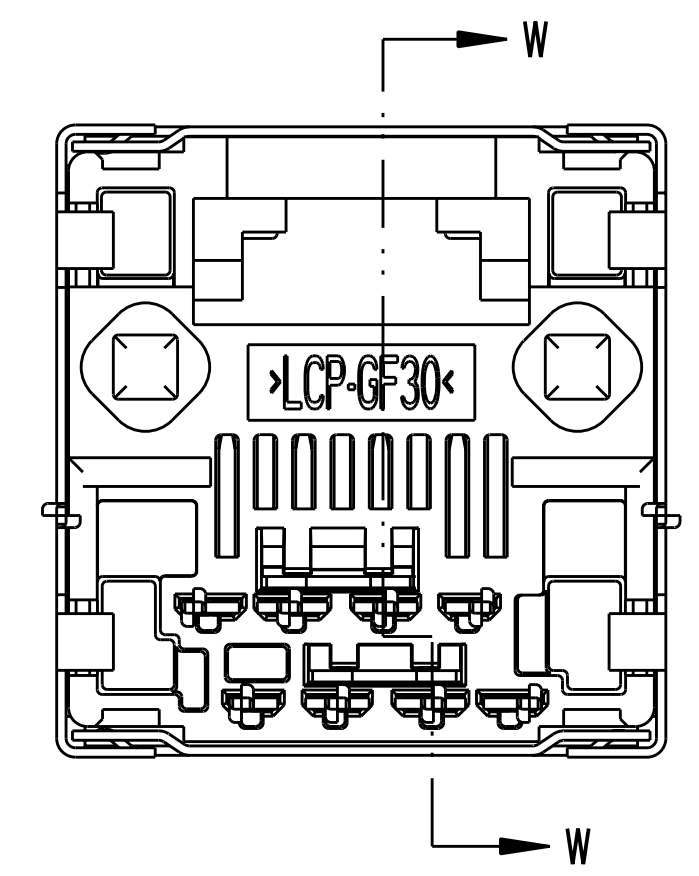
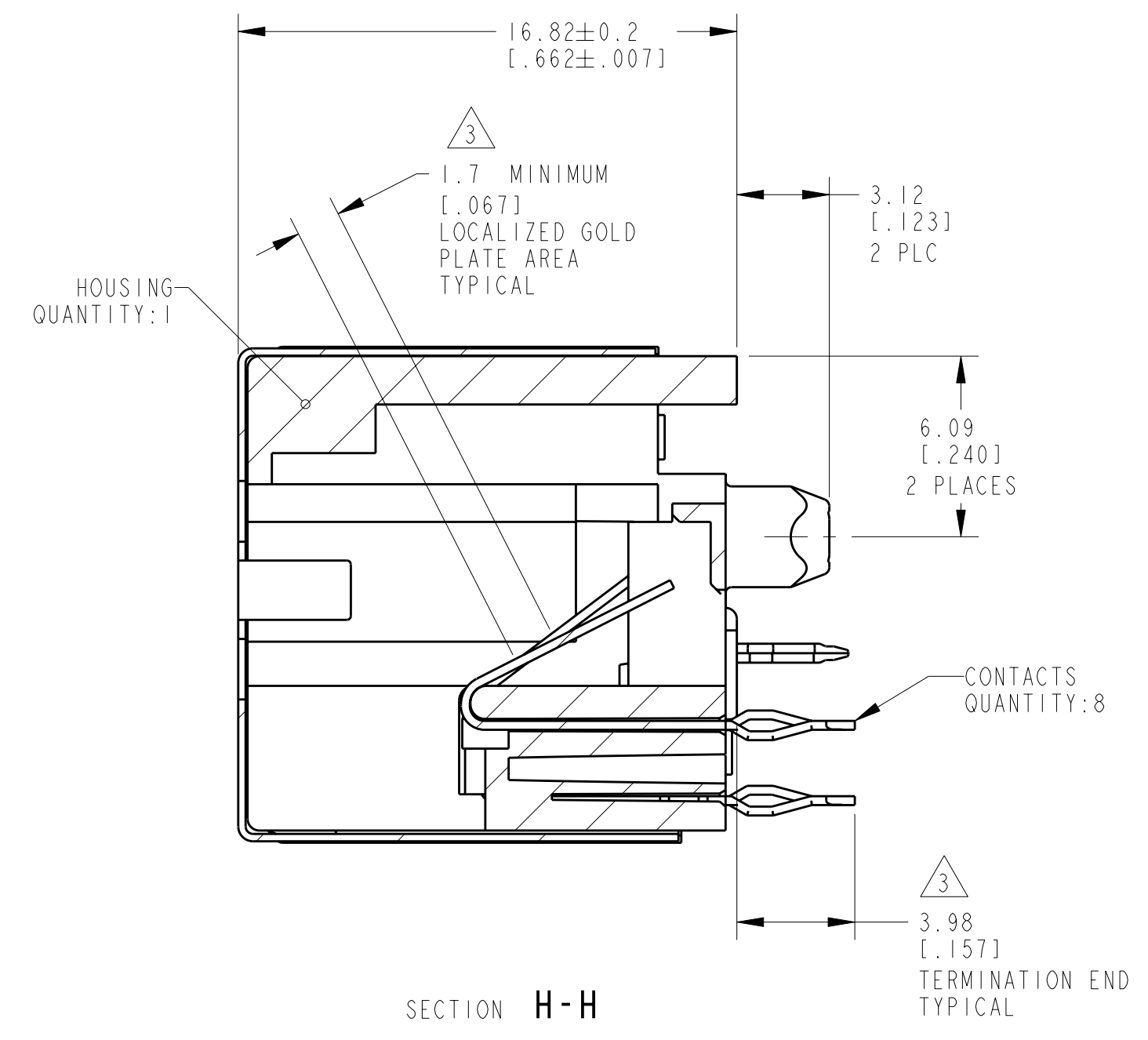
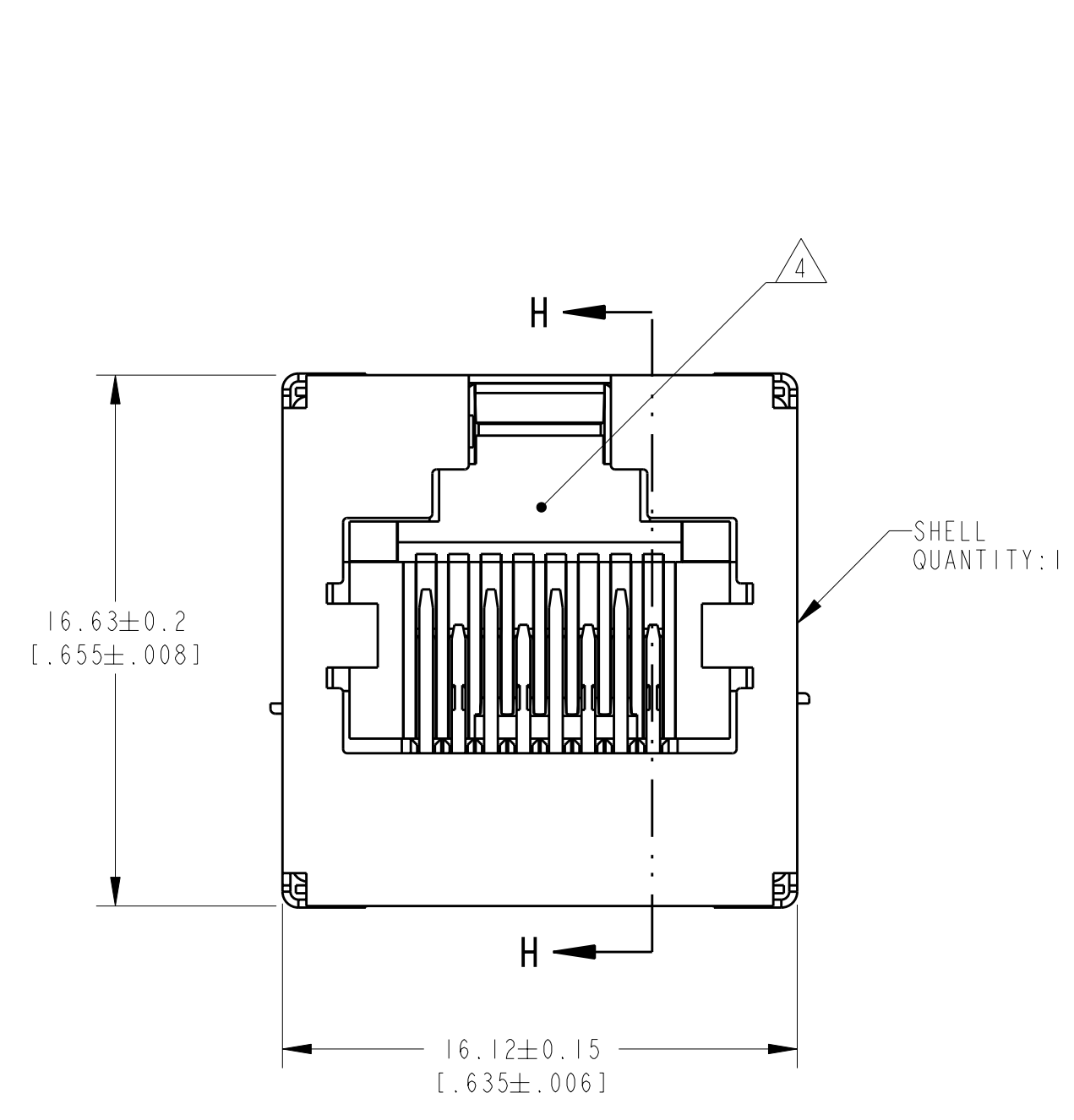
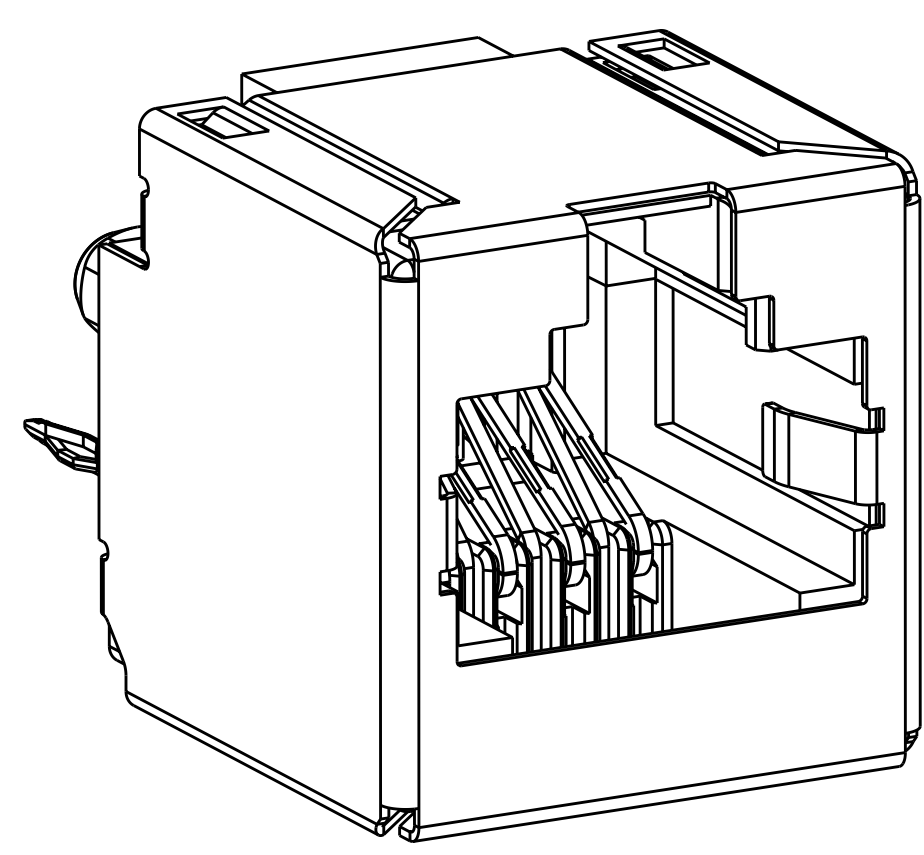


LOC	DIST	REV	DATE	BY	APPD
AA	22	D3	18MAR2011	RK	HMR



RECOMMENDED PRINTED CIRCUIT BOARD LAYOUT
 RECOMMENDED PRINTED CIRCUIT BOARD THICKNESS 1.41 [0.055] MIN
 COMPONENT SIDE OF PRINTED CIRCUIT BOARD

RECOMMENDED PANEL CUTOUT



- 1 THERMOPLASTIC.
- 2 PHOSPHOR BRONZE
- 3 1.27 um [0.000050] MIN GOLD IN LOCALIZED GOLD PLATE AREA, 2 um [0.000079] MIN MATTE TIN ON TERMINATION END, BOTH OVER 1.27 um [0.000050] MIN NICKEL.
- 4 CAVITY CONFORMS TO FCC 47 CFR 68 PART F.
- 5 DATUMS ESTABLISHED BY CUSTOMER.
- 6 DIMENSIONS ESTABLISHED BY CUSTOMER.
- 7 DRILLED HOLE DIAMETER 1.02 ± 0.03 [0.040 ± 0.001], COPPER THK 0.03-0.08 [0.001 - 0.003], TIN THICKNESS 8 um [0.000315] MIN.
- 8 COPPER ZINC ALLOY
- 9 2.03 um [0.000080] MIN BRIGHT TIN OVER 1.27 um [0.000050] MIN NICKEL
- 10 PC BOARDS GREATER THAN 1.57 [0.062] IN THICKNESS MAY REQUIRE SPECIAL EXTRACTION TOOLING, CONSULT ENGINEERING.
- 11 PACKAGED 29 PIECES PER TUBE
- 12 PACKAGED 27 PIECES PER TUBE

PACKAGING	COLOR	PART NUMBER
1	BLACK	6116202-4
2	NATURAL	6116202-3
3	NATURAL	6116202-2
4	BLACK	6116202-1

DIMENSIONS:		TOLERANCES UNLESS OTHERWISE SPECIFIED:		MATERIAL		FINISH	
mm	[INCHES]	9 PLC	±	1	±0.3 [0.012]	3	±
		1 PLC	±0.13 [0.005]	2	±	4	±
		3 PLC	±	5	±	5	±
		4 PLC	±	6	±	6	±
		5 PLC	±	7	±	7	±
		6 PLC	±	8	±	8	±
		7 PLC	±	9	±	9	±
		8 PLC	±	10	±	10	±
		9 PLC	±	11	±	11	±
		10 PLC	±	12	±	12	±

NAME	PRODUCT SPEC	APPLICATION SPEC	SIZE	CAGE CODE	DRAWING NO	RESTRICTED TO
MODULAR JACK ASSEMBLY, VERTICAL, COMPLIANT PIN, SHIELDED, 8 POSITION, CATEGORY 5	108-1163-6	114-2158	A1	00779	C=6116202	