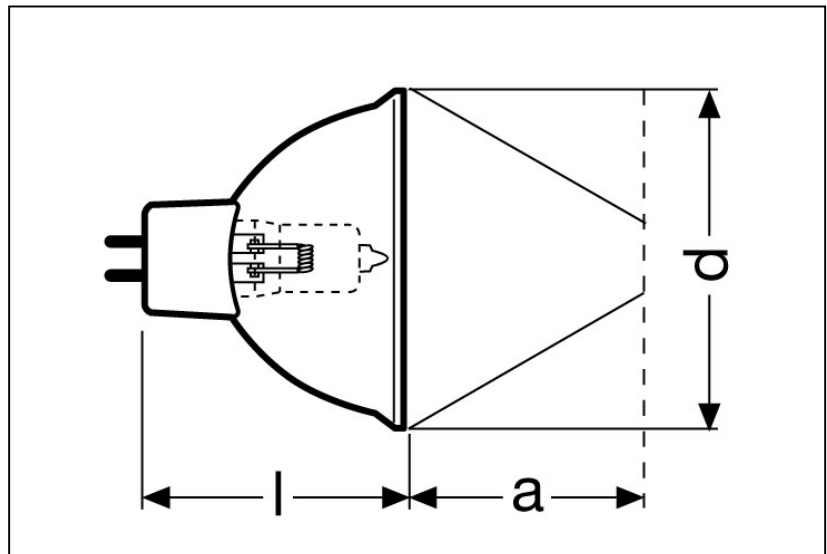


Product Information Bulletin

EKE
EKE / X

Low Voltage Tungsten Halogen Lamps with Reflector

- MR16 Dichroic coated reflector
- T3.15 quartz capsule
- 200 hrs standard life
- 1,000 hrs (X) long life version (Xenon Fill Gas Technology)



TECHNICAL DATA

Ordering Abbreviation		EKE	EKE/X
Product Number		54842	58771
Electrical Data:			
Watts	W	150	150
Voltage	V	21	21
Photometric Data:			
Color Temperature	K	3,300	3,150
Screen Lumens	lm	80	80
Corner Percent	%	60	60
Geometrical Data:			
Length l Max.	mm	38.10	38.10
Maximum Overall Length	mm	44.83	44.83
Working Distance a	mm	44.45	44.45
Diameter d	mm	51	51
Other Data:			
Average Service Life	hrs	200	1,000
Base		GX 5.3	GX 5.3
Bulb		T3.15	T3.15
Operating Position		Any	Any
Operating Limits:			
Max. Bulb Temperature	°C	1,000	1,000
Min. Bulb Temperature	°C	250	250
Max. Seal Temperature	°C	450	450

APPLICATION INFORMATION

Applications

- Overhead projector
- Fiber-Optic
- Night Club / Entertainment

WARNING

This lamp emits ultraviolet (UV) radiation and operates at high internal pressure. **Before use**, read the complete warning accompanying the product.

Disposal

When disposing of spent lamps, always consult federal, state, local and provincial hazardous waste disposal rules and regulations to ensure proper disposal.

ORDERING INFORMATION

Lamp Description	NAED Code	Standard Case Quantity
EKE	54842	24/case
EKE / X	58771	24/case

For Orders and
General Information:
OSRAM SYLVANIA
National Customer
Support Center
18725 N. Union Street
Westfield, IN 46074

Photo-Optic

Phone: 1-888-677-2627
Phone: 1-888-OSRAMCS
Fax: 1-800-762-7192

Special Markets

Phone: 1-800-762-7191
Fax: 1-800-762-7192

Industrial and Commercial

Phone: 1-800-255-5042
Fax: 1-800-255-5043

In Canada

OSRAM SYLVANIA LTD.
Headquarters
2001 Drew Road
Mississauga, ON L5S 1S4

Special Markets

Phone: 1-800-265-2852
Fax: 1-800-667-6772

Industrial and Commercial

Phone: 1-800-263-2852
Fax: 1-800-667-6772

Visit our website: www.sylvania.com

In North America OSRAM brand lighting
products are sold by OSRAM SYLVANIA

OSRAM
SYLVANIA