

# E Rated Medium Voltage Fuses

## Current Limiting

“E” Rated fuses have time current characteristics designed to provide current limiting protection for power transformers, potential transformers, power centers, feeder centers, and unit sub stations. When properly applied, they can protect against high and low value fault currents.

NEMA Standards for “E” rated medium voltage fuses require that fuses rated 100E or less open within 300 seconds (5 minutes) when subjected to an RMS value of 200-240% of the fuse’s continuous current rating; and fuses with an “E” rating larger than 100E must open within 600 seconds (10 minutes) when subjected to an rms current of 220-240% of the fuse’s continuous current rating. These values establish one point on the time-current curve.

### Application Note:

Since these fuses are used for the protection of general purpose circuits which may contain transformers, motors, and other equipment producing inrush and/or overload currents, fuses should generally be rated at 140% of the normal full load current, and circuits should be analyzed to ensure that system load currents will not exceed the current rating of the fuse.

### CHARACTERISTICS

**Voltage Rating:** 2,400 volts – 38,000 volts

**Current Range:** 10E – 600E

### OPTIONS

- Hermetically Sealed for use in hazardous locations (add “S” suffix to part number)
- Clip-lock (CL) and bolt-in styles available.

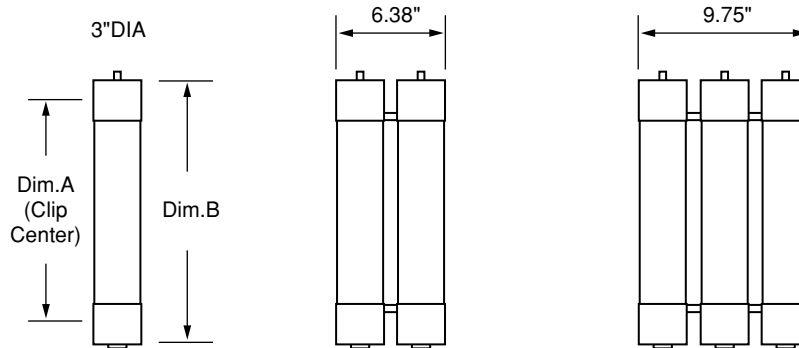


FIGURE 14

FIGURE 15

FIGURE 16



|              |                |                    | Size | Dim. A (inches) | Dim. B (inches) | Max Interrupting Rating RMS (Asym) | Figure Number |
|--------------|----------------|--------------------|------|-----------------|-----------------|------------------------------------|---------------|
|              | Catalog Number | Old Catalog Number |      |                 |                 |                                    |               |
| 2.75 Max. KV | 10E-1C-2.75    | LCX 10E            | 10E  | 7"              | 10.875"         | 80,000                             | 14            |
|              | 15E-1C-2.75    | —                  | 15E  |                 |                 |                                    | 14            |
|              | 20E-1C-2.75    | —                  | 20E  |                 |                 |                                    | 14            |
|              | 25E-1C-2.75    | —                  | 25E  |                 |                 |                                    | 14            |
|              | 30E-1C-2.75    | LCX 30E            | 30E  |                 |                 |                                    | 14            |
|              | 40E-1C-2.75    | LCX 40E            | 40E  |                 |                 |                                    | 14            |
|              | 50E-1C-2.75    | LCX 50E            | 50E  |                 |                 |                                    | 14            |
|              | 65E-1C-2.75    | LCX 65E            | 65E  |                 |                 |                                    | 14            |
|              | 80E-1C-2.75    | LCX 80E            | 80E  |                 |                 |                                    | 14            |
|              | 100E-1C-2.75   | LCX 100E           | 100E |                 |                 |                                    | 14            |
|              | 125E-1C-2.75   | —                  | 125E |                 |                 |                                    | 14            |
|              | 150E-1C-2.75   | —                  | 150E |                 |                 |                                    | 14            |
|              | 200E-1C-2.75   | —                  | 200E |                 |                 |                                    | 14            |
|              | 125E-2C-2.75   | LCX 125E           | 125E |                 |                 |                                    | 7"            |
|              | 150E-2C-2.75   | LCX 150E           | 150E | 15              |                 |                                    |               |
|              | 175E-2C-2.75   | LCX 175E           | 175E | 15              |                 |                                    |               |
|              | 200E-2C-2.75   | LCX 200E           | 200E | 15              |                 |                                    |               |
|              | 225E-2C-2.75   | —                  | 225E | 15              |                 |                                    |               |
|              | 250E-2C-2.75   | LCX 250E           | 250E | 15              |                 |                                    |               |
|              | 300E-2C-2.75   | LCX 300E           | 300E | 15              |                 |                                    |               |
|              | 350E-2C-2.75   | —                  | 350E | 15              |                 |                                    |               |
|              | 400E-2C-2.75   | LCX 400E           | 400E | 15              |                 |                                    |               |
| 450E-2C-2.75 | —              | 450E               | 15   |                 |                 |                                    |               |

# E Rated Medium Voltage Fuses

Current Limiting



POWR-GARD™ Products

| <b>E RATED</b>     | Catalog Number | Old Catalog Number | Size     | Dim. A (inches) | Dim. B (inches) | Max Interrupting Rating RMS (Asym) | Diagram  |         |         |        |      |    |
|--------------------|----------------|--------------------|----------|-----------------|-----------------|------------------------------------|----------|---------|---------|--------|------|----|
| <b>5.5 Max. KV</b> | 10E-1C-5.5     | —                  | 10E      | 12"             | 15.875"         | 80,000                             | 14       |         |         |        |      |    |
|                    | 15E-1C-5.5     | —                  | 15E      |                 |                 |                                    | 14       |         |         |        |      |    |
|                    | 20E-1C-5.5     | —                  | 20E      |                 |                 |                                    | 14       |         |         |        |      |    |
|                    | 25E-1C-5.5     | —                  | 25E      |                 |                 |                                    | 14       |         |         |        |      |    |
|                    | 30E-1C-5.5     | LCY 30E            | 30E      |                 |                 |                                    | 14       |         |         |        |      |    |
|                    | 40E-1C-5.5     | LCY 40E            | 40E      |                 |                 |                                    | 14       |         |         |        |      |    |
|                    | 50E-1C-5.5     | LCY 50E            | 50E      |                 |                 |                                    | 14       |         |         |        |      |    |
|                    | 65E-1C-5.5     | LCY 60E            | 65E      |                 |                 |                                    | 14       |         |         |        |      |    |
|                    | 80E-1C-5.5     | LCY 80E            | 80E      |                 |                 |                                    | 14       |         |         |        |      |    |
|                    | 100E-1C-5.5    | LCY 100E           | 100E     |                 |                 |                                    | 14       |         |         |        |      |    |
|                    | 125E-1C-5.5    | LCY 125E           | 125E     |                 |                 |                                    | 14       |         |         |        |      |    |
|                    | 150E-1C-5.5    | LCY 150E           | 150E     |                 |                 |                                    | 14       |         |         |        |      |    |
|                    | 175E-1C-5.5    | LCY 175E           | 175E     |                 |                 |                                    | 14       |         |         |        |      |    |
|                    | 200E-1C-5.5    | LCY 200E           | 200E     |                 |                 |                                    | 14       |         |         |        |      |    |
|                    | 125E-2C-5.5    | —                  | 125E     |                 |                 |                                    | 12"      | 15.875" | 80,000  | 15     |      |    |
|                    | 150E-2C-5.5    | —                  | 150E     |                 |                 |                                    |          |         |         | 15     |      |    |
|                    | 175E-2C-5.5    | —                  | 175E     |                 |                 |                                    |          |         |         | 15     |      |    |
|                    | 200E-2C-5.5    | —                  | 200E     |                 |                 |                                    |          |         |         | 15     |      |    |
|                    | 250E-2C-5.5    | LCY 250E           | 250E     | 15              |                 |                                    |          |         |         |        |      |    |
|                    | 300E-2C-5.5    | LCY 300E           | 300E     | 15              |                 |                                    |          |         |         |        |      |    |
|                    | 350E-2C-5.5    | LCY 350E           | 350E     | 15              |                 |                                    |          |         |         |        |      |    |
|                    | 400E-2C-5.5    | LCY 400E           | 400E     | 15              |                 |                                    |          |         |         |        |      |    |
|                    | 450E-2C-5.5    | LCY 450E           | 450E     | 15              |                 |                                    |          |         |         |        |      |    |
|                    | 500E-3C-5.5    | —                  | 500E     | 12"             | 15.875"         | 80,000                             | 16       |         |         |        |      |    |
| 550E-3C-5.5        | —              | 550E               | 16       |                 |                 |                                    |          |         |         |        |      |    |
| 600E-3C-5.5        | —              | 660E               | 16       |                 |                 |                                    |          |         |         |        |      |    |
| <b>5.5 Max. KV</b> | 5NLE-10E       | LCU 30E            | 10E      | 14              | 17-7/8"         | 80,000                             | 14       |         |         |        |      |    |
|                    | 5NLE-15E       |                    | 15E      |                 |                 |                                    | 14       |         |         |        |      |    |
|                    | 5NLE-20E       |                    | 20E      |                 |                 |                                    | 14       |         |         |        |      |    |
|                    | 5NLE-25E       |                    | 25E      |                 |                 |                                    | 14       |         |         |        |      |    |
|                    | 5NLE-30E       |                    | 30E      |                 |                 |                                    | 14       |         |         |        |      |    |
|                    | 5NLE-40E       |                    | LCU 40E  |                 |                 |                                    | 40E      | 14      |         |        |      |    |
|                    | 5NLE-50E       |                    | LCU 50E  |                 |                 |                                    | 50E      | 14      |         |        |      |    |
|                    | 5NLE-65E       |                    | LCU 65E  |                 |                 |                                    | 65E      | 14      |         |        |      |    |
|                    | 5NLE-80E       |                    | LCU 80E  |                 |                 |                                    | 80E      | 14      |         |        |      |    |
|                    | 5NLE-100E      |                    | LCU 100E |                 |                 |                                    | 100E     | 14      |         |        |      |    |
|                    | 5NLE-125E      |                    | LCU 125E |                 |                 |                                    | 125E     | 14      |         |        |      |    |
|                    | 5NLE-150E      |                    | LCU 150E |                 |                 |                                    | 150E     | 14      |         |        |      |    |
|                    | 5NLE-175E      |                    | LCU 175E |                 |                 |                                    | 175E     | 14      |         |        |      |    |
|                    | 5NLE-200E      |                    | LCU 200E |                 |                 |                                    | 200E     | 14      |         |        |      |    |
|                    | 5NLE2-225E     |                    | LCU 250E |                 |                 |                                    | 225E     | 14"     | 17-7/8" | 80,000 | 15   |    |
|                    | 5NLE2-250E     |                    |          |                 |                 |                                    | 250E     |         |         |        | 15   |    |
|                    | 5NLE2-300E     |                    |          |                 |                 |                                    | LCU 300E |         |         |        | 300E | 15 |
|                    | 5NLE2-350E     |                    |          |                 |                 |                                    | LCU 350E |         |         |        | 350E | 15 |
| 5NLE2-400E         | LCU 400E       | 400E               |          | 15              |                 |                                    |          |         |         |        |      |    |
| 5NLE2-450E         | LCU 450E       | 450E               |          | 15              |                 |                                    |          |         |         |        |      |    |



# E Rated Medium Voltage Fuses

Current Limiting



POWR-GARD™ Products


| <b>RATED</b>        | <b>Catalog Number</b> | <b>Old Catalog Number</b> | <b>Size</b> | <b>Dim. A (inches)</b> | <b>Dim. B (inches)</b> | <b>Max Interrupting Rating RMS (Asym)</b> | <b>Diagram</b> |         |        |    |
|---------------------|-----------------------|---------------------------|-------------|------------------------|------------------------|---|----------------|---------|--------|----|
| <b>8.25 Max. KV</b> | 10E-1C-8.25           |                           | 10E         | 12"                    | 15-7/8"                | 80,000                                    | 14             |         |        |    |
|                     | 15E-1C-8.25           |                           | 15E         |                        |                        |   | 14             |         |        |    |
|                     | 20E-1C-8.25           |                           | 20E         |                        |                        |   | 14             |         |        |    |
|                     | 25E-1C-8.25           |                           | 25E         |                        |                        |   | 14             |         |        |    |
|                     | 30E-1C-8.25           | LDZ 30E                   | 30E         |                        |                        |   | 14             |         |        |    |
|                     | 40E-1C-8.25           | LDZ 40E                   | 40E         |                        |                        |   | 14             |         |        |    |
|                     | 50E-1C-8.25           | LDZ 50E                   | 50E         |                        |                        |   | 14             |         |        |    |
|                     | 65E-1C-8.25           | LDZ 65E                   | 65E         |                        |                        |   | 14             |         |        |    |
|                     | 80E-1C-8.25           | LDZ 80E                   | 80E         |                        |                        |   | 14             |         |        |    |
|                     | 100E-1C-8.25          | LDZ 100E                  | 100E        |                        |                        |   | 14             |         |        |    |
|                     | 125E-1C-8.25          | LDZ 125E                  | 125E        |                        |                        |   | 14             |         |        |    |
|                     | 150E-1C-8.25          | LDZ 150E                  | 150E        |                        |                        |   | 14             |         |        |    |
|                     | 125E-2C-8.25          | LDZ 125E                  | 125E        |                        |                        |   | 12"            | 15-7/8" | 80,000 | 15 |
|                     | 150E-2C-8.25          | LDZ 150E                  | 150E        |                        |                        |   |                |         |        | 15 |
|                     | 200E-2C-8.25          | LDZ 200E                  | 200E        |                        |                        |   |                |         |        | 15 |
|                     | 250E-2C-8.25          | LDZ 250E                  | 250E        | 15                     |                        |   |                |         |        |    |
|                     | 300E-2C-8.25          | LDZ 300E                  | 300E        | 15                     |                        |   |                |         |        |    |
|                     | 350E-3C-8.25          | LDZ 350Z                  | 350E        | 12"                    | 15-7/8"                | 80,000                                    | 16             |         |        |    |
| 400E-3C-8.25        |                       | 400E                      | 16          |                        |                        |   |                |         |        |    |
| <b>8.25 Max. KV</b> | 8NLE-10E              |                           | 10E         | 14"                    | 17-7/8"                | 80,000                                    | 14             |         |        |    |
|                     | 8NLE-15E              |                           | 15E         |                        |                        |   | 14             |         |        |    |
|                     | 8NLE-20E              |                           | 20E         |                        |                        |   | 14             |         |        |    |
|                     | 8NLE-25E              |                           | 25E         |                        |                        |   | 14             |         |        |    |
|                     | 8NLE-30E              | LCZ 30E                   | 30E         |                        |                        |   | 14             |         |        |    |
|                     | 8NLE-40E              | LCZ 40E                   | 40E         |                        |                        |   | 14             |         |        |    |
|                     | 8NLE-50E              | LCZ 50E                   | 50E         |                        |                        |   | 14             |         |        |    |
|                     | 8NLE-65E              | LCZ 65E                   | 65E         |                        |                        |   | 14             |         |        |    |
|                     | 8NLE-80E              | LCZ 80E                   | 80E         |                        |                        |   | 14             |         |        |    |
|                     | 8NLE-100E             | LCZ 100E                  | 100E        |                        |                        |   | 14             |         |        |    |
|                     | 8NLE2-100E            | LCZ 100E                  | 100E        |                        |                        |   | 14"            | 17-7/8" | 80,000 | 15 |
|                     | 8NLE2-125E            | LCZ 125E                  | 125E        |                        |                        |   |                |         |        | 15 |
|                     | 8NLE2-150E            | LCZ 150E                  | 150E        |                        |                        |   |                |         |        | 15 |
|                     | 8NLE2-200E            | LCZ 200E                  | 200E        |                        |                        |   |                |         |        | 15 |
|                     | 8NLE2-250E            |                           | 250E        |                        |                        |   |                |         |        | 15 |




| <b>RATED</b>        | <b>Catalog Number</b> | <b>Old Catalog Number</b> | <b>Size</b> | <b>Dim. A (inches)</b> | <b>Dim. B (inches)</b> | <b>Max Interrupting Rating RMS (Asym)</b> | <b>Figure Number</b> |         |        |    |
|---------------------|-----------------------|---------------------------|-------------|------------------------|------------------------|---|----------------------|---------|--------|----|
| <b>15.5 Max. KV</b> | 10E-1C-15.5           | LDN 10E                   | 10E         | 15"                    | 18.875"                | 60,000                                    | 14                   |         |        |    |
|                     | 15E-1C-15.5           | LDN 15E                   | 15E         |                        |                        |   | 14                   |         |        |    |
|                     | 20E-1C-15.5           | LDN 20E                   | 20E         |                        |                        |   | 14                   |         |        |    |
|                     | 25E-1C-15.5           | LDN 25E                   | 25E         |                        |                        |   | 14                   |         |        |    |
|                     | 30E-1C-15.5           | LDN 30E                   | 30E         |                        |                        |   | 14                   |         |        |    |
|                     | 40E-1C-15.5           | LDN 40E                   | 40E         |                        |                        |   | 14                   |         |        |    |
|                     | 50E-1C-15.5           | LDN 50E                   | 50E         |                        |                        |   | 14                   |         |        |    |
|                     | 65E-1C-15.5           | LDN 65E                   | 65E         |                        |                        |   | 14                   |         |        |    |
|                     | 80E-1C-15.5           | LDN 80E                   | 80E         |                        |                        |   | 14                   |         |        |    |
|                     | 100E-1C-15.5          | LDN 100E                  | 100E        |                        |                        |   | 14                   |         |        |    |
|                     | 65E-2C-15.5           |                           | 65E         |                        |                        |   | 15"                  | 18.875" | 60,000 | 15 |
|                     | 80E-2C-15.5           |                           | 80E         |                        |                        |   |                      |         |        | 15 |
|                     | 100E-2C-15.5          |                           | 100E        | 15                     |                        |   |                      |         |        |    |
|                     | 125E-2C-15.5          |                           | 125E        | 15                     |                        |   |                      |         |        |    |
|                     | 150E-2C-15.5          | LDN 150E                  | 150E        | 15                     |                        |   |                      |         |        |    |
|                     | 175E-2C-15.5          | LDN 175E                  | 175E        | 15                     |                        |   |                      |         |        |    |
|                     | 200E-2C-15.5          |                           | 200E        | 15                     |                        |   |                      |         |        |    |
|                     | 200E-3C-15.5          |                           | 200E        | 15"                    | 18.875"                | 60,000                                    | 16                   |         |        |    |
|                     | 250E-3C-15.5          |                           | 250E        |                        |                        |   | 16                   |         |        |    |
|                     | 300E-3C-15.5          |                           | 300E        |                        |                        |   | 16                   |         |        |    |


# E Rated Medium Voltage Fuses

Current Limiting

|  | Catalog Number | Old Catalog Number  | Size     | Dim. A (inches) | Dim. B (inches) | Max Interrupting Rating RMS (Asym) | Figure Number |     |         |        |    |
|---|----------------|---|----------|-----------------|-----------------|------------------------------------|---------------|-----|---------|--------|----|
| <b>15.5 Max. KV</b>   | 15GSE-65E      | —   | 65E      | 18"             | 21-7/8"         | 60,000                             | 14            |     |         |        |    |
|   | 15GSE-80E      |   | 80E      |                 |                 |                                    | 14            |     |         |        |    |
|   | 15GSE-100E     |   | 100E     |                 |                 |                                    | 14            |     |         |        |    |
|   | 15GSE2-125E    | —   | 125E     | 18"             | 21-7/8"         | 60,000                             | 15            |     |         |        |    |
|   | 15GSE2-150E    |   | 150E     |                 |                 |                                    | 15            |     |         |        |    |
|   | 15GSE2-175E    |   | 175E     |                 |                 |                                    | 15            |     |         |        |    |
| 15GSE2-200E   | 200E           |   | 15       |                 |                 |                                    |               |     |         |        |    |
| <b>15.5 Max. KV</b>   | 15NLE-10E      | LCN 30E<br>LCN 40E<br>LCN 50E<br>LCN 65E<br>LCN 80ES<br>LCN 100ES | 10E      | 20"             | 23-7/8"         | 60,000                             | 14            |     |         |        |    |
|   | 15NLE-15E      |   | 15E      |                 |                 |                                    | 14            |     |         |        |    |
|   | 15NLE-20E      |   | 20E      |                 |                 |                                    | 14            |     |         |        |    |
|   | 15NLE-25E      |   | 25E      |                 |                 |                                    | 14            |     |         |        |    |
|   | 15NLE-30E      |   | 30E      |                 |                 |                                    | 14            |     |         |        |    |
|   | 15NLE-40E      |   | 40E      |                 |                 |                                    | 14            |     |         |        |    |
|   | 15NLE-50E      |   | 50E      |                 |                 |                                    | 14            |     |         |        |    |
|   | 15NLE-65E      |   | 65E      |                 |                 |                                    | 14            |     |         |        |    |
|   | 15NLE-80E      |   | 80E      |                 |                 |                                    | 14            |     |         |        |    |
|   | 15NLE-100E     |   | 100E     |                 |                 |                                    | 14            |     |         |        |    |
|   | 15NLE2-80E     |   | LCN 80E  |                 |                 |                                    | 80E           | 20" | 23-7/8" | 60,000 | 15 |
|   | 15NLE2-100E    |   | LCN 100E |                 |                 |                                    | 100E          |     |         |        | 15 |
|   | 15NLE2-125E    | LCN 125X  | 125E     | 15              |                 |                                    |               |     |         |        |    |
|   | 15NLE2-150E    | LCN 150E  | 150E     | 15              |                 |                                    |               |     |         |        |    |
|   | 15NLE2-175E    | 175E  | 175E     | 15              |                 |                                    |               |     |         |        |    |
|   | 15NLE2-200E    | LCN 200ED   | 200E     | 15              |                 |                                    |               |     |         |        |    |
|   | 15NLE3-150E    | —   | 150E     | 20"             | 23-7/8"         | 60,000                             | 16            |     |         |        |    |
|   | 15NLE3-175E    |   | 175E     |                 |                 |                                    | 16            |     |         |        |    |
| 15NLE3-250E   | 250E           |   | 16       |                 |                 |                                    |               |     |         |        |    |
| 15NLE3-300E   | 300E           |   | 16       |                 |                 |                                    |               |     |         |        |    |



|  | Catalog Number | Old Catalog Number | Size | Dim. A (inches) | Dim. B (inches) | Max Interrupting Rating RMS (Asym) | Figure Number |
|---|----------------|--------------------|------|-----------------|-----------------|------------------------------------|---------------|
| <b>25.8 Max. KV</b>   | 15E-1C-25.8    | —                  | 15E  | 21"             | 24-5/8"         | 40,000                             | 14            |
|   | 20E-1C-25.8    |                    | 20E  |                 |                 |                                    | 14            |
|   | 25E-1C-25.8    |                    | 25E  |                 |                 |                                    | 14            |
|   | 30E-1C-25.8    |                    | 30E  |                 |                 |                                    | 14            |
|   | 40E-1C-25.8    |                    | 40E  |                 |                 |                                    | 14            |
|   | 50E-1C-25.8    |                    | 50E  |                 |                 |                                    | 14            |
|   | 65E-2C-25.8    | —                  | 65E  | 21"             | 24-5/8"         | 40,000                             | 15            |
|   | 80E-2C-25.8    |                    | 80E  |                 |                 |                                    | 15            |
|   | 100E-2C-25.8   |                    | 100E |                 |                 |                                    | 15            |

|  | Catalog Number | Old Catalog Number | Size | Dim. A (inches) | Dim. B (inches) | Max Interrupting Rating RMS (Asym) | Figure Number |
|---|----------------|--------------------|------|-----------------|-----------------|------------------------------------|---------------|
| <b>38 Max. KV</b>   | 3E-1C-38.0     | —                  | 3E   | 27"             | 30-5/8"         | 20,000                             | 14            |
|   | 7E-1C-38.0     |                    | 7E   |                 |                 |                                    | 14            |
|   | 10E-1C-38.0    |                    | 10E  |                 |                 |                                    | 14            |
|   | 15E-1C-38.0    |                    | 15E  |                 |                 |                                    | 14            |
|   | 20E-1C-38.0    |                    | 20E  |                 |                 |                                    | 14            |
|   | 25E-1C-38.0    |                    | 25E  |                 |                 |                                    | 14            |
|   | 30E-1C-38.0    |                    | 30E  |                 |                 |                                    | 14            |
|   | 40E-1C-38.0    |                    | 40E  |                 |                 |                                    | 14            |
|   | 50E-2C-38.0    |                    | —    |                 |                 |                                    | 50E           |
|   | 65E-2C-38.0    | 65E                |      | 15              |                 |                                    |               |
|   | 80E-2C-38.0    | 80E                |      | 15              |                 |                                    |               |

# E Rated Medium Voltage Fuses



Current Limiting

POWR-GARD™ Products

## Clip Lock Design

The clip lock type designs ensures a positive contact between the fuse and the connection cam. The fuse's clip lock tab slides in between the clip casting and the cam to prevent the fuse from slipping or blowing out of the holder. This positive contact improves heat dissipation and allows fuses to run cooler.

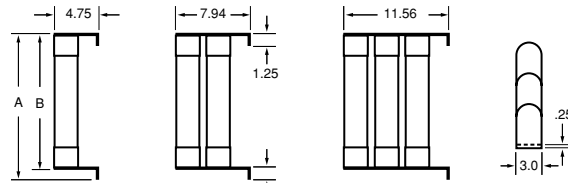


FIGURE 17

FIGURE 18

FIGURE 19

| <b>RATED</b>                    | Catalog Number | Old Catalog Number | Size   | Dim. A (inches) | Dim. B (inches) | Max Interrupting Rating RMS (Asym) | Figure Number |        |        |        |    |
|---------------------------------|----------------|--------------------|--------|-----------------|-----------------|------------------------------------|---------------|--------|--------|--------|----|
| <b>5.5 Max. KV</b><br>Clip Lock | 10E-1CL-5.5    | —                  | 10E    | 16.38"          | 15.13"          | 80,000                             | 17            |        |        |        |    |
|                                 | 15E-1CL-5.5    |                    | 15E    |                 |                 |                                    | 17            |        |        |        |    |
|                                 | 20E-1C-5.5     |                    | 20E    |                 |                 |                                    | 17            |        |        |        |    |
|                                 | 25E-1CL-5.5    |                    | 25E    |                 |                 |                                    | 17            |        |        |        |    |
|                                 | 30E-1CL-5.5    |                    | 30E    |                 |                 |                                    | 17            |        |        |        |    |
|                                 | 40E-1CL-5.5    |                    | 40E    |                 |                 |                                    | 17            |        |        |        |    |
|                                 | 50E-1CL-5.5    |                    | 50E    |                 |                 |                                    | 17            |        |        |        |    |
|                                 | 65E-1CL-5.5    |                    | 65E    |                 |                 |                                    | 17            |        |        |        |    |
|                                 | 80E-1CL-5.5    |                    | 80E    |                 |                 |                                    | 17            |        |        |        |    |
|                                 | 100E-1CL-5.5   |                    | 100E   |                 |                 |                                    | 17            |        |        |        |    |
|                                 | 125E-1CL-5.5   |                    | 125E   |                 |                 |                                    | 17            |        |        |        |    |
|                                 | 150E-1CL-5.5   |                    | 150E   |                 |                 |                                    | 17            |        |        |        |    |
|                                 | 225E-2CL-5.5   |                    | —      |                 |                 |                                    | 225E          | 17.38" | 16.13" | 80,000 | 18 |
|                                 | 250E-2CL-5.5   |                    |        |                 |                 |                                    | 250E          |        |        |        | 18 |
|                                 | 300E-2CL-5.5   |                    |        |                 |                 |                                    | 300E          |        |        |        | 18 |
|                                 | 350E-2CL-5.5   | 350E               |        | 18              |                 |                                    |               |        |        |        |    |
|                                 | 400E-2CL-5.5   | 400E               |        | 18              |                 |                                    |               |        |        |        |    |
|                                 | 450E-2CL-5.5   | 450E               | 18     |                 |                 |                                    |               |        |        |        |    |
| 500E-3CL-5.5                    | —              | 500E               | 17.38" | 16.13"          | 80,000          | 19                                 |               |        |        |        |    |
| 550E-3CL-5.5                    |                | 550E               |        |                 |                 | 19                                 |               |        |        |        |    |
| 600E-3CL-5.5                    |                | 600E               |        |                 |                 | 19                                 |               |        |        |        |    |



| <b>RATED</b>                     | Catalog Number | Old Catalog Number | Size | Dim. A (inches) | Dim. B (inches) | Max Interrupting Rating RMS (Asym) | Figure Number |
|----------------------------------|----------------|--------------------|------|-----------------|-----------------|------------------------------------|---------------|
| <b>8.25 Max. KV</b><br>Clip Lock | 10E-1CL-8.25   | —                  | 10E  | 17.38"          | 16.13"          | 80,000                             | 17            |
|                                  | 15E-1CL-8.25   |                    | 15E  |                 |                 |                                    | 17            |
|                                  | 20E-1C-8.25    |                    | 20E  |                 |                 |                                    | 17            |
|                                  | 25E-1CL-8.25   |                    | 25E  |                 |                 |                                    | 17            |
|                                  | 30E-1CL-8.25   |                    | 30E  |                 |                 |                                    | 17            |
|                                  | 40E-1CL-8.25   |                    | 40E  |                 |                 |                                    | 17            |
|                                  | 50E-1CL-8.25   |                    | 50E  |                 |                 |                                    | 17            |
|                                  | 65E-1CL-8.25   |                    | 65E  |                 |                 |                                    | 17            |
|                                  | 80E-1CL-8.25   |                    | 80E  |                 |                 |                                    | 17            |
|                                  | 100E-1CL-8.25  |                    | 100E |                 |                 |                                    | 17            |
|                                  | 125E-2CL-8.25  | —                  | 125E | 17.38"          | 16.13"          | 80,000                             | 18            |
|                                  | 150E-2CL-8.25  |                    | 150E |                 |                 |                                    | 18            |
|                                  | 175E-2CL-8.25  |                    | 175E |                 |                 |                                    | 18            |
|                                  | 200E-2CL-8.25  |                    | 200E |                 |                 |                                    | 18            |
|                                  | 225E-2CL-8.25  |                    | 225E |                 |                 |                                    | 18            |
|                                  | 250E-2CL-8.25  |                    | 250E |                 |                 |                                    | 18            |
|                                  | 300E-2CL-8.25  |                    | 300E |                 |                 |                                    | 18            |
|                                  | 350E-3CL-8.25  |                    | 350E |                 |                 |                                    | 19            |

| <b>RATED</b>                     | Catalog Number | Old Catalog Number | Size | Dim. A (inches) | Dim. B (inches) | Max Interrupting Rating RMS (Asym) | Figure Number |
|----------------------------------|----------------|--------------------|------|-----------------|-----------------|------------------------------------|---------------|
| <b>15.5 Max. KV</b><br>Clip Lock | 10E-1CL-15.5   | —                  | 10E  | 19.8"           | 18.1"           | 60,000                             | 17            |
|                                  | 15E-1CL-15.5   |                    | 15E  |                 |                 |                                    | 17            |
|                                  | 20E-1CL-15.5   |                    | 20E  |                 |                 |                                    | 17            |
|                                  | 25E-1CL-15.5   |                    | 25E  |                 |                 |                                    | 17            |
|                                  | 30E-1CL-15.5   |                    | 30E  |                 |                 |                                    | 17            |
|                                  | 40E-1CL-15.5   |                    | 40E  |                 |                 |                                    | 17            |
|                                  | 50E-1CL-15.5   |                    | 50E  |                 |                 |                                    | 17            |
|                                  | 65E-1CL-15.5   | —                  | 65E  | 22.81"          | 21.13"          | 60,000                             | 17            |
|                                  | 80E-1CL-15.5   |                    | 80E  |                 |                 |                                    | 17            |
|                                  | 100E-1CL-15.5  |                    | 100E |                 |                 |                                    | 17            |
|                                  | 125E-2CL-15.5  | —                  | 125  | 22.81"          | 19.1"           | 60,000                             | 18            |
|                                  | 150E-3CL-15.5  |                    | 150E |                 |                 |                                    | 19            |
|                                  | 175E-3CL-15.5  |                    | 175E |                 |                 |                                    | 19            |
|                                  | 200E-3CL-15.5  |                    | 200E |                 |                 |                                    | 19            |
|                                  | 225E-3CL-15.5  |                    | 225E |                 |                 |                                    | 19            |
| 250E-3CL-15.5                    | 250E           |                    | 19   |                 |                 |                                    |               |
| 300E-3CL-15.5                    | 300E           |                    | 19   |                 |                 |                                    |               |