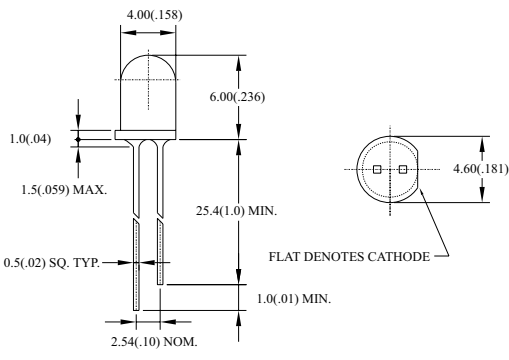
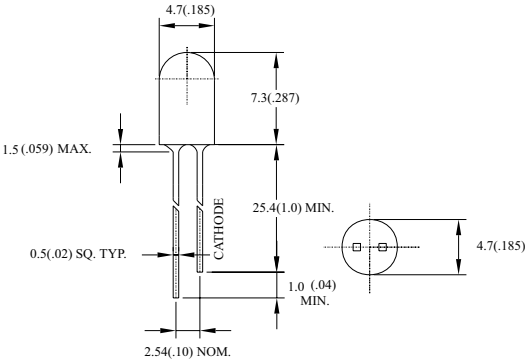
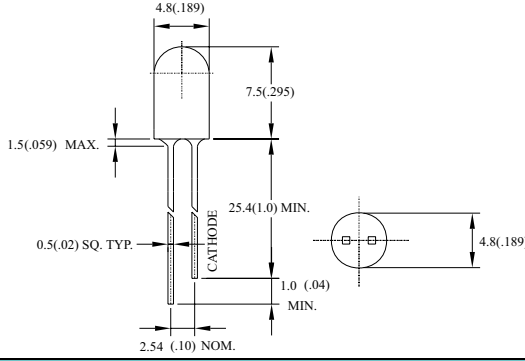
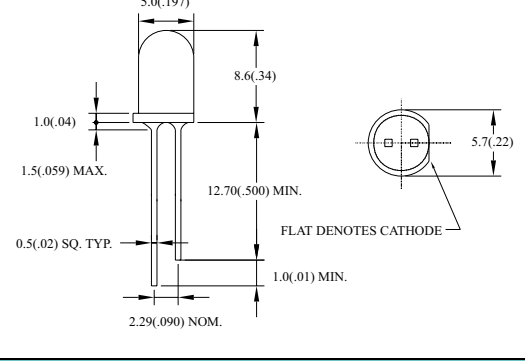
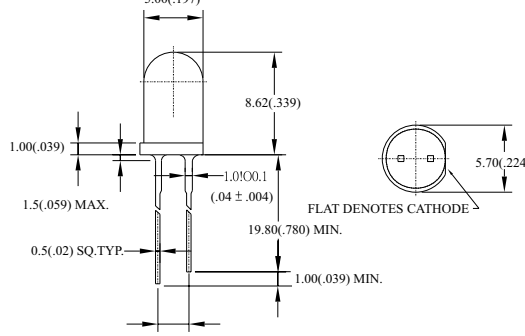
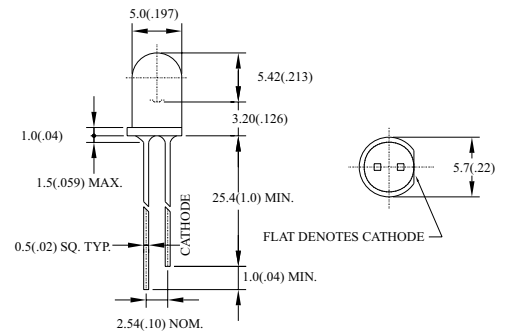
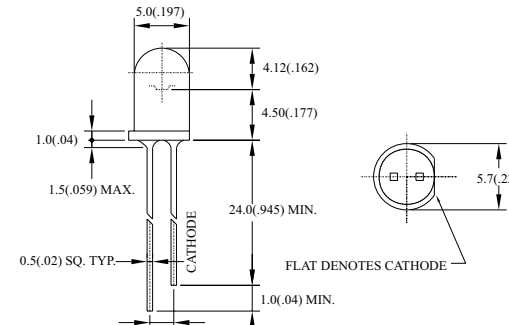
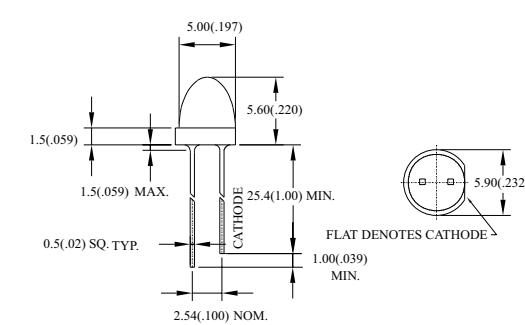




STANDARD LED LAMPS(ROUND TYPES)

Package	Part No.	Chip		Lens Appearance	Absolute Maximum Ratings				Electro-optical Data(At 20mA)			Viewing Angle 2θ 1/2 (deg)	Drawing No.
		Material/ Emitted Color	Peak Wave Length λ p (nm)		Δ λ (nm)	Pd (mw)	If (mA)	Peak (mA)	Vf (V)		Iv (mcd)		
									Typ	Max	Typ.		
Standard 1.0" Lead 4.0 φ	BL-B1132	GaAsP/GaAs/ Red	655	Red Diffused	40	80	40	200	1.7	2.0	9.0	55	L-033
	BL-B5132	GaP/GaP/ Bright Red	700		90	40	15	50	2.2	2.6	12.0		
	BL-B4532	GaAsP/GaP/ Hi-Eff Red	635		45	80	30	150	2.0	2.6	70.0		
	BL-B2132	GaP/GaP/ Green	568	Green Diffused	30	80	30	150	2.2	2.6	70.0		
	BL-B3132	GaAsP/GaP/ Yellow	585	Yellow Diffused	35	80	30	150	2.1	2.6	60.0		
	BL-B4132	GaAsP/GaP/ Orange	635	Orange Diffused	45	80	30	150	2.0	2.6	70.0		
Medium Profile Flangeless 1.0" Lead 4.7 φ	BL-B4632	GaAsP/GaP/ Hi-Eff Red	635	Red Trans	45	80	30	150	2.0	2.6	120.0	35	L-034
	BL-B4533	GaAsP/GaP/ Hi-Eff Red	635	Red Diffused	45	80	30	150	2.0	2.6	80.0	40	
	BL-B2133	GaP/GaP/ Green	568	Green Diffused	30	80	30	150	2.2	2.6	80.0		
	BL-B3133	GaAsP/GaP/ Yellow	585	Yellow Diffused	35	80	30	150	2.1	2.6	70.0		
	BL-B4133	GaAsP/GaP/ Orange	635	Orange Diffused	45	80	30	150	2.0	2.6	80.0		
	BL-B3333	GaAsP/GaP/ Yellow	585	Water Clear	35	80	30	150	2.1	2.6	100.0	30	
BL-B2333	GaP/GaP/ Green	568	30		80	30	150	2.2	2.6	130.0			
BL-B4333	GaAsP/GaP/ Orange	635	45		80	30	150	2.0	2.6	130.0			
Medium Profile Flangeless 1.0" Lead 4.8 φ	BL-B1133N	GaAsP/GaAs/ Red	655	Red Diffused	40	80	40	200	1.7	2.0	15.0	40	L-035
	BL-B5133N	GaP/GaP/ Bright Red	700		90	40	15	50	2.2	2.6	25.0		
	BL-B4533N	GaAsP/GaP/ Hi-Eff Red	635		45	80	30	150	2.0	2.6	80.0		
	BL-B2133N	GaP/GaP/ Green	568	Green Diffused	30	80	30	150	2.2	2.6	80.0		
	BL-B3133N	GaAsP/GaP/ Yellow	585	Yellow Diffused	35	80	30	150	2.1	2.6	70.0		
	BL-B2433N	GaP/GaP/ Green	568	Green Trans	30	80	30	150	2.2	2.6	130.0		
T-13/4 Standard 0.5"Lead 5.0 φ	BL-B3433N	GaAsP/GaP/ Yellow	585	Yellow Trans	35	80	30	150	2.1	2.6	100.0	30	L-036
	BL-B4524	GaAsP/GaP/ Hi-Eff Red	635	Red Diffused	45	80	30	150	2.0	2.6	25.0	40	
	BL-B2124	GaP/GaP/ Green	568	Green Diffused	30	80	30	150	2.2	2.6	25.0		
	BL-B3124	GaAsP/GaP/ Yellow	585	Yellow Diffused	35	80	30	150	2.1	2.6	20.0		
	BL-B4124	GaAsP/GaP/ Orange	635	Orange Diffused	45	80	30	150	2.0	2.6	25.0		
	BL-B2424	GaP/GaP/ Green	568	Green Trans	30	80	30	150	2.2	2.6	65.0		
T-13/4 Standard 0.8"Lead 5.0 φ	BL-B3424	GaAsP/GaP/ Yellow	585	Yellow Trans	35	80	30	150	2.1	2.6	50.0	30	L-037
	BL-B2324	GaP/GaP / Green	568	Water Clear	30	80	30	150	2.2	2.6	65.0		
	BL-B1114	GaAsP/GaAs/ Red	655	Red Diffused	40	80	40	200	1.7	2.0	4.0		
	BL-B5114	GaP/GaP/ Bright Red	700		90	40	15	50	2.2	2.6	6.0		
	BL-B4114	GaAsP/GaP/ Orange	635		45	80	30	150	2.0	2.6	50.0		
	BL-B2114	GaP/GaP/ Green	568	Green Diffused	30	80	30	150	2.2	2.6	50.0		
BL-B3114	GaAsP/GaP/ Yellow	585	Yellow Diffused	35	80	30	150	2.1	2.6	40.0			
BL-B2414	GaP/GaP/ Green	568	Green Trans	30	80	30	150	2.0	2.6	55.0			
T-13/4 Standard 1.0"Lead 5.0 φ	BL-B4614	GaAsP/GaP/ Hi-Eff Red	635	Red Trans	45	80	30	150	2.0	2.6	55.0	35	L-038
	BL-B1134	GaAsP/GaAs/ Red	655	Red Diffused	40	80	40	200	1.7	2.0	8.0	35	
	BL-B5134	GaP/GaP/ Bright Red	700		90	40	15	50	2.2	2.6	12.0		
	BL-B4534	GaAsP/GaP/ Hi-Eff Red	635		45	80	30	150	2.0	2.6	80.0		
	BL-B2134	GaP/GaP/ Green	568	Green Diffused	30	80	30	150	2.2	2.6	80.0		
	BL-B3134	GaAsP/GaP/ Yellow	585	Yellow Diffused	35	80	30	150	2.1	2.6	70.0		
T-13/4 Wide Viewing Angle 1.0"Lead 5.0 φ	BL-B2434	GaP/GaP/ Green	568	Green Trans	30	80	30	150	2.0	2.6	200	12	L-039
	BL-B4634	GaAsP/GaP/ Yellow	635	Red Trans	45	80	30	150	2.0	2.6	200		
	BL-B1134-1	GaAsP/GaAs/ Red	655	Red Diffused	40	80	40	200	1.7	2.0	5.0		
	BL-B5134-1	GaP/GaP/ Bright Red	700		90	40	15	50	2.2	2.6	8.0		
	BL-B4534-1	GaAsP/GaP/ Hi-Eff Red	635		45	80	30	150	2.0	2.6	65.0		
	BL-B2134-1	GaP/GaP/ Green	568	Green Diffused	30	80	30	150	2.2	2.6	65.0		
BL-B3134-1	GaAsP/GaP/ Yellow	585	Yellow Diffused	35	80	30	150	2.1	2.6	55.0			
BL-B2434-1	GaP/GaP/ Green	568	Green Trans	30	80	30	150	2.0	2.6	160			
T-13/4 Low Profile 1.0"Lead 5.0 φ	BL-B4334A	GaAsP/GaP/ Orange	635	Water Clear	45	80	30	150	2.0	2.6	60.0	30	L-040
	BL-B2334A	GaP/GaP/ Green	568		30	80	30	150	2.0	2.6	60.0		
	BL-B3334A	GaAsP/GaP/ Yellow	585		35	80	30	150	2.1	2.6	50.0		
	BL-B4434A	GaAsP/GaP/ Orange	635	Orange Trans	45	80	30	150	2.0	2.6	60.0		
BL-B2434A	GaP/GaP/ Green	568	Green Trans	30	80	30	150	2.0	2.6	60.0			

Remark : 1.Hi-Eff Red / High-Efficiency Red.
 2. Trans / Transparent.
 3. 2 θ 1/2 The off-axis angle at which the luminous intensity is half the axial luminous intensity.

L-033 BL-Bxx32 Series	L-034 BL-Bxx33 Series
	
L-035 BL-Bxx33N Series	L-036 BL-Bxx24 Series
	
L-037 BL-Bxx14 Series	L-038 BL-Bxx34 Series
	
L-039 BL-Bxx34-1 Series	L-040 BL-Bxx34A Series
	

Notes : 1.All Dimensions are in millimeters (inches).
2.Tolerance is $\pm 0.25\text{mm}$ (.010").