



DUAL PRECISION CMOS VOLTAGE COMPARATOR WITH OPEN DRAIN DRIVER

GENERAL DESCRIPTION

The ALD2301A/ALD2301B/ALD2301/ALD2301C is a monolithic high performance dual voltage comparator built with advanced silicon gate CMOS technology. It features very high typical input impedance of $10^{12}\Omega$; low input bias current of 10pA; fast response time of 300ns; very low power dissipation of 55 μ A per comparator; and single +5V or dual \pm 5V power supply operation.

The input voltage range includes ground, making this comparator ideal for low level signal detection with high source impedance. The outputs are open-drain configuration, allowing maximum application flexibility, such as wired-OR connection. The outputs can be connected to a higher external voltage than V+.

The ALD2301A/ALD2301B/ALD2301/ALD2301C is ideal for a great variety of voltage comparator applications, especially low level signal detection circuits requiring low standby power, yet retaining high output current capability as needed.

FEATURES

- Fanout of 30 LS TTL loads
- Low supply current of 110 μ A typical
- Functional equivalent to LM193 industry standard comparators
- Extremely low input bias currents -- 10pA typical
- Virtually eliminates source impedance effects
- Low operating supply voltage of 3V to 12V
- Single +5V and dual supply \pm 5V operation
- High speed for both large signal and low level signals -- 300ns typical for TTL inputs
- CMOS, NMOS and TTL compatible
- Wired-OR open drain outputs
- High output sinking current -- 60mA typical
- Low supply current spikes

ORDERING INFORMATION

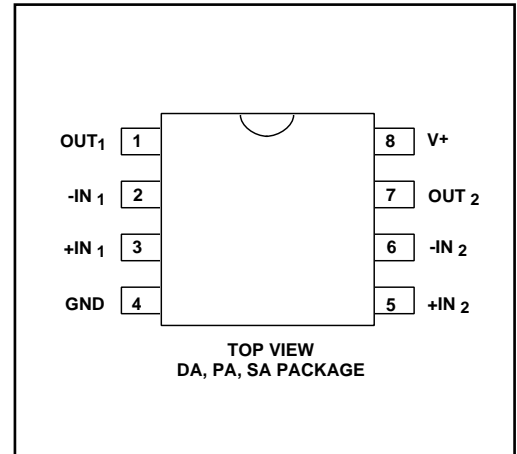
Operating Temperature Range *		
-55°C to +125°C	0°C to +70°C	0°C to +70°C
8-Pin CERDIP Package	8-Pin Small Outline Package (SOIC)	8-Pin Plastic Dip Package
ALD 2301A DA	ALD2301A SA	ALD2301A PA
ALD 2301B DA	ALD 2301B SA	ALD2301B PA
ALD 2301 DA	ALD 2301 SA	ALD2301 PA
ALD 2301C DA	ALD 2301C SA	ALD2301C PA

* Contact factory for industrial temperature range

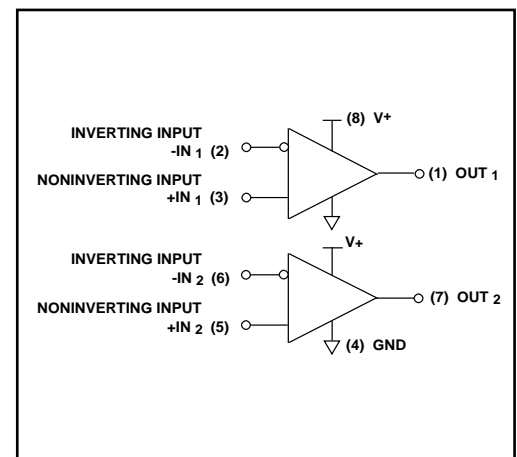
APPLICATIONS

- High source impedance voltage comparison circuits
- Dual limit window comparator
- Power supply voltage monitor
- Photo-detector sensor circuit
- Relay or LED driver
- Oscillators
- Battery operated instruments
- Remote signal detection

PIN CONFIGURATION



BLOCK DIAGRAM



ABSOLUTE MAXIMUM RATINGS

Supply voltage, V^+ _____ 13.2V
 Differential input voltage range _____ -0.3V to $V^+ + 0.3V$
 Power dissipation _____ 600 mW
 Operating temperature range PA, SA package _____ 0°C to +70°C
 DA package _____ -55°C to +125°C
 Storage temperature range _____ -65°C to +150°C
 Lead temperature, 10 seconds _____ +260°C

OPERATING ELECTRICAL CHARACTERISTICS

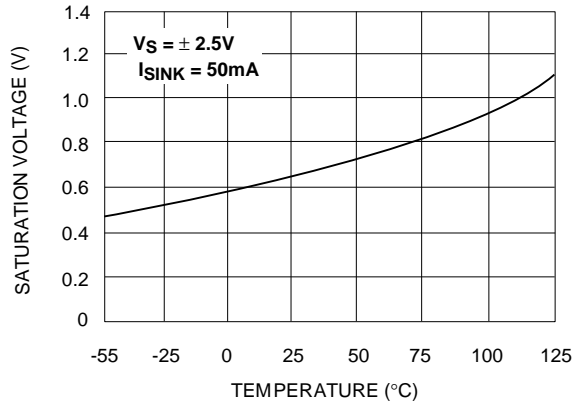
$T_A = 25^\circ\text{C}$ $V^+ = +5V$ unless otherwise specified

Parameter	Symbol	2301			2301A			2301B			2301C			Unit	Test Conditions
		Min	Typ	Max	Min	Typ	Max	Min	Typ	Max	Min	Typ	Max		
Voltage Supply	V^+	3		12	3		12	3		12	3		12	V	
Supply Current	I_S		110	180		110	180		110	180		110	180	μA	$R_{LOAD} = \infty$
Voltage Gain	A_{VD}	50	150		50	150		50	150		50	150		V/mV	$R_{LOAD} \geq 15K\Omega$
Input Offset Voltage	V_{OS}			10			2			5			20	mV	$R_{LOAD} \geq 1.5K\Omega$
Input Offset Current ¹	I_{OS}		10	200		10	200		10	200		10	400	pA	
Input Bias Current ¹	I_B		10	200		10	200		10	200		10	400	pA	
Common Mode Input Voltage Range ²	V_{ICR}	-0.3		$V^+ - 1.5$	-0.3		$V^+ - 1.5$	-0.3		$V^+ - 1.5$	-0.3		$V^+ - 1.5$	V	
Low Level Output Voltage	V_{OL}		0.15	0.4		0.15	0.4		0.15	0.4		0.15	0.4	V	$I_{SINK} = 12\text{mA}$ $V_{INPUT} = 1V$ Differential
Low Level Output Current	I_{OL}	24	60		24	60		24	60		24	60		mA	$V_{OL} = 1.0 V$
High Level Leakage Current	I_{OH}		.01	20		.01	20		.01	20		.01	20	nA	$V_{OH} = 5.0 V$
Response Time ²	t_{RP}		650			650			650			650		ns	$R_L = 5.1K\Omega$ $C_L = 15\text{pF}$ 100mV Input Step/5mV Overdrive
			300			300			300			300		ns	$R_L = 5.1K\Omega$ $C_L = 15\text{pF}$ TTL - Level Input Step

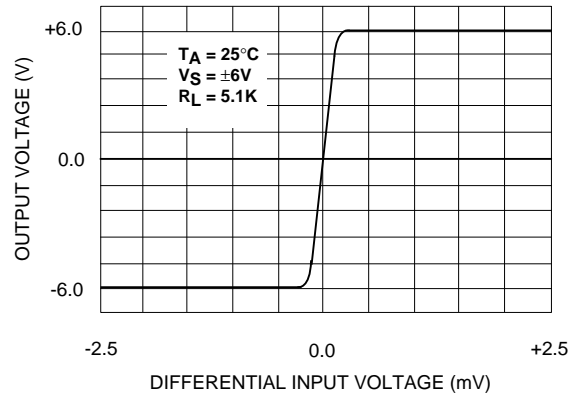
Notes : ¹ Consists of junction leakage currents.
² Sample tested parameters.

TYPICAL PERFORMANCE CHARACTERISTICS

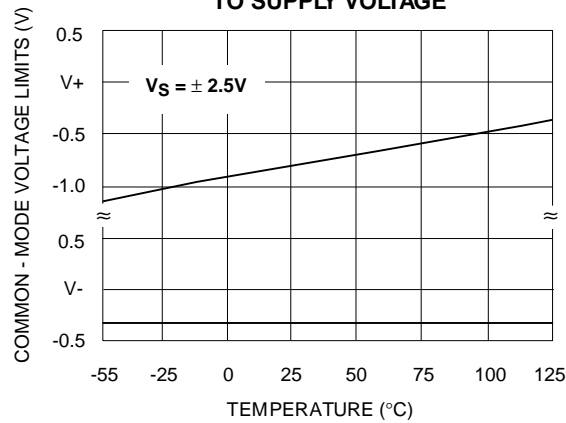
SATURATION VOLTAGE vs. TEMPERATURE



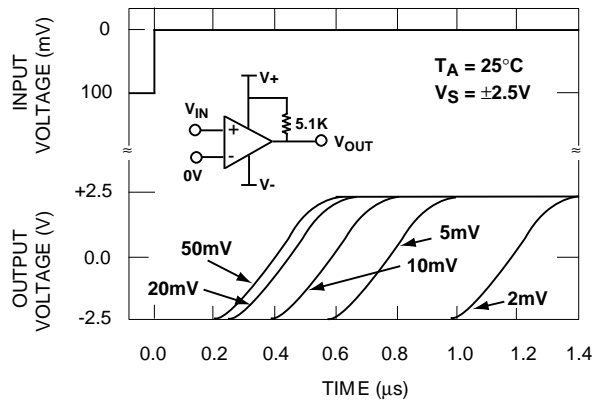
TRANSFER FUNCTION



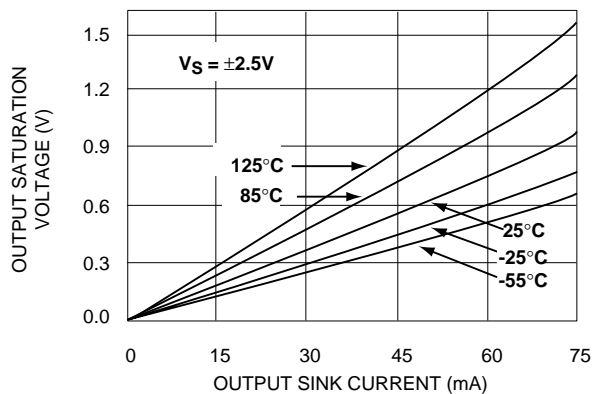
COMMON - MODE VOLTAGE REFERRED TO SUPPLY VOLTAGE



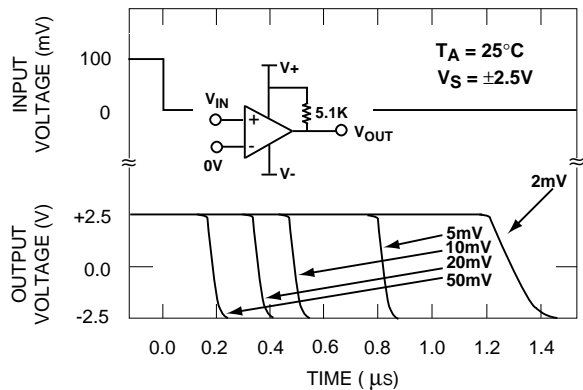
RESPONSE TIME FOR VARIOUS INPUT OVERDRIVES



SATURATION VOLTAGE vs. SINK CURRENT

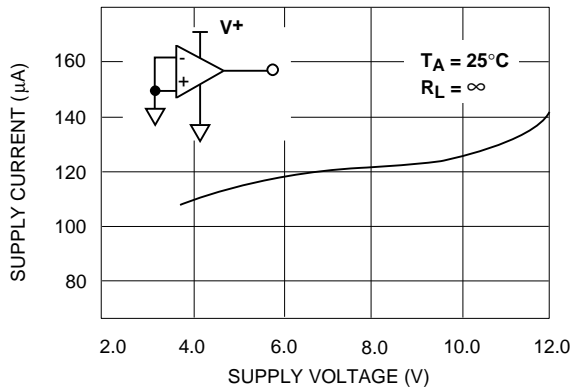


RESPONSE TIME FOR VARIOUS INPUT OVERDRIVES

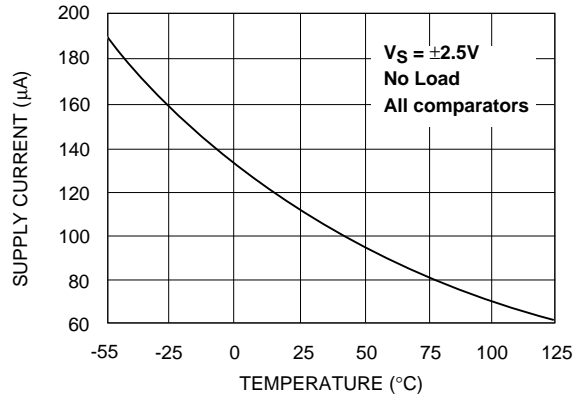


TYPICAL PERFORMANCE CHARACTERISTICS

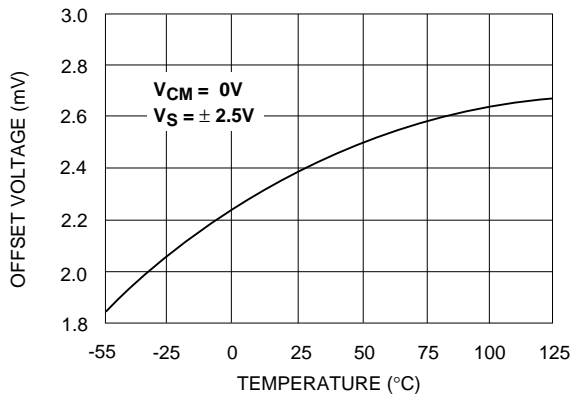
TOTAL SUPPLY CURRENT vs. TOTAL SUPPLY VOLTAGE



SUPPLY CURRENT vs. TEMPERATURE

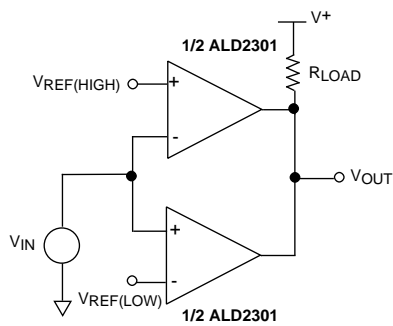


INPUT OFFSET VOLTAGE vs. TEMPERATURE



TYPICAL APPLICATIONS

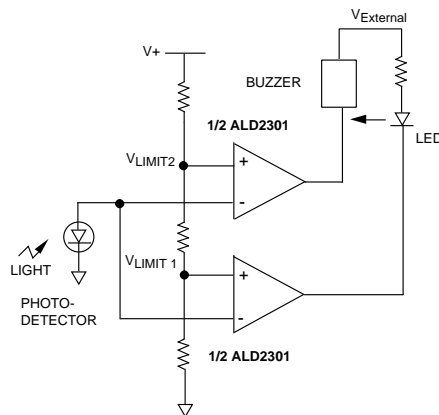
DUAL LIMIT WINDOW COMPARATOR



MINIMUM $R_{LOAD} = 1.5\text{k}\Omega$

OUTPUT HIGH FOR $V_{IN} < V_{REF(HIGH)}$
AND $V_{IN} > V_{REF(LOW)}$

DUAL LIMIT PHOTO-DETECTOR MONITOR



LED turns on as photo-detector voltage reaches V_{LIMIT1} . Both LED and horn turns on as photo-detector voltage reaches V_{LIMIT2} .
 $V_{EXTERNAL} = +12\text{V}$ $V_+ = +5\text{V}$.

VOLTAGE COMPARATOR WITH COMPLEMENTARY OUTPUTS

