

# ADAM TECH

ADAM TECHNOLOGIES INC.

## INTRODUCTION:

Adam Tech Straight PCB Tail Connectors are ideal for rack and panel and internal connections. Their industry standard configuration provide reliable mating with a variety of options. Our design conforms to all applicable requirements of MIL-C-24308 D, ISO 2110, EIA standards RS232, RS442, RS449 and IEC 48-B-106 standards. Our low profile metal shell provides long term cycle life and EMI/ESD reductions which meet FCC Part, Subpart J emission limits.

## FEATURES:

- Dimples on metal male shell ensure continuity with receptacle, while providing complete shielding
- Multiple contact plating options
- Precision twin contact mating sections provide extended cycle life
- Automated assembly for consistent quality and lower cost
- Available in standard and high profile versions

## MATING OPTIONS:

Mates with Adam Tech D-Sub Series DPD, DSD, DPW, DSW, DSW and all industry standard D-Subminiature Connectors

## SPECIFICATIONS:

### Material:

Shell: Steel, tin-plated

Optional finish: Yellow chromate over zinc

Insulator: Polybutylene Terephthalate (PBT), glass reinforced thermoplastic, rated UL 94V-0

Insulator color: Black

Optional color: White

Contacts: Plug - Brass; Socket - Phosphor Bronze

Rivet insert: Brass, nickel-plated

### Plating:

5  $\mu$ m gold nom. (optional 30  $\mu$ m) to MIL-G-45204, Type II, Grade C on contact area over 50  $\mu$ m nickel underplate to QQ-N-290, Class 2, Grade C, gold flash on solder-pins

### Electrical:

Operation voltage: 600 VDC max

Current rating: 5 Amps max

Contact resistance: 20 m $\Omega$  max

Insulation resistance: 5000 M $\Omega$  min @ 1000 VDC between adjacent contacts (75° F and 55% R.H.)

Dielectric withstanding voltage: 1000 VAC rms (sea level)

Capacitance: 2 pF max between adjacent contacts

### Mechanical:

Insertion force: 10 ozs. max with .041 dia. pin

Withdrawal force: 7.1 ozs. min with .039 dia. pin

### Environmental:

Operating temperature: -65°C to +125°C

## ACCESSORIES:

Dustcovers, hardware Page 69

## PACKAGING:

Anti-static plastic trays

## APPROVALS AND CERTIFICATIONS:

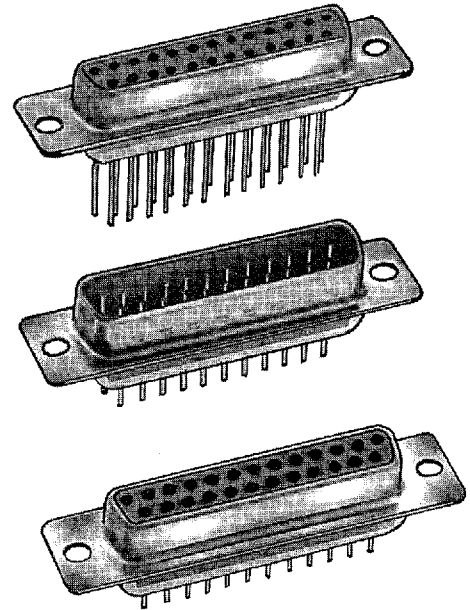
Recognized under the component program

of Underwriters Laboratories, Inc. No. E167232

Certified by Canadian Standards Association No. LR75112



# D-SUBMINIATURE STRAIGHT PCB TAIL DPT / DST / DPE / DSE SERIES



## ORDERING INFORMATION

DB25

ST

1

SL

### SHELL SIZE/ POSITIONS

DE09 = 9 Position

DA15 = 15 Position

DB25 = 25 Position

DC37 = 37 Position

DD50 = 50 Position

### MOUNTING OPTIONS

Blank = .120"

Mounting Holes

SL = Riveted #4-40

Clinch Nuts

JS = Riveted #4-40

Jackscrows

BL = Riveted #4-40

Standoffs with

Boardlocks

### CONTACT TYPE

PT = Plug, Straight PCB  
Tail, Standard Profile

ST = Socket, Straight  
PCB Tail, Standard  
Profile

PE = Plug, Straight PCB  
Tail, High Profile

SE = Socket, Straight  
PCB Tail, High Profile

### TERMINAL LENGTH

1 = Standard tail

length for

.062" - .125"

PC Boards

(E = .180")

2 = Wire wrap tail

(PT/ST contact

type only)

(E = .500")

## OPTIONS:

Add as suffix to basic part number

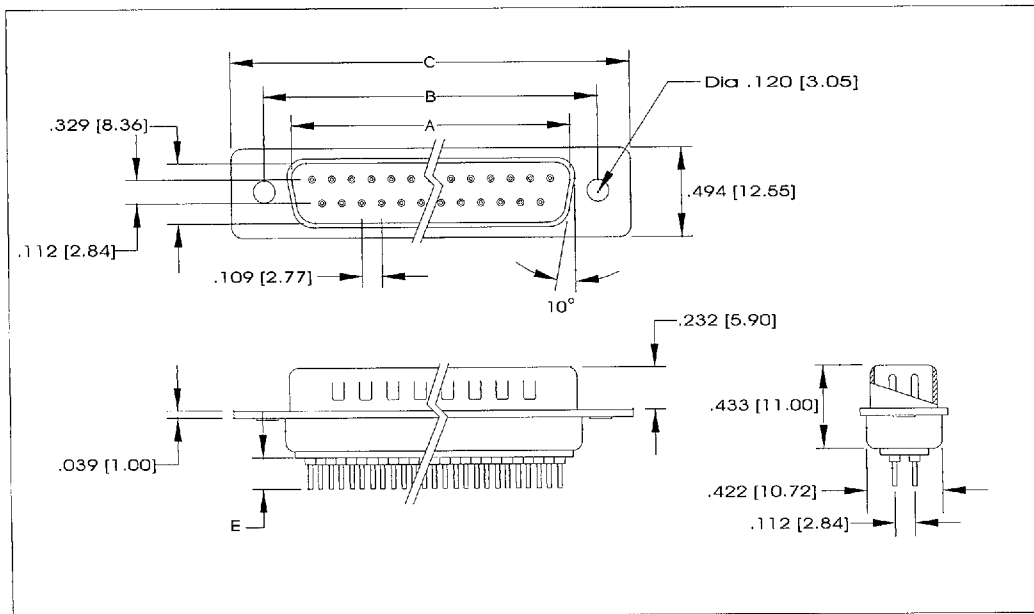
30 = 30  $\mu$ m gold plating in contact area

YW = Yellow chromate finish over zinc plated steel shell

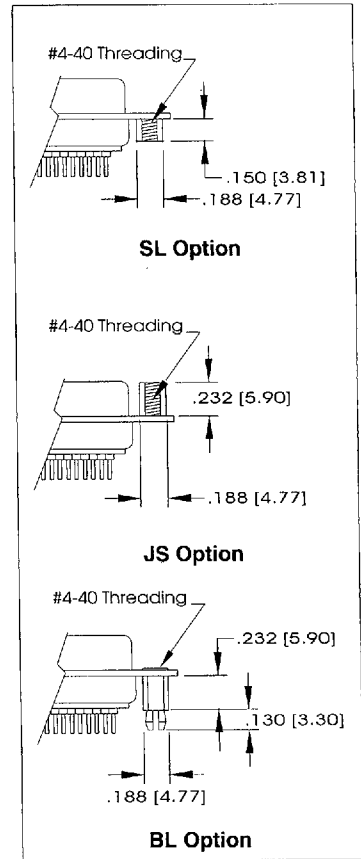
EMI = Ferrite filtered version for EMI/RFI Suppression

9017931 0000042 807

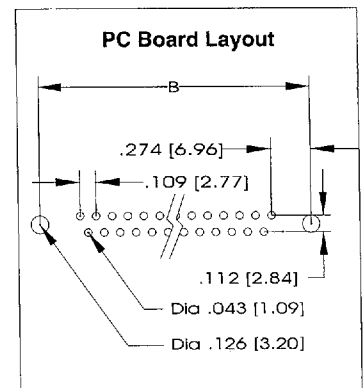
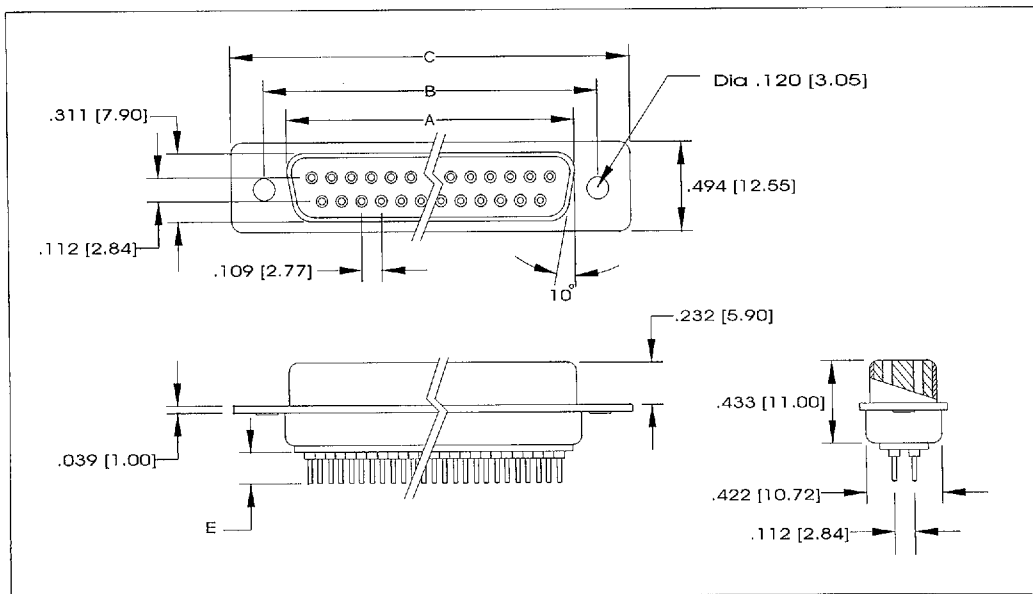
### PLUG ASSEMBLY



### MOUNTING OPTIONS



### SOCKET ASSEMBLY

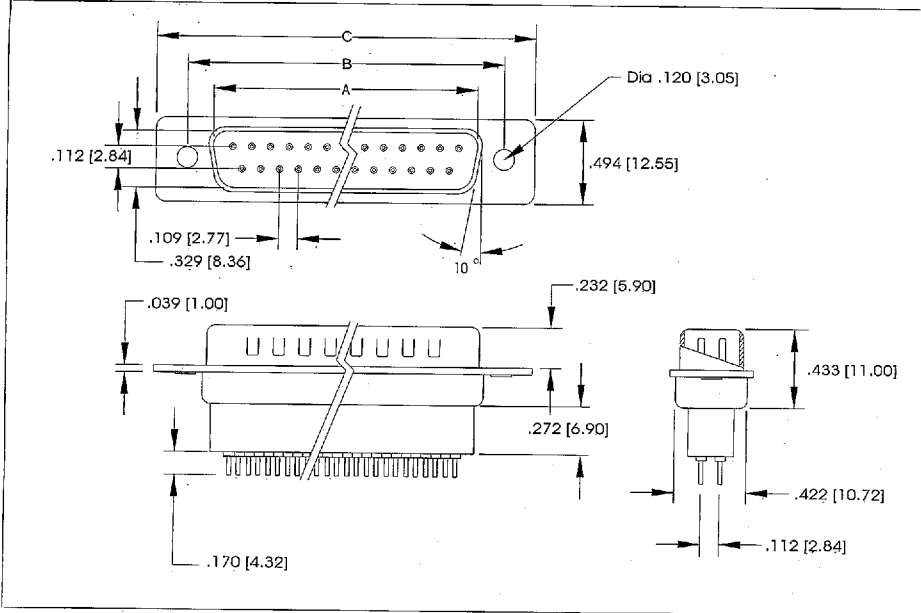


Unit: Inch / mm

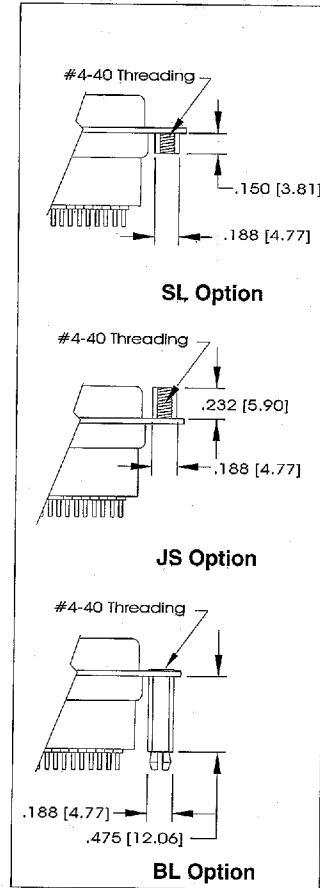
Dimensional: Socket Assembly					Dimensional: Plug Assembly				
CONTACTS	A	B	C	D	CONTACTS	A	B	C	D
9	.643 (16.33)	.984 (24.99)	1.213 (30.81)	.759 (19.28)	9	.666 (16.92)	.984 (24.99)	1.213 (30.81)	.759 (19.28)
15	.971 (24.66)	1.312 (33.32)	1.541 (39.14)	1.083 (27.51)	15	.994 (25.25)	1.312 (33.32)	1.541 (39.14)	1.083 (27.51)
25	1.511 (38.38)	1.852 (47.04)	2.088 (53.04)	1.625 (41.30)	25	1.534 (38.96)	1.852 (47.04)	2.088 (53.04)	1.625 (41.30)
37	2.159 (54.84)	2.500 (63.50)	2.729 (69.32)	2.272 (57.71)	37	2.182 (55.42)	2.500 (63.50)	2.729 (69.32)	2.272 (57.71)
50	2.064 (52.43)	2.406 (61.11)	2.635 (66.93)	2.178 (55.32)	50	2.079 (52.81)	2.406 (61.11)	2.635 (66.93)	2.178 (55.32)

9017931 0000043 743

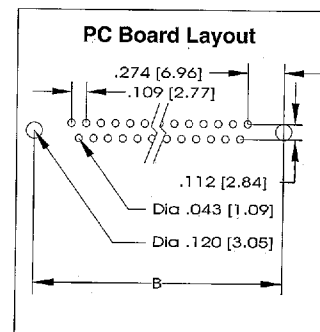
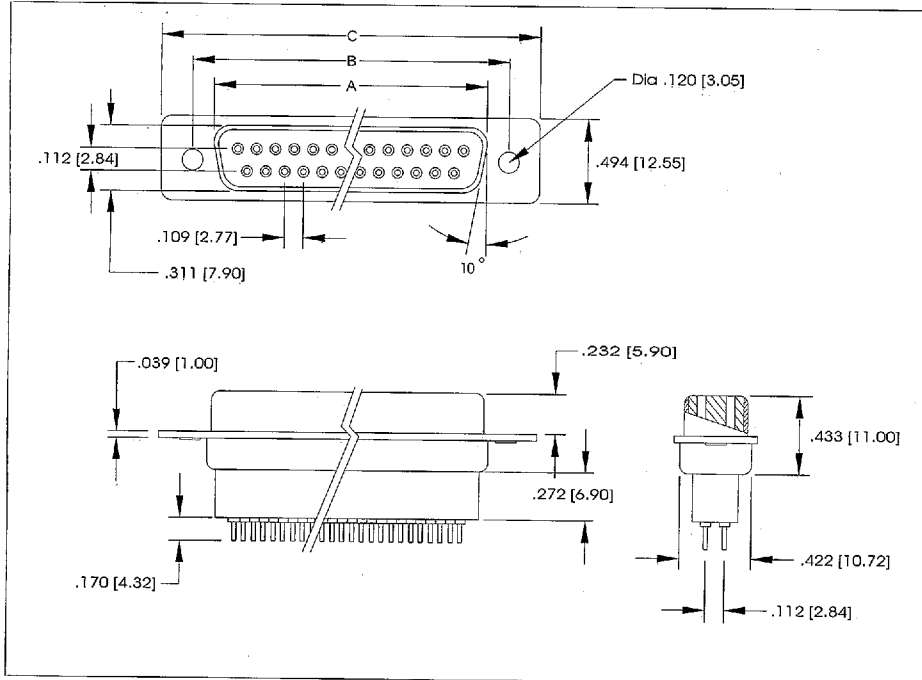
### PLUG ASSEMBLY



### MOUNTING OPTIONS



### SOCKET ASSEMBLY



Unit: Inch / mm

Dimensional: Socket Assembly				Dimensional: Plug Assembly			
CONTACTS	A	B	C	CONTACTS	A	B	C
9	.643 (16.33)	.984 (24.99)	1.213 (30.81)	9	.666 (16.92)	.984 (24.99)	1.213 (30.81)
15	.971 (24.66)	1.312 (33.32)	1.541 (39.14)	15	.994 (25.25)	1.312 (33.32)	1.541 (39.14)
25	1.511 (38.38)	1.852 (47.04)	2.088 (53.04)	25	1.534 (38.96)	1.852 (47.04)	2.088 (53.04)
37	2.159 (54.84)	2.500 (63.50)	2.729 (69.32)	37	2.182 (55.42)	2.500 (63.50)	2.729 (69.32)
50	2.064 (52.43)	2.406 (61.11)	2.635 (66.93)	50	2.079 (52.81)	2.406 (61.11)	2.635 (66.93)

9017931 0000044 68T