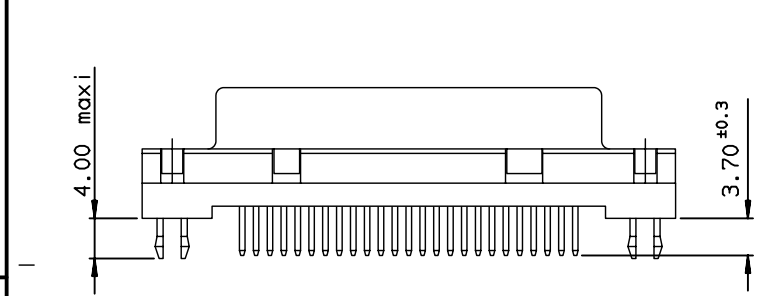
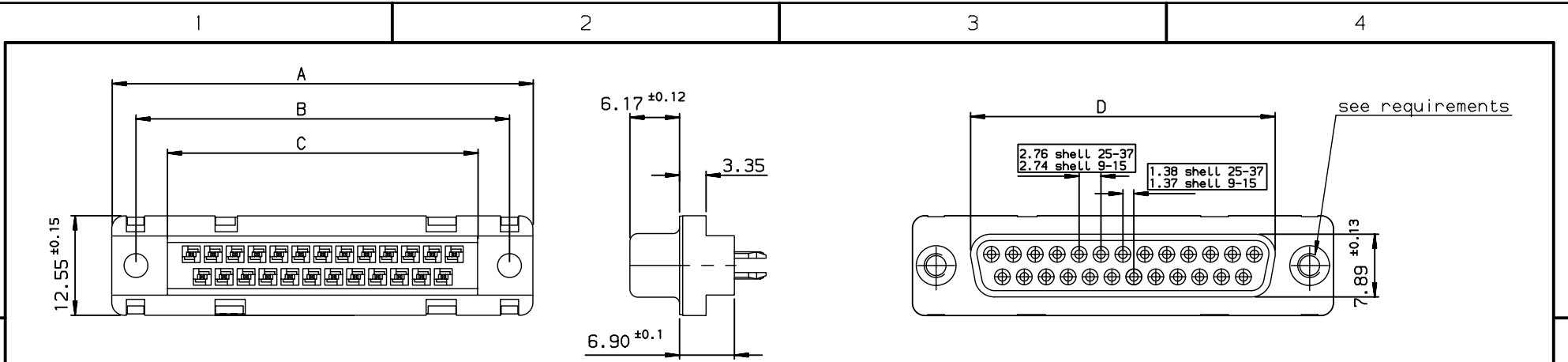


Copyright FCI, FCJ



SHELL	A±0.38	B±0.12	C±0.10	D±0.25	E±0.07	PART NUMBER
09	30.81	24.99	16.96	16.21	10.96	D09S34B.GX00
15	39.14	33.32	25.18	24.54	19.18	D15S34B.GX00
25	53.03	47.04	39.12	38.25	33.12	D25S34B.GX00
37	69.32	63.50	55.68	54.71	49.68	D37S34B.GX00

REQUIREMENTS

Technical characteristics:
 Shell: steel tin plated
 Insulators: self-extinguishing thermoplastic, ULClass94V0
 Contacts size 20: phosphor bronze, gold on mating end, bright tin on termination end over nickel on entire contact
 Cycles: >500 for protection 6 and >200 for type 4
 gauge retention force: 0.20N mini

Accessories:
 Threaded inserts: 4.40 with harpoon, tin plated
 retention against torque 0.70N.m minimum

Electrical characteristics:

max. current rating: 5A
 Test voltage: 1000V
 Rated voltage: 300V
 Contact resistance: <10ma
 Shell resistance: <5ma
 Insulation resistance: >5000MΩ

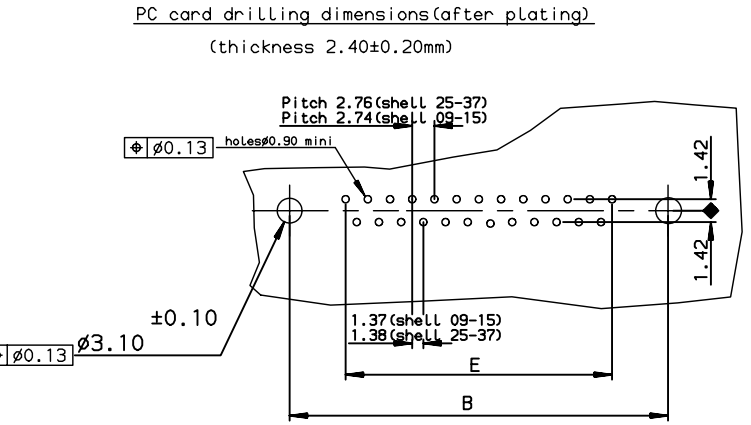
Climatic characteristics:

Operating temperature range: -55°C +125°C

Dimensions:

in accordance with MIL-C-24308C and DIN41652

Protection: 4 --> flash AU
 6 --> 0.76µ AU



European Views

www.fciconnect.com			surface ISO 1302 ✓	tolerance std ISO 406 ISO 1101	projection mm
TOLERANCES UNLESS OTHERWISE SPECIFIED					
Dr	PESSON	1995/09/15	ANGULAR	0.X ±0.1	size A3
Eng	PESSON	1995/09/15	LINEAR	0.XX ±0.1	Scale 2
Chr	LEGARE	1995/09/15	0.XX ±2'	0.XXX ±0.1	ECN LS07-0094
Appr	LEGARE	1995/09/15	Product family	SUB	Spec ref -
FCJ			title CRS F DELTA D STRAIGHT		Rev. B
			catalog no		009 C01-8646-0367
			CUSTOMER		sheet 1 of 1

rev	ecn no	dr	date
A	-	MPE	1995/09/15
B	LS07-0094	MPE	2007/04/06
-	-	-	-
-	-	-	-
-	-	-	-
-	-	-	-