

# GaAs HIGH POWER SIDE LOOK PACKAGE INFRARED EMITTING DIODE

**MIE-134A1-02**

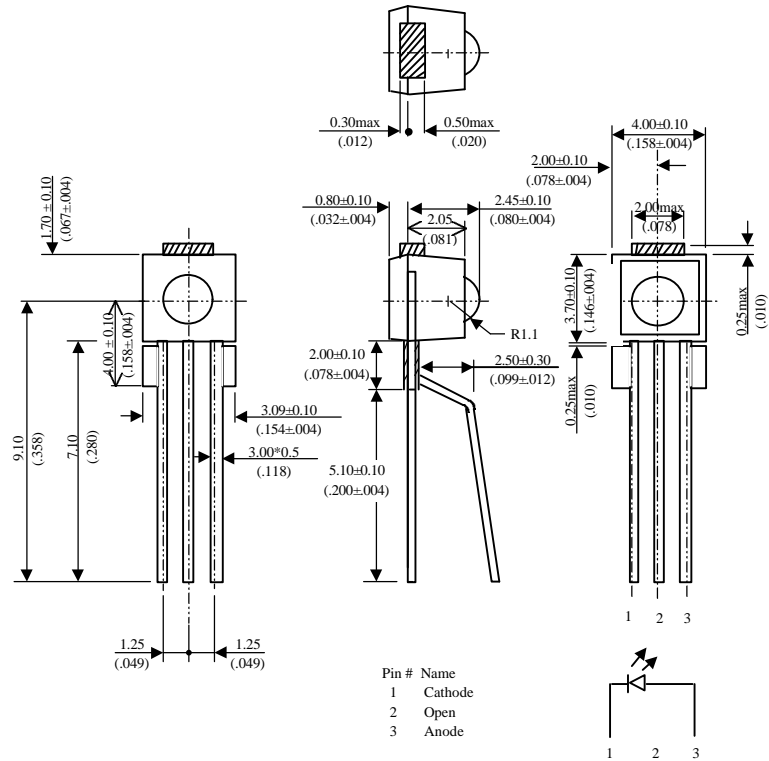
## Description

The MIE-134A1-02 is a GaAs infrared emitting diode molded in clear, lensed side looking package.

The MIE-134A1-02 provides a broad range of intensity selection .

## Package Dimensions

Unit: mm( inches )



### NOTES :

1. All dimensions are in millimeters.(inches).
2. Tolerance is  $\pm 0.25\text{mm}$  (.010") unless otherwise noted .
3. Lead spacing is measured where the leads emerge from the package.

## Features

- Selected to specific on-line intensity and radiant intensity ranges
- Low cost, plastic side looking package
- Mechanically and spectrally matched to The MID-13A45 of phototransistor .

## Absolute Maximum Ratings

@  $T_A=25^\circ\text{C}$

Parameter	Maximum Rating	Unit
Power Dissipation	75	mW
Peak Forward Current	1	A
Continuous Forward Current	50	mA
Reverse Voltage	5	V
Operating Temperature Range	-55°C to +100°C	
Storage Temperature Range	-55°C to +100°C	
Lead Soldering Temperature	260°C for 5 seconds	

**UNI**

Unity Opto Technology Co., Ltd.

12/23/1999

Optical-Electrical Characteristics

@ T<sub>A</sub>=25°C

Parameter	Test Conditions	Symbol	Min.	Typ .	Max.	Unit
Radiant Incidance	I <sub>F</sub> =20mA	E <sub>e</sub>	-	1.2	-	mW/cm <sup>2</sup>
Forward Voltage	I <sub>F</sub> =20mA	V <sub>F</sub>	-	1.25	1.35	V
Reverse Current	V <sub>R</sub> =5V	I <sub>R</sub>	-	-	100	μA
Peak Wavelength	I <sub>F</sub> =20mA	λ	-	940	-	nm
Spectral Bandwidth	I <sub>F</sub> =20mA	Δλ	-	50	-	nm
View Angle	I <sub>F</sub> =20mA	2θ <sub>1/2</sub>	-	30	-	deg .

Typical Optical-Electrical Characteristic Curves

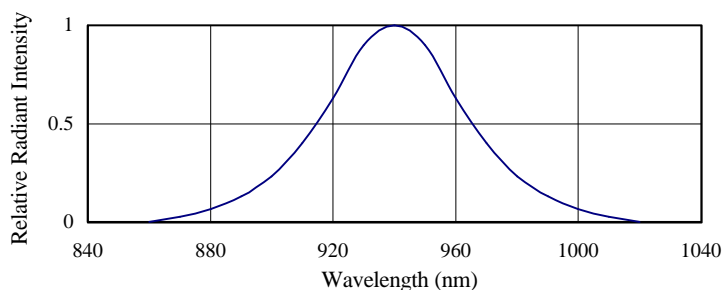


FIG.1 SPECTRAL DISTRIBUTION

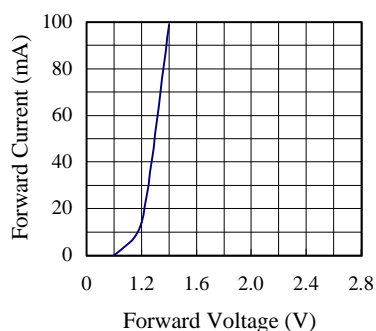


FIG.2 FORWARD CURRENT VS. FORWARD VOLTAGE

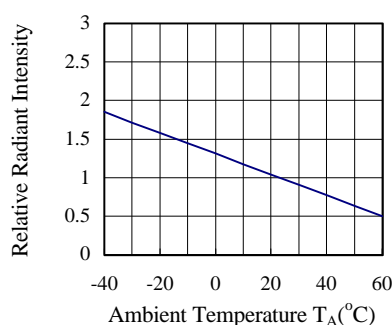


FIG.3 RELATIVE RADIANT INTENSITY VS. AMBIENT TEMPERATURE

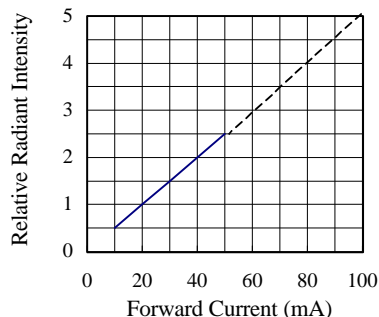


FIG.4 RELATIVE RADIANT INTENSITY VS. FORWARD CURRENT

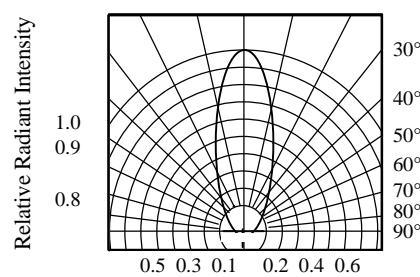


FIG.5 RADIATION DIAGRAM