

# 60mm Compact fan

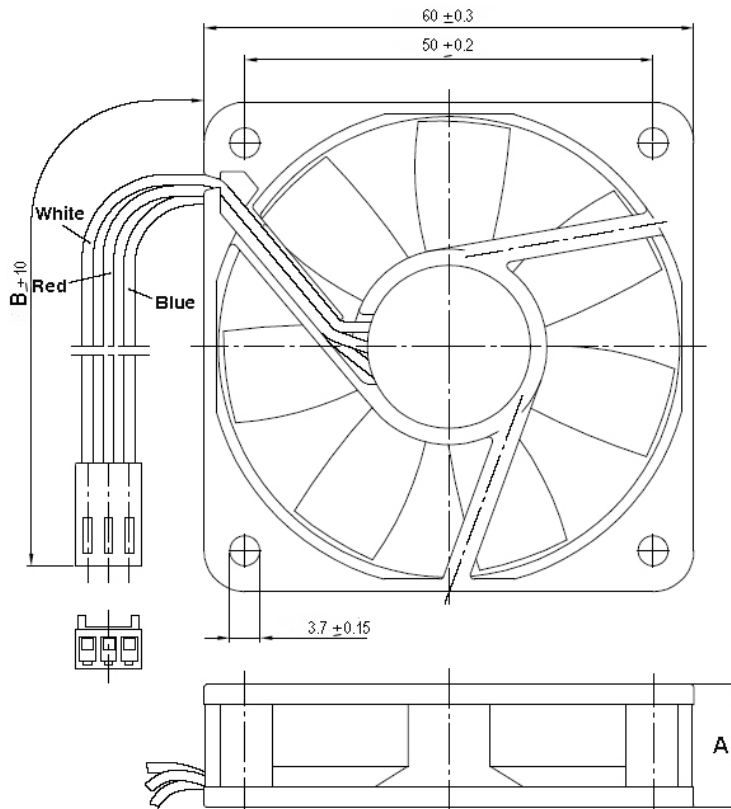


- With electronic protection against reverse polarity. The fan only operates when the polarity is correct. Impedance-protected against locked rotor and overloading.
- Fan of fibreglass reinforced plastic. PBT housing, PA impeller
- Air exhaust over struts. Rotational direction CCW looking at rotor
- Fitted with 3 pin molex connector (22-01-2035)
- Sensor signal for speed monitoring

Nominal data	Air flow @ free air	Air flow @ free air	Nominal voltage	Voltage range	Noise	Sintec-sleeve bearings	Power input	Nominal speed	Temperature range	Service life L <sub>10</sub> @20°C/ at 60°C	Dimension	Dimension
Type	m <sup>3</sup> /h	CFM	VDC	VDC	dB(A)	Yes	Watt	min <sup>-1</sup>	°C	Hours	A	B
612F/2L-640	16.8	9.9	12	11.5...13.2	16	Yes	0.4	2250	0...+70	50,000/20,000	15	308
612F/2-638	29	17.1	12	10.8...13.2	27	Yes	1.0	3900	-20...+70	50,000/20,000	15	308
612N/2GML-096	25	14.7	12	8...15	19	Yes	0.7	3000	-20...+70	80,000/32,500	25	318

subject to alterations

## Dimensions



ebm-papst UK Ltd, Chelmsford Business Park, Chelmsford, Essex, CM2 5EZ  
+44 (0)1245 68555

www.ebmpapst.co.uk