

FEATURES AND SPECIFICATIONS

Features and Benefits

- 50µ" Gold meets FCC 68 requirements
- Keying options available
- Top-covered leads meet British Telecom 4000V test
- Contacts are duplex plated after stamping, eliminating bare edges in the mating area
- Every jack must pass on-line functional tests, including hi-pot and continuity

Reference Information

Product Specification: PS-41314
 Packaging: Film pack or tray
 UL File No.: E107635
 CSA File No.: LR19980
 Mates With: WE Co. and FCC 68 plugs
 Designed In: Inches

Electrical

Voltage: 125V
 Current: 1.5A
 Contact Resistance: 10mΩ max.
 Dielectric Withstanding Voltage: 1000V AC
 Insulation Resistance: 500 MΩ min.

Mechanical

Durability: 500 cycles min.

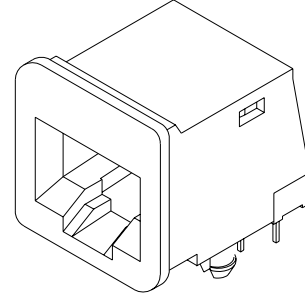
Physical

Housing: Black glass-filled polyester, UL 94V-0
 Contact: Phosphor Bronze
 Plating: 1.27µm (50µ") Gold in contact area and 1.27µm (50µ") min. Tin/Lead on solder tails both over Nickel overall
 Operating Temperature: -40 to +80°C

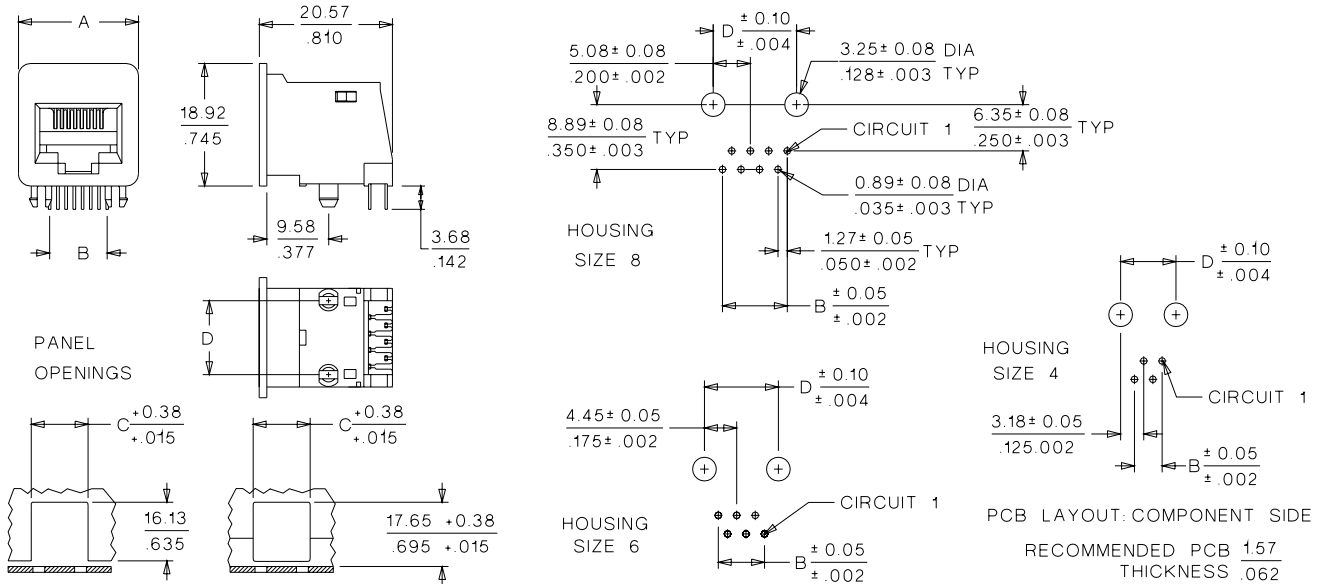
molex® Modular Jack

41314/42776

**Right Angle, Standard Profile
 Flange Mount**



CATALOG DRAWING (FOR REFERENCE ONLY)



Modular Plugs and Jacks

0

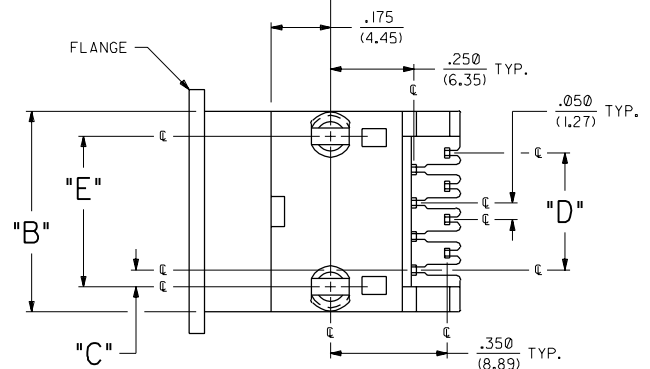
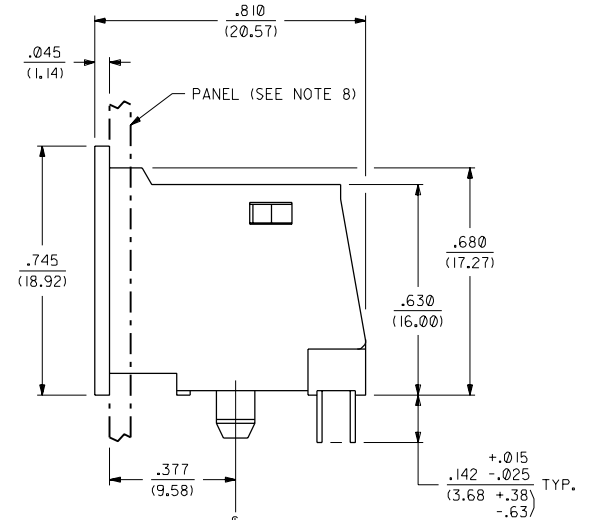
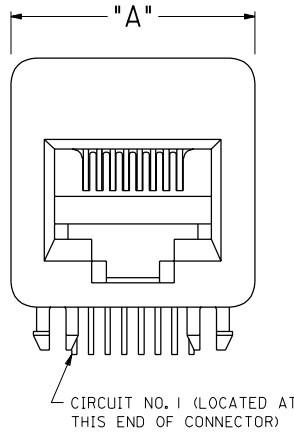
ORDERING INFORMATION AND DIMENSIONS

Circuits	Loaded Contacts	Order No.		Universal Service Order Code	Keyed	Dimension			
		Film Pack	Tray Pack			A	B	C	D
4	2	15-43-6042	15-43-6542		No	14.50 (.570)	1.27 (.050)	11.56 (.455)	7.62 (.300)
4	4	15-43-6044	15-43-6544		No	14.50 (.570)	3.81 (.150)	11.56 (.455)	7.62 (.300)
6	2	15-43-6063	15-43-6563	RJ11W/RJ11C	No	16.50 (.650)	1.27 (.050)	13.59 (.535)	10.16 (.400)
6	4	15-43-6064	15-43-6564	RJ16	No	16.50 (.650)	3.81 (.150)	13.59 (.535)	10.16 (.400)
6	6	15-43-6066	15-43-6566	RJ12/RJ18/RJ25	No	16.50 (.650)	6.35 (.250)	13.59 (.535)	10.16 (.400)
8	2	15-43-6090	15-43-6590		No	18.54 (.730)	1.27 (.050)	15.62 (.615)	11.43 (.450)
8 Keyed	2	15-43-6248	15-43-6251		Yes/RJ45	18.54 (.730)	1.27 (.050)	15.62 (.615)	11.43 (.450)
8	4	15-43-6084	15-43-6584		No	18.54 (.730)	3.81 (.150)	15.62 (.615)	11.43 (.450)
8 Keyed	4	15-43-6242	15-43-6245		Yes/RJ45	18.54 (.730)	3.81 (.150)	15.62 (.615)	11.43 (.450)
8	6	15-43-6086	15-43-6586		No	18.54 (.730)	6.35 (.250)	15.62 (.615)	11.43 (.450)
8 Keyed	6	15-43-6236	15-43-6239		Yes/RJ45	18.54 (.730)	6.35 (.250)	15.62 (.615)	11.43 (.450)
8	8	15-43-6088	15-43-6588	RJ48	No	18.54 (.730)	8.89 (.350)	15.62 (.615)	11.43 (.450)
8 Keyed	8	15-43-6230	15-43-6233	RJ14/RJ45	Yes/RJ45	18.54 (.730)	8.89 (.350)	15.62 (.615)	11.43 (.450)

• US Standard Product, available through Molex franchised distributors

NOTES:

- 1) MATERIALS: HOUSING PARTS ARE MADE OF GLASS FILLED POLYESTER, RATED 94 V-0, COLOR IS BLACK; TERMINALS ARE MADE OF PHOSPHOR BRONZE.
- 2) JACKS ARE TO BE USED WITH .062/(1.57) THICK PRINTED CIRCUIT BOARDS.
- 3) JACKS CONFORM TO AND ACCEPT PLUGS WHICH CONFORM TO FCC REGULATIONS, PART 68.5.
- 4) TERMINAL PLATING OPTIONS PER SDES-88:
 - (595) .000050/(.00127) MIN. GOLD IN CONTACT AREAS, .000050/(.00127) MIN. TIN-LEAD ON P.C. TAILS, WITH .000050/(.00127) MIN. NICKEL UNDERPLATE OVERALL.
 - (594) .000030/(.00076) MIN. GOLD IN CONTACT AREAS, .000050/(.00127) MIN. TIN-LEAD ON P.C. TAILS, WITH .000050/(.00127) MIN. NICKEL UNDERPLATE OVERALL.
 - (542) .000015/(.00038) MIN. GOLD IN CONTACT AREAS, .000050/(.00127) MIN. TIN-LEAD ON P.C. TAILS, WITH .000050/(.00127) MIN. NICKEL UNDERPLATE OVERALL.
- 5) ALL JACKS MUST MEET THE REQUIREMENTS OF MOLEX SPECIFICATION *PS-41314.
- 6) ALL UNTOLERANCED DIMENSIONS ARE SHOWN FOR REFERENCE ONLY.
- 7) SEE SHEET 3 FOR RECOMMENDED PANEL CUT-OUT AND BOARD LAYOUT DIMENSIONS.
- 8) PANEL TO BE LOCATED AGAINST MODULAR JACK FLANGE AS INDICATED.
- 9) PACKAGING OPTIONS: TRAYS OR FILM/AMMO PACK.



8	2	.730 (18.54)	.600 (15.24)	.200 (5.08)	.050 (1.27)	.450 (11.43)
8	4	.730 (18.54)	.600 (15.24)	.150 (3.81)	.150 (3.81)	.450 (11.43)
8	6	.730 (18.54)	.600 (15.24)	.100 (2.54)	.250 (6.35)	.450 (11.43)
8	8	.730 (18.54)	.600 (15.24)	.050 (1.27)	.350 (8.89)	.450 (11.43)
6	2	.650 (16.51)	.520 (13.21)	.175 (4.45)	.050 (1.27)	.400 (10.16)
6	4	.650 (16.51)	.520 (13.21)	.125 (3.18)	.150 (3.81)	.400 (10.16)
6	6	.650 (16.51)	.520 (13.21)	.075 (1.91)	.250 (6.35)	.400 (10.16)
4	2	.570 (14.48)	.440 (11.18)	.125 (3.18)	.050 (1.27)	.300 (7.62)
4	4	.570 (14.48)	.440 (11.18)	.075 (1.91)	.150 (3.81)	.300 (7.62)

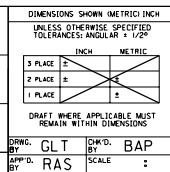
HOUSING SIZE	CIRCUIT SIZE	DIM. *A*	DIM. *B*	DIM. *C*	DIM. *D*	DIM. *E*
--------------	--------------	----------	----------	----------	----------	----------

SIZE 8 MODULAR JACK HOUSING LOADED WITH 8 TERMINALS IS SHOWN ABOVE

	R	REVISED PER ECR UCR 2000-0878 00/07/19 MFK	NI	ADDED E.D.P. NO.'S PER ECR. #UI-0399 02/08/91 GLT	DIMENSIONS SHOWN METRIC INCH UNLESS OTHERWISE SPECIFIED TOLERANCES: ANGULAR 1/16"	▽ = 0 ▼ = 0 REVISE ONLY ON CAD SYSTEM
	Q	DEL GAGE ECR# UCR1998-0049 98-2-20 SAMIEC	N	REVISED PER ECR. #UI-0211 01/15/91 GLT	3 PLACE 2 PLACE 1 PLACE	TITLE RIGHT ANGLE FLANGE MOUNT MODULAR JACK ASSEMBLY
	P	REVISED PER ECR #UG-0783 09JAN96 L.E.Lenz	M	REDRAWN & REVISED PER ECR. #U0-0359 06/01/90 GLT	INCH METRIC	MOLEX INCORPORATED SHEET NO. DATE L15LEJLL 60532 U.S.A. 1 OF 3 05/02/90
LTR.	REVISIONS	LTR.	REVISIONS	LTR.	REVISIONS	SEE SHEET 2 SDA-41314-*****
						THIS DRAWING CONTAINS INFORMATION THAT IS PROPRIETARY TO MOLEX INC. AND SHOULD NOT BE USED WITHOUT WRITTEN PERMISSION.

41314

	13	12	11	10	9	8	7	6	41314	4	3	2	1		
	ENGINEERING PART NUMBER	E.D.P. NUMBER	HOUSING SIZE	CIRCUIT SIZE	PLATING OPTION	PACKAGING OPTION									
J	A-41314-44AAAA	015-43-6044	4	4	(595)	AMMO PACK									
	A-41314-44BAAA	015-43-6045	4	4	(594)	AMMO PACK									
	A-41314-44CAAA	015-43-6041	4	4	(542)	AMMO PACK									
	A-41314-44ABAA	015-43-6544	4	4	(595)	TRAY PACK									
	A-41314-44BBAA	015-43-6545	4	4	(594)	TRAY PACK									
	A-41314-44CBAA	015-43-6541	4	4	(542)	TRAY PACK									
I	A-41314-42AAAA	015-43-6042	4	2	(595)	AMMO PACK									
	A-41314-42BAAA	015-43-6043	4	2	(594)	AMMO PACK									
	A-41314-42CAAA	015-43-6046	4	2	(542)	AMMO PACK									
	A-41314-42ABAA	015-43-6542	4	2	(595)	TRAY PACK									
	A-41314-42BBAA	015-43-6543	4	2	(594)	TRAY PACK									
	A-41314-42CBAA	015-43-6546	4	2	(542)	TRAY PACK									
H	A-41314-66AAAA	015-43-6066	6	6	(595)	AMMO PACK									
	A-41314-66BAAA	015-43-6067	6	6	(594)	AMMO PACK									
	A-41314-66CAAA	015-43-6062	6	6	(542)	AMMO PACK									
	A-41314-66ABAA	015-43-6566	6	6	(595)	TRAY PACK									
	A-41314-66BBAA	015-43-6567	6	6	(594)	TRAY PACK									
	A-41314-66CBAA	015-43-6562	6	6	(542)	TRAY PACK									
	A-41314-64AAAA	015-43-6064	6	4	(595)	AMMO PACK									
G	A-41314-64BAAA	015-43-6065	6	4	(594)	AMMO PACK									
	A-41314-64CAAA	015-43-6061	6	4	(542)	AMMO PACK									
	A-41314-64ABAA	015-43-6564	6	4	(595)	TRAY PACK									
	A-41314-64BBAA	015-43-6565	6	4	(594)	TRAY PACK									
	A-41314-64CBAA	015-43-6561	6	4	(542)	TRAY PACK									
	A-41314-62AAAA	015-43-6063	6	2	(595)	AMMO PACK									
F	A-41314-62BAAA	015-43-6068	6	2	(594)	AMMO PACK									
	A-41314-62CAAA	015-43-6069	6	2	(542)	AMMO PACK									
	A-41314-62ABAA	015-43-6563	6	2	(595)	TRAY PACK									
	A-41314-62BBAA	015-43-6568	6	2	(594)	TRAY PACK									
	A-41314-62CBAA	015-43-6569	6	2	(542)	TRAY PACK									
	A-41314-88AAAA	015-43-6088	8	8	(595)	AMMO PACK									
	A-41314-88BAAA	015-43-6089	8	8	(594)	AMMO PACK									
E	A-41314-88CAAA	015-43-6083	8	8	(542)	AMMO PACK									
	A-41314-88ABAA	015-43-6588	8	8	(595)	TRAY PACK									
	A-41314-88BBAA	015-43-6589	8	8	(594)	TRAY PACK									
	A-41314-88CBAA	015-43-6583	8	8	(542)	TRAY PACK									
	A-41314-86AAAA	015-43-6086	8	6	(595)	AMMO PACK									
	A-41314-86BAAA	015-43-6087	8	6	(594)	AMMO PACK									
D	A-41314-86CAAA	015-43-6082	8	6	(542)	AMMO PACK									
	A-41314-86ABAA	015-43-6586	8	6	(595)	TRAY PACK									
	A-41314-86BBAA	015-43-6587	8	6	(594)	TRAY PACK									
	A-41314-86CBAA	015-43-6582	8	6	(542)	TRAY PACK									
	A-41314-84AAAA	015-43-6084	8	4	(595)	AMMO PACK									
	A-41314-84BAAA	015-43-6085	8	4	(594)	AMMO PACK									
	A-41314-84CAAA	015-43-6081	8	4	(542)	AMMO PACK									
C	A-41314-84ABAA	015-43-6584	8	4	(595)	TRAY PACK									
	A-41314-84BBAA	015-43-6585	8	4	(594)	TRAY PACK									
	A-41314-84CBAA	015-43-6581	8	4	(542)	TRAY PACK									
	A-41314-82AAAA	015-43-6090	8	2	(595)	AMMO PACK									
	A-41314-82BAAA	015-43-6091	8	2	(594)	AMMO PACK									
	A-41314-82CAAA	015-43-6092	8	2	(542)	AMMO PACK									
B	A-41314-82ABAA	015-43-6590	8	2	(595)	TRAY PACK									
	A-41314-82BBAA	015-43-6591	8	2	(594)	TRAY PACK									
	A-41314-82CBAA	015-43-6592	8	2	(542)	TRAY PACK									
A	SEE SHEET I FOR PART DESCRIPTIONS														
						R	SEE SHEET I								
						P	SEE SHEET I								
						M	SEE SHEET I								
						LTR.	REVISIONS	LTR.	REVISIONS	LTR.	REVISIONS				

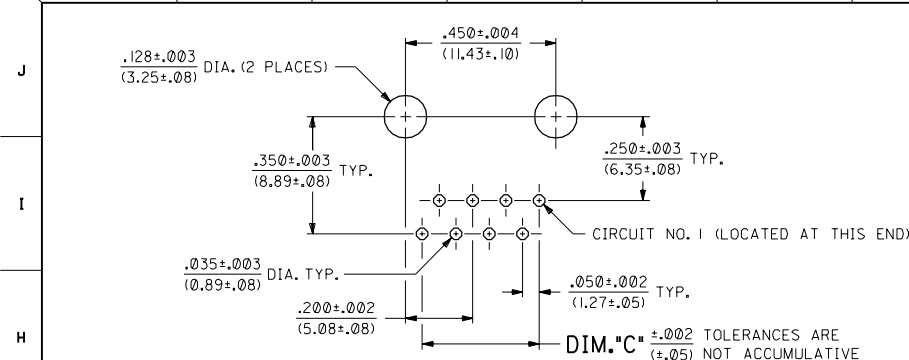


DIMENSIONS SHOWN (METRIC) INCH		UNLESS OTHERWISE SPECIFIED TOLERANCES: ANGULAR ± 1/2°	
3 PLACE	±	INCH	METRIC
2 PLACE	±		
1 PLACE	±		
DRAFT WHERE APPLICABLE MUST REMAIN WITHIN DIMENSIONS			
DRWG. BY: GLT	CHK'D. BY: BAP		
APP'D. BY: RAS	SCALE: 1:1		
MOLEX INCORPORATED		SHEET NO. 2	DATE 05/02/90
LITTLE,ILL. 60532 U.S.A.			
PART NO. SEE CHART		DRWG. NO. SDA-41314-*****	
THIS DRAWING CONTAINS INFORMATION THAT IS PROPRIETARY TO MOLEX INC. AND SHOULD NOT BE USED WITHOUT WRITTEN PERMISSION.			
FILE NAME: SDA41314R2.DWG		DRW. BY: CP	DATE: 05/02/90

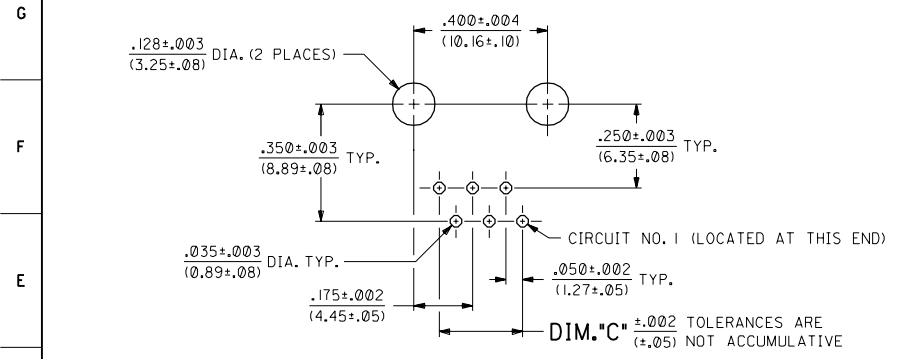
41314

A

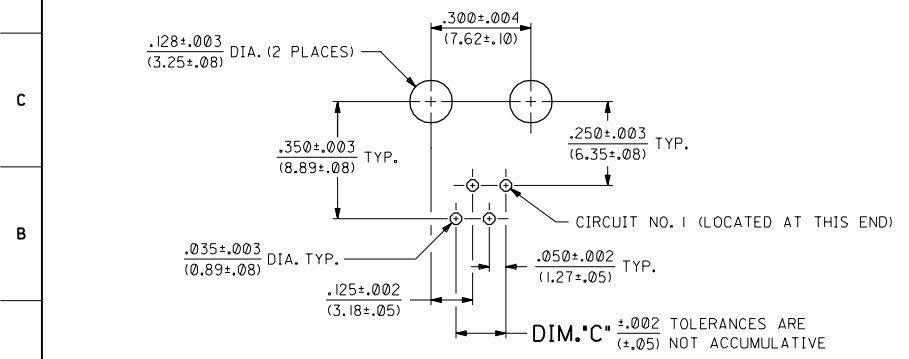
13 12 11 10 9 8 7 6 41314 4 3 2 1



PC BOARD LAYOUT FOR HOUSING SIZE 8



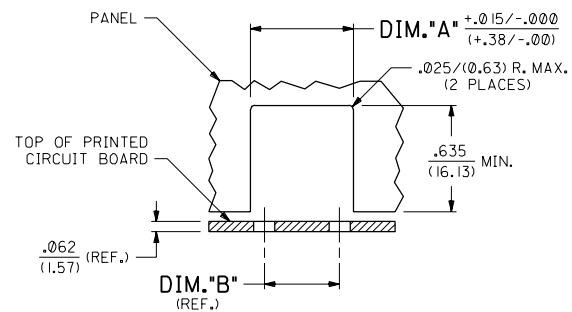
PC BOARD LAYOUT FOR HOUSING SIZE 6



PC BOARD LAYOUT FOR HOUSING SIZE 4

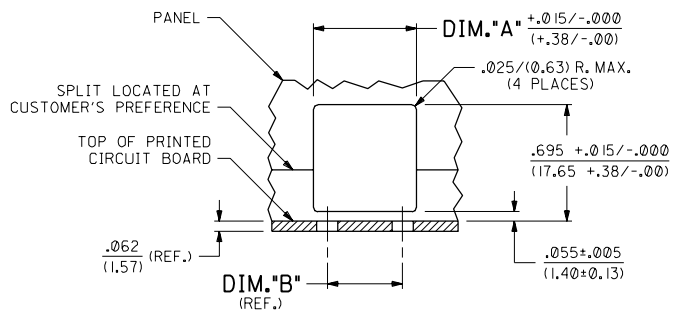
ENGINEERING PART NUMBER	HOUSING SIZE	CIRCUIT SIZE	DIM. "A"	DIM. "B"	DIM. "C"
A-41314-44****	4	4	.455/(11.56)	.300/(7.62)	.150/(3.81)
A-41314-42****	4	2	.455/(11.56)	.300/(7.62)	.050/(1.27)
A-41314-66****	6	6	.535/(13.59)	.400/(10.16)	.250/(6.35)
A-41314-64****	6	4	.535/(13.59)	.400/(10.16)	.150/(3.81)
A-41314-62****	6	2	.535/(13.59)	.400/(10.16)	.050/(1.27)
A-41314-88****	8	8	.615/(15.62)	.450/(11.43)	.350/(8.89)
A-41314-86****	8	6	.615/(15.62)	.450/(11.43)	.250/(6.35)
A-41314-84****	8	4	.615/(15.62)	.450/(11.43)	.150/(3.81)
A-41314-82****	8	2	.615/(15.62)	.450/(11.43)	.050/(1.27)

NOTE: ALL RECOMMENDED BOARD LAYOUTS ARE SHOWN AS COMPONENT SIDE OF BOARD



PANEL CUT-OUT GUIDELINES (OPTION 1)

DIM. 'A' MUST BE SYMMETRICAL TO DIM. 'B' WITHIN .005/(0.13)



PANEL CUT-OUT GUIDELINES (OPTION 2)

DIM. 'A' MUST BE SYMMETRICAL TO DIM. 'B' WITHIN .005/(0.13)

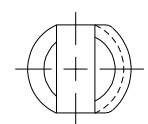
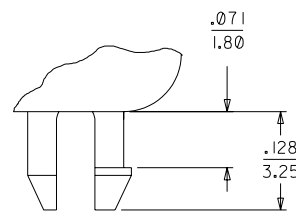
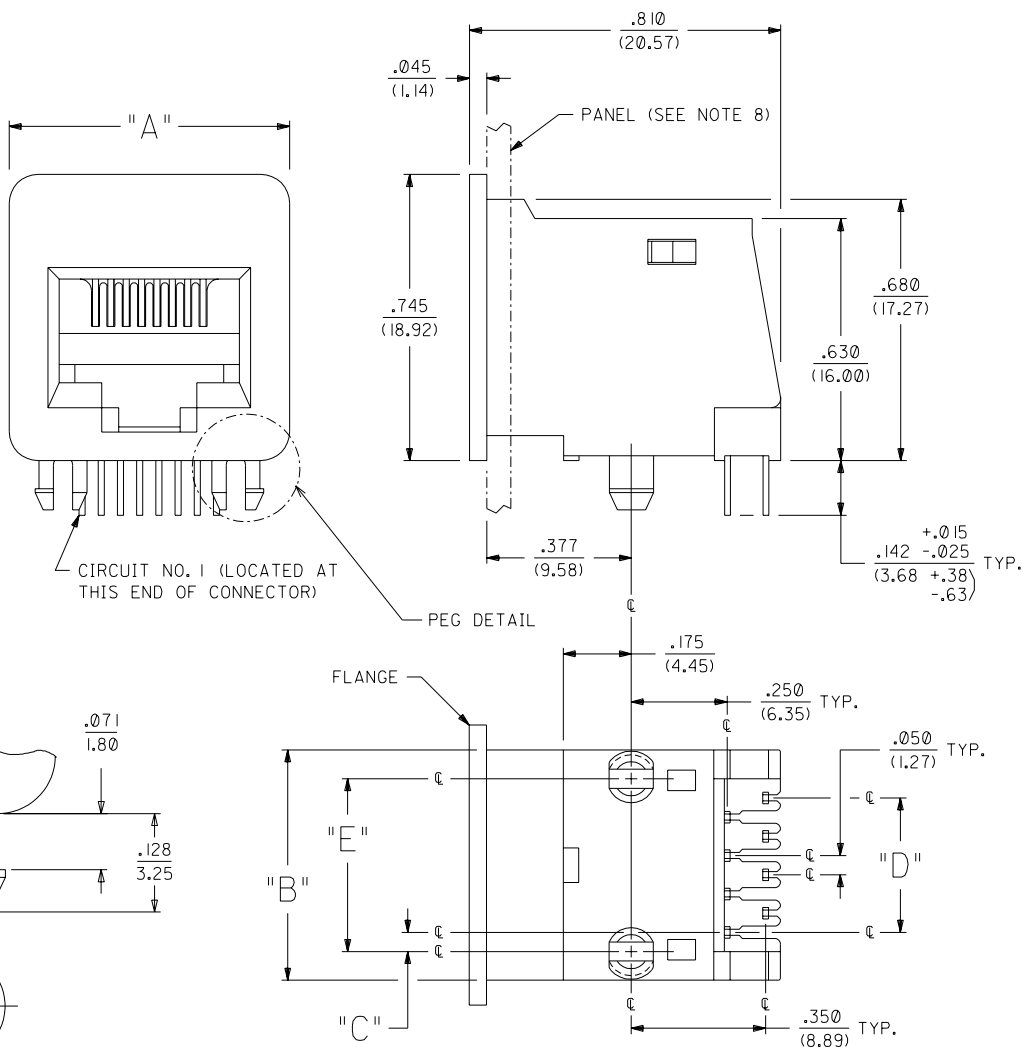
REVISIONS		REVISIONS		MFG. SH. REV.	
P	SEE SHEET 1	N	SEE SHEET 1		
R	SEE SHEET 1	M	SEE SHEET 1		
Q	SEE SHEET 1				

DIMENSIONS SHOWN METRIC/INCH		UNLESS OTHERWISE SPECIFIED TOLERANCES: ANGULAR ± 1/2°		REVISIONS ONLY ON CAD SYSTEM	
3 PLACE ±	2 PLACE ±	1 PLACE ±	0 ±		
DRAFT WHERE APPLICABLE MUST REMAIN WITHIN DIMENSIONS					
DRWG. BY: GLT	CHK'D. BY: BAP				
APP'D. BY: RAS	SCALE: 4:1				
TITLE: PANEL/BOARD LAYOUTS FOR RIGHT ANGLE FLANGE MOUNT MODULAR JACK ASSEMBLIES		PART NO. SDA-41314-****		SHEET NO. 3	
FILE NAME: SDA41314.DWG		DATE: 05/02/90		DRAWING NO. 60532	
THIS DRAWING CONTAINS INFORMATION THAT IS PROPRIETARY TO MOLEX INC. AND SHOULD NOT BE USED WITHOUT WRITTEN PERMISSION.		DWT: CP		STY: C	

13 12 11 10 9 8 7 6 5 4 3 2 1

NOTES:

- 1) MATERIALS: HOUSING PARTS ARE MADE OF GLASS FILLED POLYESTER, RATED 94 V-0, COLOR IS BLACK; TERMINALS ARE MADE OF PHOSPHOR BRONZE.
- 2) JACKS ARE TO BE USED WITH .062/(1.57) THICK PRINTED CIRCUIT BOARDS.
- 3) JACKS CONFORM TO AND ACCEPT PLUGS WHICH CONFORM TO FCC REGULATIONS, PART 68.5.
- 4) TERMINAL PLATING PER SDES-88:
(595) .000050/(.00127) MIN. GOLD IN CONTACT AREAS, .000050/(.00127) MIN. TIN-LEAD ON P.C. TAILS, WITH .000050/(.00127) MIN. NICKEL UNDERPLATE OVERALL.
- 5) ALL JACKS MUST MEET THE REQUIREMENTS OF MOLEX SPECIFICATION *PS-41314.
- 6) ALL UNTOLERANCED DIMENSIONS ARE SHOWN FOR REFERENCE ONLY.
- 7) SEE SHEET 3 FOR RECOMMENDED PANEL CUT-OUT AND BOARD LAYOUT DIMENSIONS.
- 8) PANEL TO BE LOCATED AGAINST MODULAR JACK FLANGE AS INDICATED.
- 9) PACKAGING OPTIONS: TRAYS OR FILM/AMMO PACK.



PEG DETAIL
SCALE: 8:1

8	2	.730 (18.54)	.600 (15.24)	.200 (5.08)	.050 (1.27)	.450 (11.43)
8	4	.730 (18.54)	.600 (15.24)	.150 (3.81)	.150 (3.81)	.450 (11.43)
8	6	.730 (18.54)	.600 (15.24)	.100 (2.54)	.250 (6.35)	.450 (11.43)
8	8	.730 (18.54)	.600 (15.24)	.050 (1.27)	.350 (8.89)	.450 (11.43)
6	2	.650 (16.51)	.520 (13.21)	.175 (4.45)	.050 (1.27)	.400 (10.16)
6	4	.650 (16.51)	.520 (13.21)	.125 (3.18)	.150 (3.81)	.400 (10.16)
6	6	.650 (16.51)	.520 (13.21)	.075 (1.91)	.250 (6.35)	.400 (10.16)
4	2	.570 (14.48)	.440 (11.18)	.125 (3.18)	.050 (1.27)	.300 (7.62)
4	4	.570 (14.48)	.440 (11.18)	.075 (1.91)	.150 (3.81)	.300 (7.62)
HOUSING SIZE	CIRCUIT SIZE	DIM. "A"	DIM. "B"	DIM. "C"	DIM. "D"	DIM. "E"

SIZE 8 MODULAR JACK HOUSING LOADED WITH 8 TERMINALS IS SHOWN ABOVE

REVISIONS LTR. REVISIONS LTR. REVISIONS LTR. REVISIONS			R UCR 2000-0878 00/07/19 MRK	DIMENSIONS SHOWN (METRIC) INCH UNLESS OTHERWISE SPECIFIED TOLERANCES: ANGULAR ± 1/2°	3 PLACE ± 2 PLACE ± 1 PLACE ±	3 PLACE ± 2 PLACE ± 1 PLACE ±	DRAFT WHERE APPLICABLE MUST REMAIN WITHIN DIMENSIONS	DRWG. BY: GLT APP'D BY: RAS	CHK'D BY: BAP SCALE: 4:1	REVISED PER ECN ECR* UCR1998-0049 98-2-20 SAMIEC	REVISED PER ECN *UG-0783 09JAN96 L.E.LenZ	MFG. SH. REV. 3 R 2 S 1 SI	REVISIONS LTR. REVISIONS LTR. REVISIONS LTR. REVISIONS	REVISED PER ECN UCR 2000-0878 00/07/19 MRK	DIMENSIONS SHOWN (METRIC) INCH UNLESS OTHERWISE SPECIFIED TOLERANCES: ANGULAR ± 1/2°	3 PLACE ± 2 PLACE ± 1 PLACE ±	DRAFT WHERE APPLICABLE MUST REMAIN WITHIN DIMENSIONS	DRWG. BY: GLT APP'D BY: RAS	CHK'D BY: BAP SCALE: 4:1	REVISED PER ECN UCR 2000-0878 00/07/19 MRK	REVISED PER ECN *UG-0783 09JAN96 L.E.LenZ	MFG. SH. REV. 3 R 2 S 1 SI	REVISIONS LTR. REVISIONS LTR. REVISIONS LTR. REVISIONS
---	--	--	------------------------------------	--	-------------------------------------	-------------------------------------	---	--------------------------------	-----------------------------	--	---	-------------------------------------	---	--	--	-------------------------------------	---	--------------------------------	-----------------------------	--	---	-------------------------------------	---

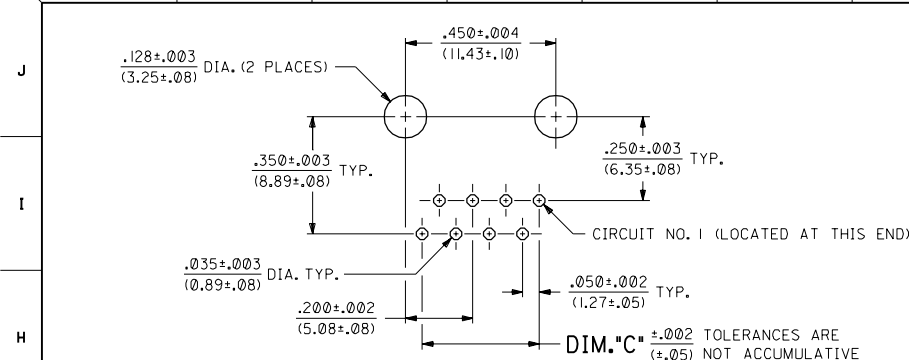
TITLE: RIGHT ANGLE FLANGE MOUNT MODULAR JACK ASSEMBLY
 MOLEX INCORPORATED
 SHEET NO. 1 OF 3
 DATE: 05/02/90
 U.S.A.
 SEE SHEET 2 SDA-41314-*****
 THIS DRAWING CONTAINS INFORMATION THAT IS PROPRIETARY TO MOLEX INC. AND SHOULD NOT BE USED WITHOUT WRITTEN PERMISSION.

	13	12	11	10	9	8	7	6	41314	4	3	2	1		
	ENGINEERING PART NUMBER	E.D.P. NUMBER	HOUSING SIZE	CIRCUIT SIZE	PLATING	PACKAGING OPTION									
J	A-41314-44AAAA	015-43-6044	4	4	(595)	AMMO PACK									J
	A-41314-44ABAA	015-43-6544	4	4	(595)	TRAY PACK									
	A-41314-42AAAA	015-43-6042	4	2	(595)	AMMO PACK									
	A-41314-42ABAA	015-43-6542	4	2	(595)	TRAY PACK									
	A-41314-66AAAA	015-43-6066	6	6	(595)	AMMO PACK									
	A-41314-66ABAA	015-43-6566	6	6	(595)	TRAY PACK									
I	A-41314-64AAAA	015-43-6064	6	4	(595)	AMMO PACK									I
	A-41314-64ABAA	015-43-6564	6	4	(595)	TRAY PACK									
	A-41314-62AAAA	015-43-6063	6	2	(595)	AMMO PACK									
	A-41314-62ABAA	015-43-6563	6	2	(595)	TRAY PACK									
	A-41314-88AAAA	015-43-6088	8	8	(595)	AMMO PACK									
	A-41314-88ABAA	015-43-6588	8	8	(595)	TRAY PACK									
	A-41314-86ABAA	015-43-6586	8	6	(595)	TRAY PACK									
H	A-41314-84ABAA	015-43-6584	8	4	(595)	TRAY PACK									H
	A-41314-82ABAA	015-43-6590	8	2	(595)	TRAY PACK									
<u>SEE SHEET I FOR PART DESCRIPTIONS</u>															
G														G	
F														F	
E														E	
D														D	
C														C	
B														B	
A														A	
	13	12	11	10	9	8	7	6	5	4	3	2	1		

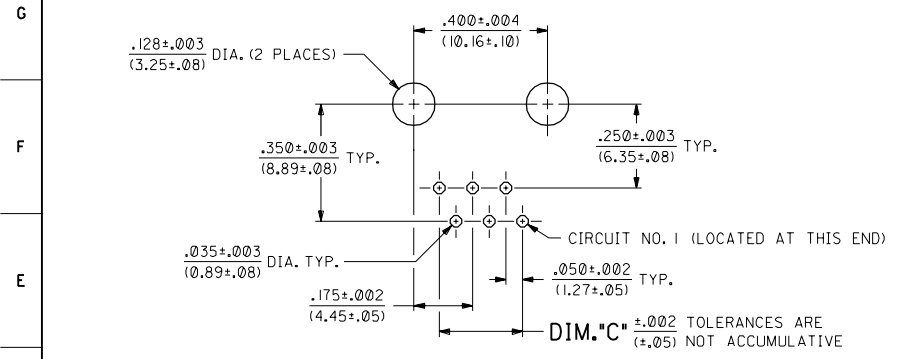
41314

						R	SEE SHEET I	DIMENSIONS SHOWN (METRIC) INCH		▽ = 0 ▽ = 0		REVISE ONLY ON CAD SYSTEM															
						P	SEE SHEET I	UNLESS OTHERWISE SPECIFIED TOLERANCES: ANGULAR ± 1/2°		TITLE		RIGHT ANGLE FLANGE MOUNT MODULAR JACK ASSEMBLY															
						M	SEE SHEET I	<table border="1"> <tr> <td>3 PLACE</td> <td>±</td> <td>INCH</td> <td>METRIC</td> </tr> <tr> <td>2 PLACE</td> <td>±</td> <td></td> <td></td> </tr> <tr> <td>1 PLACE</td> <td>±</td> <td></td> <td></td> </tr> </table>		3 PLACE	±	INCH	METRIC	2 PLACE	±			1 PLACE	±			MOLEX INCORPORATED		SHEET NO. 2		DATE 05/02/90	
3 PLACE	±	INCH	METRIC																								
2 PLACE	±																										
1 PLACE	±																										
						S	SEE SHEET I	DRAFT WHERE APPLICABLE MUST REMAIN WITHIN DIMENSIONS		PART NO.		SDA-41314-*****															
						LTR.	REVISIONS	DRWG. BY: GLT CHK'D. BY: BAP		FILE NAME		THIS DRAWING CONTAINS INFORMATION THAT IS PROPRIETARY TO MOLEX INC. AND SHOULD NOT BE USED WITHOUT WRITTEN PERMISSION.															
						LTR.	REVISIONS	APP'D. BY: RAS SCALE: :		SD41314R2.DWG		CP C															

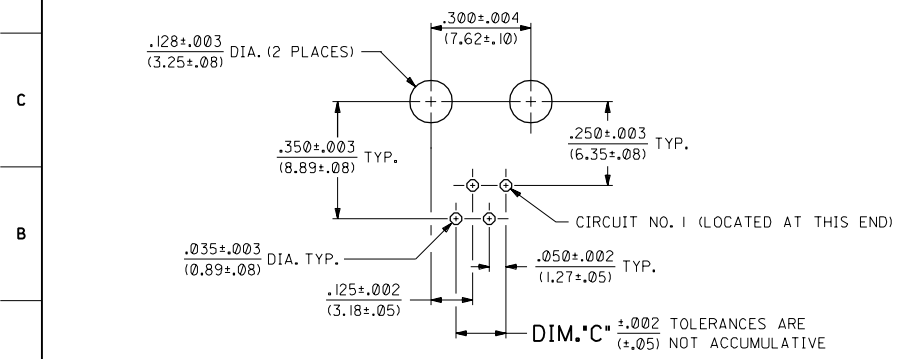
13 12 11 10 9 8 7 6 4 3 2 1



PC BOARD LAYOUT FOR HOUSING SIZE 8



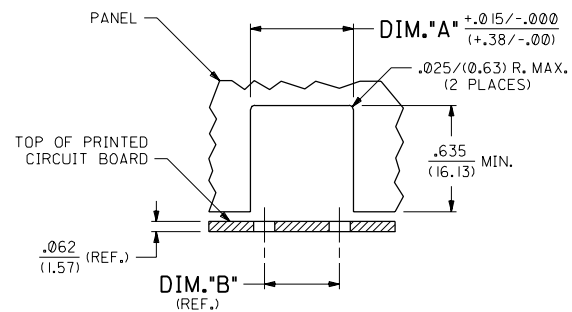
PC BOARD LAYOUT FOR HOUSING SIZE 6



PC BOARD LAYOUT FOR HOUSING SIZE 4

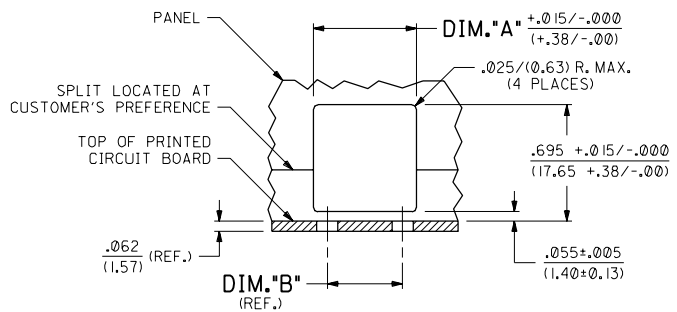
ENGINEERING PART NUMBER	HOUSING SIZE	CIRCUIT SIZE	DIM. "A"	DIM. "B"	DIM. "C"
A-41314-44****	4	4	.455/(11.56)	.300/(7.62)	.150/(3.81)
A-41314-42****	4	2	.455/(11.56)	.300/(7.62)	.050/(1.27)
A-41314-66****	6	6	.535/(13.59)	.400/(10.16)	.250/(6.35)
A-41314-64****	6	4	.535/(13.59)	.400/(10.16)	.150/(3.81)
A-41314-62****	6	2	.535/(13.59)	.400/(10.16)	.050/(1.27)
A-41314-88****	8	8	.615/(15.62)	.450/(11.43)	.350/(8.89)
A-41314-86****	8	6	.615/(15.62)	.450/(11.43)	.250/(6.35)
A-41314-84****	8	4	.615/(15.62)	.450/(11.43)	.150/(3.81)
A-41314-82****	8	2	.615/(15.62)	.450/(11.43)	.050/(1.27)

NOTE: ALL RECOMMENDED BOARD LAYOUTS ARE SHOWN AS COMPONENT SIDE OF BOARD



PANEL CUT-OUT GUIDELINES (OPTION 1)

DIM. 'A' MUST BE SYMMETRICAL TO DIM. 'B' WITHIN .005/(0.13)



PANEL CUT-OUT GUIDELINES (OPTION 2)

DIM. 'A' MUST BE SYMMETRICAL TO DIM. 'B' WITHIN .005/(0.13)

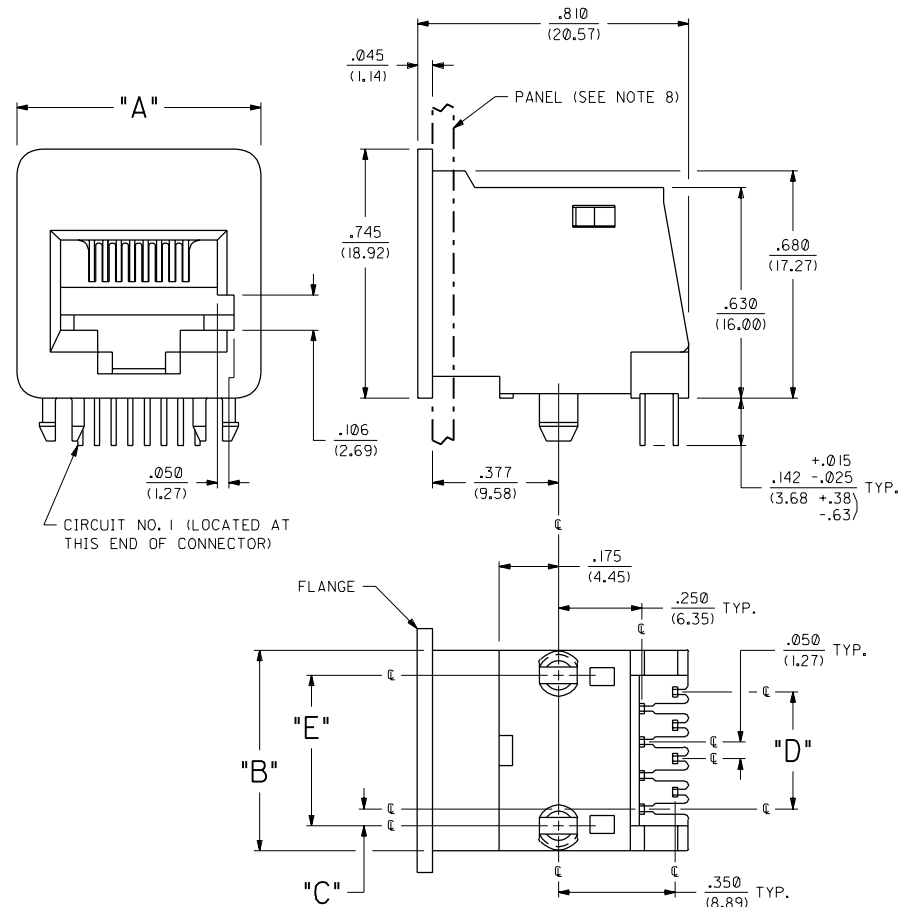
REVISIONS		REVISIONS		MFG. SH. REV.	
LTR.	REVISIONS	LTR.	REVISIONS		
P	SEE SHEET 1	N	SEE SHEET 1		
R	SEE SHEET 1	M	SEE SHEET 1		
Q	SEE SHEET 1				

DIMENSIONS SHOWN (METRIC) INCH		UNLESS OTHERWISE SPECIFIED TOLERANCES: ANGULAR ± 1/2°		REVISIONS ONLY ON CAD SYSTEM	
3 PLACE ±	2 PLACE ±	1 PLACE ±	0 ±		
DRAFT WHERE APPLICABLE MUST REMAIN WITHIN DIMENSIONS		DRWG. BY: GLT		DRWG. NO. SDA-41314-****	
APP'D. BY: RAS		SCALE: 4:1		DATE: 05/02/90	
FILE NAME: SDA41314.DWG		THIS DRAWING CONTAINS INFORMATION THAT IS PROPRIETARY TO MOLEX INC. AND SHOULD NOT BE USED WITHOUT WRITTEN PERMISSION.		SHEET NO. 3	

13 12 11 10 9 8 7 6 5 4 3 2 1

NOTES:

- 1) MATERIALS: HOUSING PARTS ARE MADE OF GLASS FILLED POLYESTER, RATED 94 V-0, COLOR IS BLACK; TERMINALS ARE MADE OF PHOSPHOR BRONZE.
- 2) JACKS ARE TO BE USED WITH .062/(1.57) THICK PRINTED CIRCUIT BOARDS.
- 3) JACKS CONFORM TO AND ACCEPT PLUGS WHICH CONFORM TO FCC REGULATIONS, PART 68.5.
- 4) TERMINAL PLATING OPTIONS PER SDES-88 :
 - (595) .000050/(.00127) MIN. GOLD IN CONTACT AREAS, .000050/(.00127) MIN. TIN-LEAD ON P.C. TAILS, WITH .000050/(.00127) MIN. NICKEL UNDERPLATE OVERALL.
 - (594) .000030/(.00076) MIN. GOLD IN CONTACT AREAS, .000050/(.00127) MIN. TIN-LEAD ON P.C. TAILS, WITH .000050/(.00127) MIN. NICKEL UNDERPLATE OVERALL.
 - (542) .000015/(.00038) MIN. GOLD IN CONTACT AREAS, .000050/(.00127) MIN. TIN-LEAD ON P.C. TAILS, WITH .000050/(.00127) MIN. NICKEL UNDERPLATE OVERALL.
- 5) ALL JACKS MUST MEET THE REQUIREMENTS OF MOLEX SPECIFICATION *PS-41314.
- 6) ALL UNTOLERANCED DIMENSIONS ARE SHOWN FOR REFERENCE ONLY.
- 7) SEE SHEET 3 FOR RECOMMENDED PANEL CUT-OUT AND BOARD LAYOUT DIMENSIONS.
- 8) PANEL TO BE LOCATED AGAINST MODULAR JACK FLANGE AS INDICATED.
- 9) PACKAGING OPTIONS: TRAYS OR FILM/AMMO PACK.
- 10) HOUSING SIZES 4 AND 6 ARE NOT AVAILABLE WITH KEYING OPTION.



SIZE 8 MODULAR JACK HOUSING LOADED WITH 8 TERMINALS IS SHOWN ABOVE

8	2	.730 (18.54)	.600 (15.24)	.200 (5.08)	.050 (1.27)	.450 (11.43)
8	4	.730 (18.54)	.600 (15.24)	.150 (3.81)	.150 (3.81)	.450 (11.43)
8	6	.730 (18.54)	.600 (15.24)	.100 (2.54)	.250 (6.35)	.450 (11.43)
8	8	.730 (18.54)	.600 (15.24)	.050 (1.27)	.350 (8.89)	.450 (11.43)

HOUSING SIZE	CIRCUIT SIZE	DIM. "A"	DIM. "B"	DIM. "C"	DIM. "D"	DIM. "E"
--------------	--------------	----------	----------	----------	----------	----------

REVISED PER ECN UCR 2000-0878 00/07/19 MRK			ADDED EDP NUMBERS PER ECN. #U2-0793 05/26/92 GLT		DIMENSIONS SHOWN METRIC (INCH) UNLESS OTHERWISE SPECIFIED TOLERANCES: ANGULAR 1/16"		▽ = 0 ▼ = 0 REVISE ONLY ON CAD SYSTEM													
REVISED PER ECN UCR1998-0035 MANLAPAZ 02-21-98			REVISED PER ECN. #U1-0211 01/15/91 GLT		<table border="1"> <tr> <td>3 PLACE</td> <td>2</td> <td>1</td> <td>0</td> </tr> <tr> <td>2 PLACE</td> <td>1</td> <td>0</td> <td>0</td> </tr> <tr> <td>1 PLACE</td> <td>0</td> <td>0</td> <td>0</td> </tr> </table>		3 PLACE	2	1	0	2 PLACE	1	0	0	1 PLACE	0	0	0	TITLE RIGHT ANGLE FLANGE MOUNT KEYED MODULAR JACK ASSEMBLY	
3 PLACE	2	1	0																	
2 PLACE	1	0	0																	
1 PLACE	0	0	0																	
REVISED PER ECN. #U6-0783 09FEB1996 L.E.LenZ			FINAL RELEASE PER ERO. #30719 12/19/90 GLT		DRAFT WHERE APPLICABLE MUST REMAIN WITHIN DIMENSIONS DRWG. BY: GLT CHKD. BY: BAP APP'D. BY: RAS SCALE: 4 : 1		MOLEX INCORPORATED L1SLEJLL. 60532 U.S.A. OF 3 12/10/90 SHEET NO. 2 FILE NAME: SD4277601.DWG THIS DRAWING CONTAINS INFORMATION THAT IS PROPRIETARY TO MOLEX INC. AND SHOULD NOT BE USED WITHOUT WRITTEN PERMISSION.													
LTR.	REVISIONS	LTR.	REVISIONS	LTR.	REVISIONS	CP	C	C												

3	E
2	E
1	E

MFG. SH. REV.

3	E
2	E
1	E

MFG. SH. REV.

	13	12	11	10	9	8	7	6	42776	4	3	2	1		
	ENGINEERING PART NUMBER	E.D.P. NUMBER	HOUSING SIZE	CIRCUIT SIZE	PLATING OPTION	PACKAGING OPTION									
J	A-42776-88AAAA	Ø15-43-6230	8	8	(595)	AMMO PACK									J
	A-42776-88BAAA	Ø15-43-6231	8	8	(594)	AMMO PACK									
	A-42776-88CAAA	Ø15-43-6232	8	8	(542)	AMMO PACK									
	A-42776-88ABAA	Ø15-43-6233	8	8	(595)	TRAY PACK									
	A-42776-88BBAA	Ø15-43-6234	8	8	(594)	TRAY PACK									
	A-42776-88CBAA	Ø15-43-6235	8	8	(542)	TRAY PACK									
I	A-42776-86AAAA	Ø15-43-6236	8	6	(595)	AMMO PACK									I
	A-42776-86BAAA	Ø15-43-6237	8	6	(594)	AMMO PACK									
	A-42776-86CAAA	Ø15-43-6238	8	6	(542)	AMMO PACK									
	A-42776-86ABAA	Ø15-43-6239	8	6	(595)	TRAY PACK									
	A-42776-86BBAA	Ø15-43-6240	8	6	(594)	TRAY PACK									
	A-42776-86CBAA	Ø15-43-6241	8	6	(542)	TRAY PACK									
	A-42776-84AAAA	Ø15-43-6242	8	4	(595)	AMMO PACK									
H	A-42776-84BAAA	Ø15-43-6243	8	4	(594)	AMMO PACK									H
	A-42776-84CAAA	Ø15-43-6244	8	4	(542)	AMMO PACK									
	A-42776-84ABAA	Ø15-43-6245	8	4	(595)	TRAY PACK									
	A-42776-84BBAA	Ø15-43-6246	8	4	(594)	TRAY PACK									
	A-42776-84CBAA	Ø15-43-6247	8	4	(542)	TRAY PACK									
	A-42776-82AAAA	Ø15-43-6248	8	2	(595)	AMMO PACK									
G	A-42776-82BAAA	Ø15-43-6249	8	2	(594)	AMMO PACK									G
	A-42776-82CAAA	Ø15-43-6250	8	2	(542)	AMMO PACK									
	A-42776-82ABAA	Ø15-43-6251	8	2	(595)	TRAY PACK									
	A-42776-82BBAA	Ø15-43-6252	8	2	(594)	TRAY PACK									
	A-42776-82CBAA	Ø15-43-6253	8	2	(542)	TRAY PACK									
F	<u>SEE SHEET I FOR PART DESCRIPTIONS</u>													F	
E														E	
D														D	
C														C	
B														B	
A														A	

					C	SEE SHEET I
					BI	SEE SHEET I
		E	SEE SHEET I		A	SEE SHEET I
LTR.	REVISIONS	LTR.	REVISIONS	LTR.	REVISIONS	

DIMENSIONS SHOWN (METRIC) INCH
 UNLESS OTHERWISE SPECIFIED
 TOLERANCES: ANGULAR ± 1/2°
 3 PLACE ±
 2 PLACE ±
 1 PLACE ±
 DRAFT WHERE APPLICABLE MUST
 REMAIN WITHIN DIMENSIONS
 DRWG. BY: GLT CHK'D. BY: BAP
 APP'D. BY: RAS SCALE: :

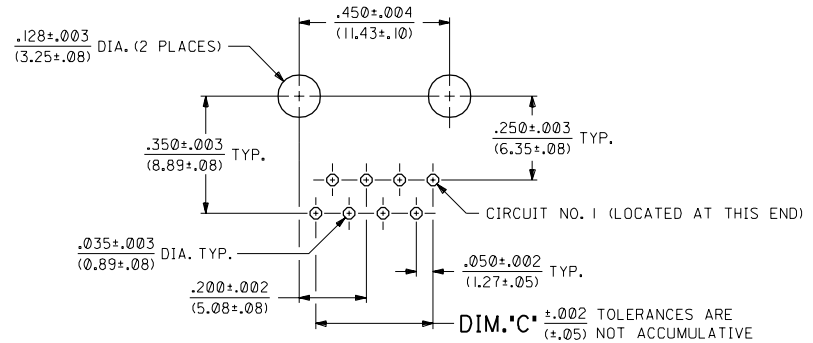
MFG. SH. REV.
 = 0 = 0 REVISE ONLY ON CAD SYSTEM
 TITLE: RIGHT ANGLE FLANGE MOUNT KEYED MODULAR JACK ASSEMBLY
 MOLEX INCORPORATED SHEET NO. 2 DATE 12/10/90
 LITTLE,ILL. 69532 U.S.A.
 PART NO. SEE CHART DRWG. NO. SDA-42776-*****
 FILE NAME: SD4277602.DWG THIS DRAWING CONTAINS INFORMATION THAT IS PROPRIETARY TO MOLEX INC. AND SHOULD NOT BE USED WITHOUT WRITTEN PERMISSION. DIV. CP SITE C

42776

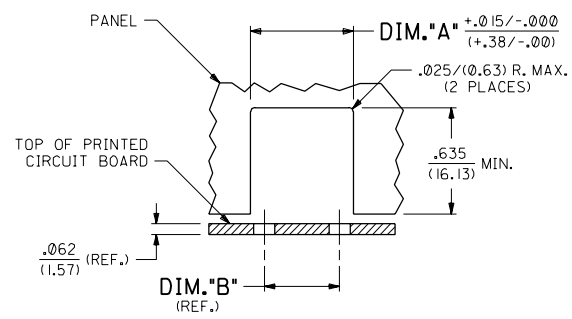
13 12 11 10 9 8 7 6 42776 4 3 2 1

ENGINEERING PART NUMBER	HOUSING SIZE	CIRCUIT SIZE	DIM. "A"	DIM. "B"	DIM. "C"
A-42776-88****	8	8	.615/(15.62)	.450/(11.43)	.350/(8.89)
A-42776-86****	8	6	.615/(15.62)	.450/(11.43)	.250/(6.35)
A-42776-84****	8	4	.615/(15.62)	.450/(11.43)	.150/(3.81)
A-42776-82****	8	2	.615/(15.62)	.450/(11.43)	.050/(1.27)

NOTE: ALL RECOMMENDED BOARD LAYOUTS ARE SHOWN AS COMPONENT SIDE OF BOARD

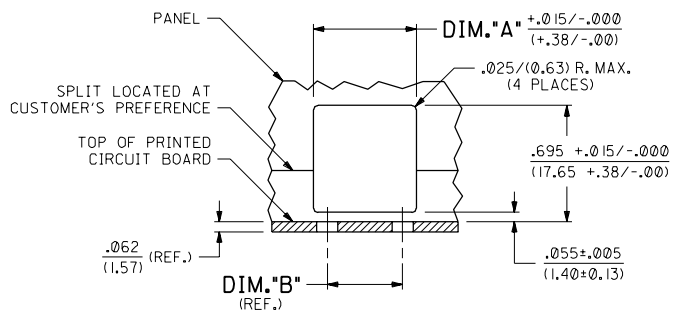


PC BOARD LAYOUT FOR HOUSING SIZE 8



PANEL CUT-OUT GUIDELINES (OPTION 1)

DIM. "A" MUST BE SYMMETRICAL TO DIM. "B" WITHIN .005/(0.13)



PANEL CUT-OUT GUIDELINES (OPTION 2)

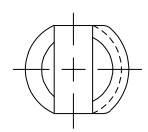
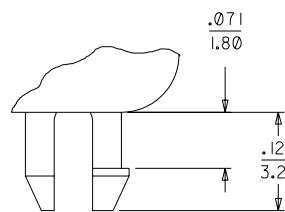
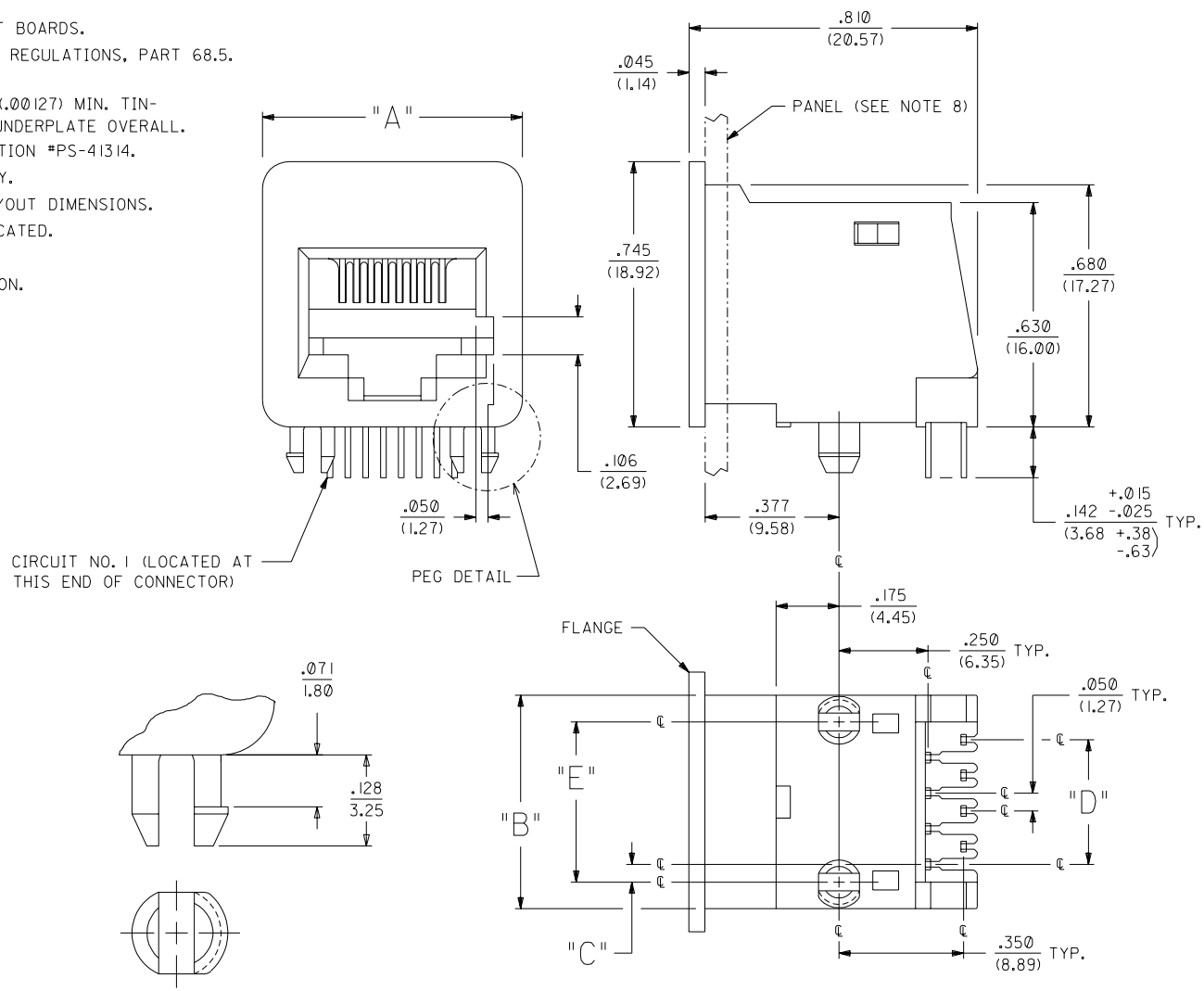
DIM. "A" MUST BE SYMMETRICAL TO DIM. "B" WITHIN .005/(0.13)

								MFG.	SH.	REV.
	E	SEE SHEET 1	B1	SEE SHEET 1				REVISIONS ONLY ON CAD SYSTEM		
	D	SEE SHEET 1	B	SEE SHEET 1				TITLE PANEL/BOARD LAYOUTS FOR RIGHT ANGLE FLANGE MOUNT MODULAR JACK ASSEMBLIES		
	C	SEE SHEET 1	A	SEE SHEET 1				MOLEX INCORPORATED SHEET NO. 3 DATE 12/10/90		
	LTR.	REVISIONS	LTR.	REVISIONS	LTR.	REVISIONS	DRG. NO. SDA-42776-****	THIS DRAWING CONTAINS INFORMATION THAT IS PROPRIETARY TO MOLEX INC. AND SHOULD NOT BE USED WITHOUT WRITTEN PERMISSION.		

13 12 11 10 9 8 7 6 5 4 3 2 1

NOTES:

- 1) MATERIALS: HOUSING PARTS ARE MADE OF GLASS FILLED POLYESTER, RATED 94 V-0, COLOR IS BLACK; TERMINALS ARE MADE OF PHOSPHOR BRONZE.
- 2) JACKS ARE TO BE USED WITH .062/(1.57) THICK PRINTED CIRCUIT BOARDS.
- 3) JACKS CONFORM TO AND ACCEPT PLUGS WHICH CONFORM TO FCC REGULATIONS, PART 68.5.
- 4) TERMINAL PLATING PER SDES-88 :
(595) .000050/(.00127) MIN. GOLD IN CONTACT AREAS, .000050/(.00127) MIN. TIN-LEAD ON P.C. TAILS, WITH .000050/(.00127) MIN. NICKEL UNDERPLATE OVERALL.
- 5) ALL JACKS MUST MEET THE REQUIREMENTS OF MOLEX SPECIFICATION *PS-41314.
- 6) ALL UNTOLERANCED DIMENSIONS ARE SHOWN FOR REFERENCE ONLY.
- 7) SEE SHEET 3 FOR RECOMMENDED PANEL CUT-OUT AND BOARD LAYOUT DIMENSIONS.
- 8) PANEL TO BE LOCATED AGAINST MODULAR JACK FLANGE AS INDICATED.
- 9) PARTS ARE PACKAGED IN TRAYS.
- 10) HOUSING SIZES 4 AND 6 ARE NOT AVAILABLE WITH KEYING OPTION.



PEG DETAIL
SCALE: 8:1

SIZE 8 MODULAR JACK HOUSING LOADED WITH 8 TERMINALS IS SHOWN ABOVE

8	2	.730 (18.54)	.600 (15.24)	.200 (5.08)	.050 (1.27)	.450 (11.43)
8	4	.730 (18.54)	.600 (15.24)	.150 (3.81)	.150 (3.81)	.450 (11.43)
8	6	.730 (18.54)	.600 (15.24)	.100 (2.54)	.250 (6.35)	.450 (11.43)
8	8	.730 (18.54)	.600 (15.24)	.050 (1.27)	.350 (8.89)	.450 (11.43)

HOUSING SIZE	CIRCUIT SIZE	DIM. "A"	DIM. "B"	DIM. "C"	DIM. "D"	DIM. "E"
--------------	--------------	----------	----------	----------	----------	----------

LTR.	REVISIONS	LTR.	REVISIONS	LTR.	REVISIONS

3 PLACE	±	INCH	METRIC
2 PLACE	±		
1 PLACE	±		

DIMENSIONS SHOWN (METRIC) INCH
 UNLESS OTHERWISE SPECIFIED
 TOLERANCES: ANGULAR ± 1/2°

3 PLACE ± INCH METRIC
 2 PLACE ±
 1 PLACE ±

DRAFT WHERE APPLICABLE MUST
 REMAIN WITHIN DIMENSIONS

DRWG. BY: GLT
 APP'D BY: RAS
 CHK'D BY: BAP
 SCALE: 4:1

REVISED PER ECN UCR 2000-0878 00/07/19 MRK
 REVISED PER ECR* UCR1998-0035 MANLAPAZ 02-21-98
 REVISED PER ECN UCR 2001-0943 01/04/16 MRK
 REVISED PER ECN *U6-0783 09FEB1996 L.E.Lenz

MOLEX INCORPORATED
 LISLE, ILL. 60532 U.S.A.

SHEET NO. 1 OF 3
 DATE 12/10/90

TITLE: RIGHT ANGLE FLANGE MOUNT KEYED MODULAR JACK ASSEMBLY

SEE SHEET 2 SDA-42776-*****
 THIS DRAWING CONTAINS INFORMATION THAT IS PROPRIETARY TO MOLEX INC. AND SHOULD NOT BE USED WITHOUT WRITTEN PERMISSION.

3	E
2	F
1	FI

MFG.	SH.	REV.

13 12 11 10 9 8 7 6 42776 4 3 2 1

ENGINEERING PART NUMBER	E.D.P. NUMBER	HOUSING SIZE	CIRCUIT SIZE	PLATING	PACKAGING
A-42776-88ABAA	Ø15-43-6233	8	8	(595)	TRAY PACK
A-42776-86ABAA	Ø15-43-6239	8	6	(595)	TRAY PACK
A-42776-84ABAA	Ø15-43-6245	8	4	(595)	TRAY PACK
A-42776-82ABAA	Ø15-43-6251	8	2	(595)	TRAY PACK

SEE SHEET 1 FOR PART DESCRIPTIONS

J
I
H
G
F
E
D
C
B
A

J
I
H
G
F
D
C
B
A

42776

MFG. SH. REV.

LTR.	REVISIONS	LTR.	REVISIONS	LTR.	REVISIONS
				C	SEE SHEET 1
		F	SEE SHEET 1	BI	SEE SHEET 1
		E	SEE SHEET 1	A	SEE SHEET 1

DIMENSIONS SHOWN (METRIC) INCH
UNLESS OTHERWISE SPECIFIED TOLERANCES: ANGULAR ± .1/2°

3 PLACE ±	2 PLACE ±	1 PLACE ±
INCH	METRIC	

DRAFT WHERE APPLICABLE MUST REMAIN WITHIN DIMENSIONS

DRWG. BY: GLT CHK'D. BY: BAP
APP'D. BY: RAS SCALE: :

▽ = 0 ▼ = 0 REVERSE ONLY ON CAD SYSTEM

TITLE
RIGHT ANGLE FLANGE MOUNT KEYED MODULAR JACK ASSEMBLY

MOLEX INCORPORATED
LITTLE,ILL. 60532 U.S.A.

PART NO. SHEET NO. DATE
SEE CHART 2 12/10/90

DRWG. NO. SDA-42776-*****
FILE NAME: SDA4277602.DWG
THIS DRAWING CONTAINS INFORMATION THAT IS PROPRIETARY TO MOLEX INC. AND SHOULD NOT BE USED WITHOUT WRITTEN PERMISSION.

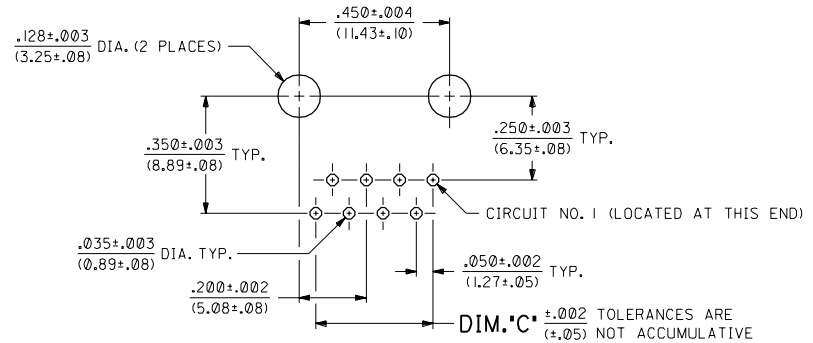
DIV. SITE
CP C

13 12 11 10 9 8 7 6 5 4 3 2 1

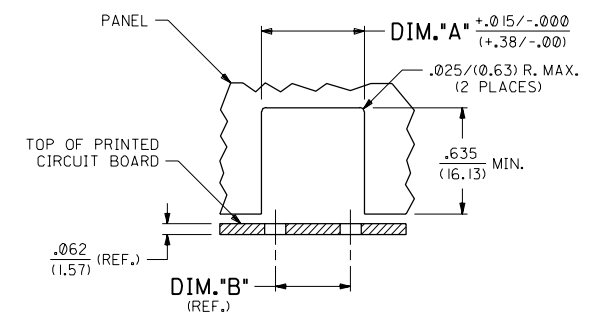
13 12 11 10 9 8 7 6 42776 4 3 2 1

ENGINEERING PART NUMBER	HOUSING SIZE	CIRCUIT SIZE	DIM. "A"	DIM. "B"	DIM. "C"
A-42776-88****	8	8	.615/(15.62)	.450/(11.43)	.350/(8.89)
A-42776-86****	8	6	.615/(15.62)	.450/(11.43)	.250/(6.35)
A-42776-84****	8	4	.615/(15.62)	.450/(11.43)	.150/(3.81)
A-42776-82****	8	2	.615/(15.62)	.450/(11.43)	.050/(1.27)

NOTE: ALL RECOMMENDED BOARD LAYOUTS ARE SHOWN AS COMPONENT SIDE OF BOARD

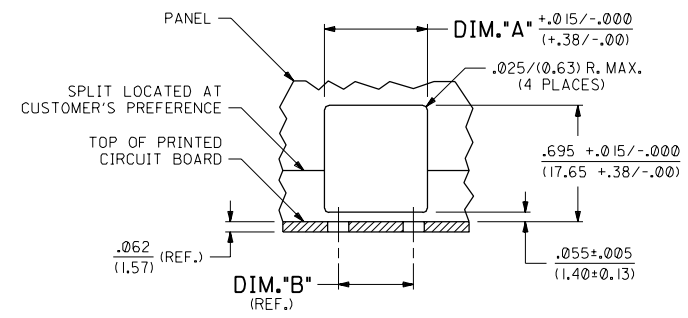


PC BOARD LAYOUT FOR HOUSING SIZE 8



PANEL CUT-OUT GUIDELINES (OPTION 1)

DIM. "A" MUST BE SYMMETRICAL TO DIM. "B" WITHIN .005/(0.13)



PANEL CUT-OUT GUIDELINES (OPTION 2)

DIM. "A" MUST BE SYMMETRICAL TO DIM. "B" WITHIN .005/(0.13)

DIMENSIONS SHOWN (METRIC) INCH			UNLESS OTHERWISE SPECIFIED TOLERANCES: ANGULAR ± 1/2°			REVISIONS			MFG. SH. REV.		
3 PLACE ±	2 PLACE ±	1 PLACE ±	INCH	METRIC		E	SEE SHEET 1	BI	SEE SHEET 1		
						D	SEE SHEET 1	B	SEE SHEET 1		
						C	SEE SHEET 1	A	SEE SHEET 1		
DRAFT WHERE APPLICABLE MUST REMAIN WITHIN DIMENSIONS			DRAWN BY: GLT			CHECKED BY: BAP			DATE: 12/10/90		
APPROVED BY: RAS			SCALE: 4:1			PART NO. SDA-42776-****			SHEET NO. 3		
FILE NAME: SDA4277603.DWG			THIS DRAWING CONTAINS INFORMATION THAT IS PROPRIETARY TO MOLEX INC. AND SHOULD NOT BE USED WITHOUT WRITTEN PERMISSION.			DRAWING NO. SDA-42776-****			DATE: 12/10/90		
						DWN. BY: CP			SITE: C		

13 12 11 10 9 8 7 6 5 4 3 2 1