

DESCRIPTION

The SSI 32R2210R/11R/12R are BiCMOS monolithic integrated circuits designed for use with two-terminal recording heads. They provide a low noise read amplifier, write current control, and data protection circuitry for up to four channels. The SSI 32R2210R/11R/12R option provides internal 350Ω damping resistors. Damping resistors are switched in during write mode and switched out during read mode. The SSI 32R2210/11/12 option does not provide damping resistors. Power supply fault protection is provided by disabling the write current generator during power sequencing. System write to read recovery time is significantly improved by making the read channel outputs high impedance. The device also offers multiple channel "servo bank write" capability to assist in servo writing operations.

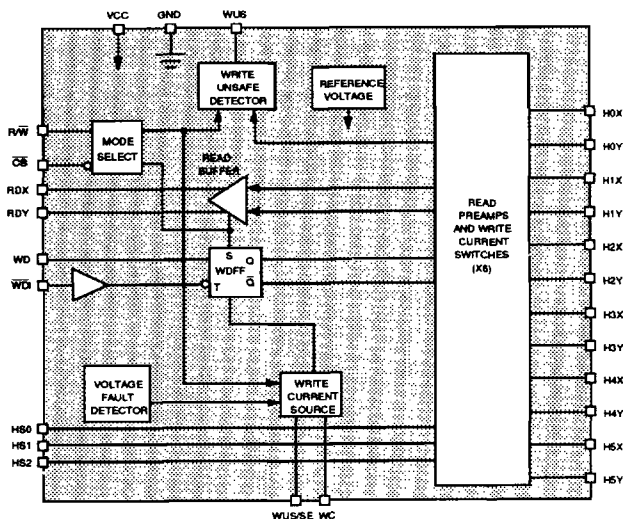
The SSI 32R2210R/11R/12R require only a +5V power supply and are available in a variety of packages. The SSI 32R2211R is hardware compatible with the SSI 32R4610AR and SSI 32R2020R Read/Write devices.

FEATURES

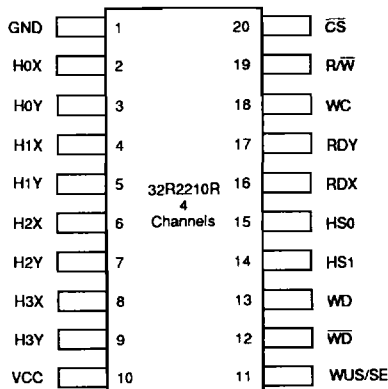
- **+5V ±10% supply**
- **Low power**
 - PD = 105 mW read mode (Nom)
 - PD = 1.0 mW Idle (Max)
- **High Performance:**
 - Read mode gain = 200, 250, 300, 350 V/V
 - Input noise = 0.50 nV/√Hz (Nom)
 - Input capacitance = 7 pF (Nom)
 - Write current range = 3-25 mA
 - Nominal write current (20 mA) rise/fall time = 7.7 ns (Nom) (typical head)
 - Head voltage swing = 7.8 Vp-p (Nom)
- **Servo bank-write capability**
- **Self switching damping resistance**
- **Write unsafe detection** (continued)

3

BLOCK DIAGRAM



PIN DIAGRAM



20-Lead SOV, SOL

CAUTION: Use handling procedures necessary for a static sensitive component.

SSI 32R2210R/11R/12R

+5V, 2-, 4-Channel Thin Film

Read/Write Device

FEATURES (continued)

- Power supply fault protection
- Head short to ground protection
- Differential ECL-like (32R2210R/12R) or TTL (32R2211R) write data inputs
- Write Data Flip/Flop (32R2210R/11R) or no Flip/Flop (32R2212R)

FUNCTIONAL DESCRIPTION

The SSI 32R2210R/11R/12R have the ability to address up to 4 two-terminal heads and provide write drive or read amplification. Mode control and head selection are described in Tables 1 and 2. The TTL inputs $\overline{R/\overline{W}}$ and \overline{CS} have internal pull-up resistors to prevent an accidental write condition. HS0 and HS1 have internal pull down resistors. Internal clamp circuitry will protect the IC from a head short to ground condition in any mode.

TABLE 1: Mode Select

\overline{CS}	$\overline{R/\overline{W}}$	WUS/SE	Mode
0	0	*	Single Channel Write. See Table 2.
0	0	**	Servo Write.
0	1	X	Single Channel Read. See Table 2.
1	X	X	Idle.

* WUS/SE is a WUS output unless pulled above V_{cc} .

** Servo write mode is activated through the WUS pin as described in the servo write mode section.

TABLE 2: Head Select

HS1	HS0	Head
0	0	0
0	1	1
1	0	2
1	1	3

TABLE 3: Head Select in Servo Write Mode (2210R/11R)*

Head Select Address		Head Selected in Servo Write Mode
HS1	HS0	
0	0	0, 1
0	1	0, 1
1	0	2, 3
1	1	0, 1, 2, 3

* Note: For 2-channel parts, heads 0 & 1 are selected in servo write mode, independent of head select address.

TABLE 4: Head Select in Servo Write Mode (2212R)

Head Select Address		Head Selected in Servo Write Mode
HS1*	HS0	
0	0	0, 1
0	1	0, 1, 2, 3
1	0	2, 3
1	1	0, 1, 2, 3

* Note: For 2-channel parts, HS1 = 0.

SSI 32R2210R/11R/12R +5V, 2-, 4-Channel Thin Film Read/Write Device

3

WRITE MODE

Taking both \overline{CS} and R/\overline{W} low selects write mode which configures the SSI 32R2210R/11R/12R as a current switch and activates the Write Unsafe (WUS) detector circuitry. On the 32R2210R, head current is toggled between the X and Y side of the selected head on each low to high transition of $WD-\overline{WD}$. On the 32R2211R, head current is toggled between the X and Y side of the selected head on each high to low transition of the Write Data Input (WDI). Note that a preceding Read to Write transition or Idle to Write transition initializes the Write Data Flip-Flop to pass write current into the "X" side of the device. In this case, the Y side is higher potential than the X side. With the 32R2212R, head current is toggled between the X and Y side of the head on each $WDX-\overline{WDY}$ transition. When the potential of WDX is higher than WDY , the potential on the X side of the head is higher than the Y-Side (HNY is sinking current). The magnitude of the write current (0-pk) is given by:

$$I_w = A_w \cdot \frac{V_{wc}}{R_{wc}} = K / R_{wc}$$

where A_w is the write current gain.

R_{wc} is connected from pin WC to GND . Note the actual head current I_x, y is given by:

$$I_x, y = \frac{I_w}{1 + R_h/R_d}$$

Where:

R_h = Head resistance plus external wire resistance

R_d = Damping resistance

In write mode a 350 Ω damping resistor is switched in across the H_x, H_y ports (32R2210R/11R/12R only).

SERVO WRITE MODE

This mode allows for writing to multiple channels at once, which is useful during servo formatting.

To enable servo write mode follow these steps:

- (1) Place the device in the read mode (R/\overline{W} high).
- (2) Set the head select lines to an address that corresponds to the bank of heads desired for servo write (See Tables 3 and 4).
- (3a) If SE pin is available, make it low.

(3b) If SE pin is not available, pull the WUS output above V_{cc} by sourcing 10 mA of current into the pin. Two ways to source this current are: (a) use a voltage source set to $V_{cc} + 1.9$ volts limited to 10 mA current, or (b) use a resistor tied between WUS and a supply above V_{cc} to source the current. With 10 mA of current, WUS will rise to approximately $V_{cc} + 1.5$ volts.

(4) Allow at least 1 μs setup.

(5) While maintaining steps (2) and (3) above make R/\overline{W} low, placing the device in servo write mode.

POWER SUPPLY FAULT PROTECTION

A voltage fault detection circuit improves data security by disabling the write current generator during a voltage fault or power startup regardless of mode. Note that WUS does not necessarily turn on to flag a power supply fault condition.

HEAD SHORT TO GROUND PROTECTION

The SSI 32R2210R/11R/12R provides a head short to ground protection circuit in write mode. If the selected head is shorted to ground the write current generator will turn off, the WUS flag will go high, and current will be limited to less than 1 mA out of the head port. Note that any unselected head is pulled to ground through internal circuitry. In the idle mode, all heads are similarly pulled to ground.

In read mode, current out of the selected head port will not exceed 3 mA if the head is shorted to ground.

WRITE UNSAFE

Upon entering write mode, WUS is initialized low. Any of the following conditions will be indicated as a high level on the Write Unsafe, WUS, open collector output.

- Write data frequency too low
- Device in read mode
- Device not selected
- No head current
- Open head
- Head short to ground

To insure no false WUS trigger, the product of head current and head resistance ($I_w \cdot R_h$) should be less than $[0.14 (I_w) - 0.2] V$, where I_w is in mA, for I_w range from 3 mA to 10 mA, and less than 1.2V for I_w range from 10 mA to 25 mA. The open head detect circuit is also disabled when write data frequency is above 10 MHz to prevent false WUS detect.

SSI 32R2210R/11R/12R

+5V, 2-, 4-Channel Thin Film

Read/Write Device

WRITE UNSAFE (continued)

WDI frequency too low is detected if the write data frequency falls below 500 kHz. Consult the WUS Safe to Unsafe timing for range of frequency detection.

Device in read mode, Device in servo write mode and Chip disabled will flag WUS if R/\bar{W} is high, if servo write mode is activated, or \bar{CS} is high.

No head current will flag WUS if $Rwc = \infty$ and the selected head is present.

Head opened will flag WUS if $Rh = \infty$ and the write data frequency is less than 10 MHz.

Head short to ground is described in the preceding paragraph.

READ MODE

The read mode configures the SSI 32R2210R/11R/12R as a low noise differential amplifier and deactivates the write current generator. The damping resistor is switched out of the circuit allowing a high impedance input to the read amplifier. The RDX and RDY output are driven by emitter followers. They should be AC coupled to the load. The HnX, HnY inputs are non-inverting to the RDX, RDY outputs.

Note that in idle or write mode, the read amplifier is deactivated and RDX, RDY outputs become high impedance. This facilitates multiple R/W applications (wired-OR RDX, RDY) and minimizes voltage change when switching from write to read mode. Note also that the write current source is deactivated for both the read and idle mode.

IDLE MODE

Taking \bar{CS} high selects the idle mode which switches the RDX and RDY outputs into a high impedance state and deactivates the device. Power consumption in this mode is held to a minimum.

SSI 32R2210R/11R/12R +5V, 2-, 4-Channel Thin Film Read/Write Device

PIN DESCRIPTION

CONTROL/STATUS

NAME	TYPE	DESCRIPTION
\overline{CS}	I	CHIP SELECT INPUT: A logical low level enables the device. This pin has an internal pull up.
$R/\overline{W}\dagger$	I	READ/WRITE: A logical high level enables read mode. A logical low level enables write mode. This pin has an internal pull up.
HS0, HS1	I	HEAD SELECT: Decoded address (internal pull down) selects one of 4 channels. See Table 2.
WUS/SE†	I/O	WRITE UNSAFE/SERVO ENABLE: When in Servo Bank write mode, pulling this pin above Vcc enables servo bank write. See Servo write mode section. Otherwise, a high level indicates an unsafe writing condition. See WUS section.
\overline{SE}	I	SERVO ENABLE: A logic low enables servo write mode.
WC†	I	WRITE CURRENT: A resistor to ground from WC sets the write current through the recording head.

HEAD TERMINAL CONNECTIONS

H0X-H3X H0Y-H3Y	I	X, Y Head Connections
--------------------	---	-----------------------

DATA INPUT/OUTPUT

WDI† (32R2211R)	I	WRITE DATA IN: A negative transition of WDI changes the direction of current in the recording head.
WD, $\overline{WD}\dagger$ (32R2210R)	I	DIFFERENTIAL WRITE DATA IN: A positive transition of WD- \overline{WD} changes the direction of current in the recording head.
WDX, WDY (32R2212R)	I	DIFFERENTIAL WRITE DATA IN: Each transition of WDX-WDY changes the direction of current in the recording head.
RDX, RDY†	O	DIFFERENTIAL READ DATA OUT: Emitter follower output.

POWER

VCC	I	+5V power supply
GND	I	Ground

† When more than one Read/Write device is used, signals can be wire OR'ed.

3

SSI 32R2210R/11R/12R

+5V, 2-, 4-Channel Thin Film

Read/Write Device

ELECTRICAL SPECIFICATIONS

Current maximums are currents with the highest absolute value.

ABSOLUTE MAXIMUM RATINGS

Operation beyond the maximum ratings may damage the device.

PARAMETER		RATING
DC Supply Voltage	Vcc	-0.3 to 6 VDC
Write Current	Iw	65 mA
Digital Input Voltage	Vin	-0.3 to VCC + 0.3 VDC
Head Port Voltage	VH	-0.3 to VCC + 0.3 VDC
WUS Pin Voltage	Vwus	7.5 VDC
Output Current	RDX,RDY	-10 mA
	WUS	+15 mA
Junction Operating Temperature	Tj	+125°C
Storage Temperature		-65 to +150°

RECOMMENDED OPERATING CONDITIONS

DC Supply Voltage	Vcc	5 ± 10%V
Ambient Operating Temperature	Ta	0°C < Ta < 70°C

TEST CONDITIONS

Recommended operating conditions apply.

Write Current	Iw	20 mA
Head Inductance	Lh	1 μH
Head Resistance	Rh	30Ω
WD Frequency		5 MHz
WD, WD rise/fall time	32R2210R	1 ns
WDI rise/fall time	32R2211R	1 ns
WDX, WDY rise/fall time	32R2212R	1 ns

SSI 32R2210R/11R/12R +5V, 2-, 4-Channel Thin Film Read/Write Device

POWER DISSIPATION

Recommended operating conditions apply.

PARAMETER	CONDITIONS	MIN	NOM	MAX	UNIT
VCC Supply Current	Read mode $I_w = 20 \text{ mA}$		21	30	mA
	Write mode $I_w = 20 \text{ mA}$		42	55	mA
	Idle mode		0.04	0.2	mA
Power Dissipation	Read mode $I_w = 20 \text{ mA}$		105	165	mW
	Write mode $I_w = 20 \text{ mA}$		210	303	mW
	Idle mode		0.2	1	mW

3

DIGITAL INPUTS

Input High Voltage HSX, $\overline{\text{CS}}$, R/W, WDI	Vih		2			VDC
Input Low Voltage HSX, $\overline{\text{CS}}$, R/W, WDI	Vil				0.8	VDC
Input High Current HSX, $\overline{\text{CS}}$, R/W, WDI	Iih	Vih = 2V			100	μA
Input Low Current HSX, $\overline{\text{CS}}$, R/W, WDI	Iil	Vil = 0.8V	-0.4			mA
WDX, WDY, WD, WD Input High Voltage	Vih	32R2210R/12R	Vcc - 1.1		Vcc - 0.4	VDC
WDX, WDY, WD, WD Input Low Voltage	Vil	32R2210R/12R	Vih - 2		Vih - 0.25	VDC
WDX, WDY, WD, WD Input High Current		Vih = Vcc-0.4V (32R2210R/12R)		2	50	μA
WDX, WDY, WD, WD Input Low Current		Vih = Vcc-1.45V (32R2210R/12R)	-50	0	50	μA
WUS Output Low Voltage	Vol	Iol = 2 mA max		0.2	0.5	VDC

SSI 32R2210R/11R/12R

+5V, 2-, 4-Channel Thin Film

Read/Write Device

ELECTRICAL SPECIFICATIONS (continued)

WRITE CHARACTERISTICS

Test conditions apply unless otherwise specified.

PARAMETER	CONDITIONS	MIN	NOM	MAX	UNIT
Write Current Range		3		25	mA
Write Current Voltage V_{wc}			2		V
Write Current Gain A_w	$I_w = A_w \cdot V_{wc}/R_{wc}$		26		mA/mA
Write Current Constant "K"	$I_w = K/R_{wc}$	45	50	55	V
Differential Head Voltage Swing	Open Head, $I_w = 20$ mA	6.5	7.8		Vp-p
Head Differential R_d	32R2210/11/12	2.4	3	3.6	k Ω
Load Resistance	32R2210R/11R/12R	280	350	420	Ω
WD Pulse Width (See Figure 1)	PWH	5			ns
	PWL	5			ns
Unselected Head Voltage			0	0.1	VDC
Unselected Head Current	DC		0	0.2	mA
VCC Fault Voltage	$I_w \leq 0.2$ mA	3.4	3.8	4.3	V
Head Current H_{nX}, H_{nY}	Vcc fault condition	-200		200	μ A

SERVO WRITE CHARACTERISTICS

Write Current Range		3		25	mA
Write Current Matching	Between channels		$\pm 10\%$		
WUS/SE Voltage	Servo Bank Write Enabled		$V_{cc} + 1.5$	$V_{cc} + 1.9$	V
WUS/SE Sink Current	Servo Bank Write Enabled	10			mA

SSI 32R2210R/11R/12R +5V, 2-, 4-Channel Thin Film Read/Write Device

READ CHARACTERISTICS

Test conditions apply unless otherwise specified. CL (RDX, RDY) < 20 pF, RL (RDX, RDY) = 1 kΩ.

PARAMETER	CONDITIONS	MIN	NOM	MAX	UNIT
Differential Voltage Gain	Vin = 1 mVp-p @1 MHz 2210RX/11RX/12RX	250	300	350	V/V
	2210RW	200	250	300	V/V
	2210RV/11RV	165	200	235	V/V
Voltage BW	-1 dB Zs < 5Ω, Vin = 1 mVp-p	30	40		MHz
	-3 dB	65	85		MHz
Input Noise Voltage	BW = 15 MHz, Lh = 0, Rh = 0		0.50	0.65	nV/√Hz
Input Noise Current			3.5		pA/√Hz
Differential Input Capacitance	Vin = 1 mVp-p, f = 5 MHz		7.5	12	pF
Differential Input Resistance	Vin = 1 mVp-p, f = 5 MHz	500	850		Ω
Dynamic Range	AC input voltage where gain falls to 90% of its small signal gain value, f = 5 MHz	2	9		mVp-p
Common Mode Rejection Ratio	Vin = 0 VDC + 100 mVp-p @ 5 MHz	50	70		dB
Power Supply Rejection Ratio	100 mVp-p @ 5 MHz on Vcc	50	70		dB
Channel Separation	Unselected channels driven with Vin = 0 VDC + 100 mVp-p	50	60		dB
Output Offset Voltage	Lh = 0, Rh = 0	-250		+250	mV
Single Ended Output Resistance	f = 5 MHz		35	50	Ω
Output Current	AC coupled load, RDX to RDY	2	2.8		mA
RDX, RDY Common Mode Output Voltage			Vcc - 2.5		VDC

3

SSI 32R2210R/11R/12R

+5V, 2-, 4-Channel Thin Film

Read/Write Device

ELECTRICAL SPECIFICATIONS (continued)

SWITCHING CHARACTERISTICS

Test conditions apply unless otherwise specified.

PARAMETER		CONDITIONS	MIN	NOM	MAX	UNIT
Read to Write	$R\bar{W}$	$R\bar{W}$ to 90% of write current		0.06	0.4	μs
Write to Read		$R\bar{W}$ to 90% of 100 mV Read signal envelope		0.1	0.4	μs
Unselect to Select	\bar{CS}	CS to 90% of 100 mV 10 MHz Read signal envelope		0.08	0.6	μs
Select to Unselect		CS to 10% of write current		0.04	0.6	μs
HS0,1 to any Head		To 90% of 100 mV 10 MHz Read signal envelope		0.06	0.6	μs
Safe to Unsafe (TD1)	WUS	Write mode, loss of WDI, WD transitions; Defines max WDI, WD period for WUS operation	0.6	2	3.6	μs
Unsafe to Safe (TD2)		Fault cleared: from first negative WDI transition		0.15	0.6	μs
WD to lx - ly (TD3)		From 50% points (Lh = 0, Rh = 0)		4	7	ns
Asymmetry		WDI has 1 ns rise/fall time (Lh = 0, Rh = 0)		0.1	0.5	ns
Rise/fall Time		10% to 90% points Iw = 20 mA, Rh = 0, Lh = 0		1	3	ns
		Iw = 20 mA, Rh = 30 Ω , Lh = 1 μH		7.7	10	ns

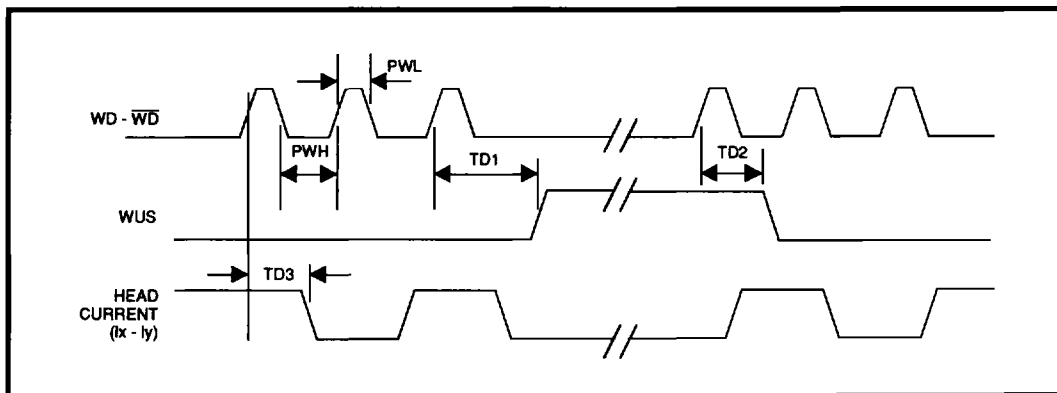


FIGURE 1: 32R2210R Write Mode Timing Diagram

SSI 32R2210R/11R/12R
+5V, 2-, 4-Channel Thin Film
Read/Write Device

3

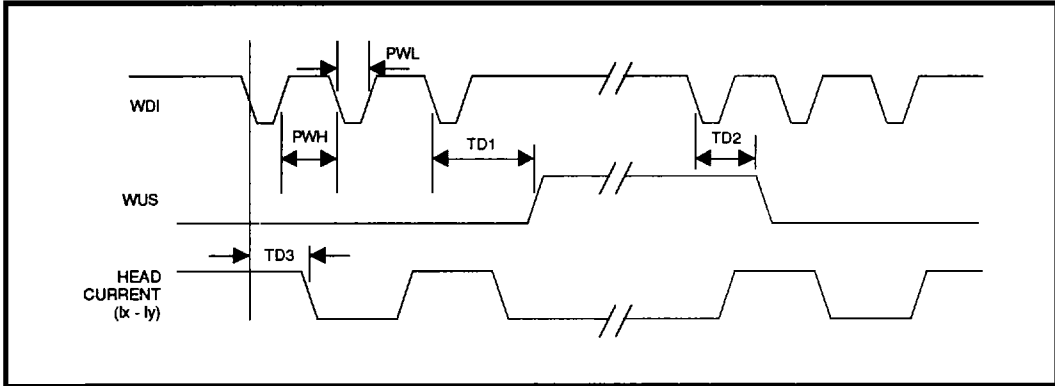


FIGURE 2: 32R2211R Write Mode Timing Diagram

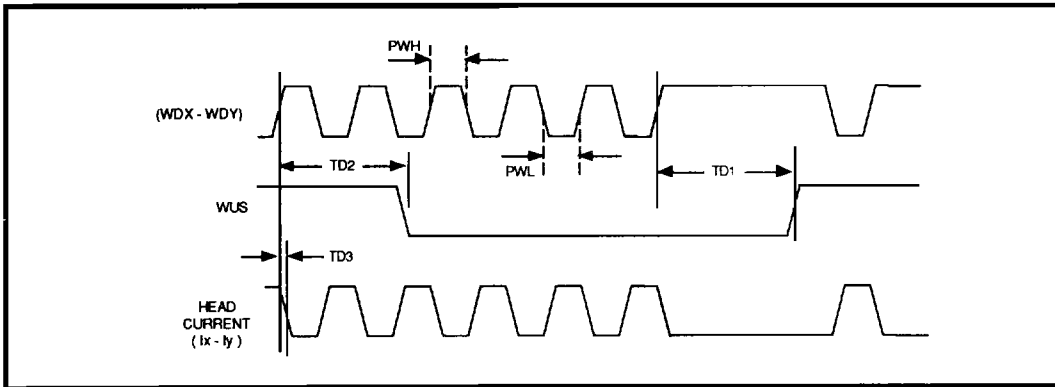


FIGURE 3: 32R2212R Write Mode Timing Diagram

SSI 32R2210R/11R/12R

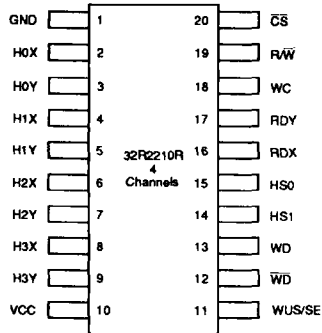
+5V, 2-, 4-Channel Thin Film

Read/Write Device

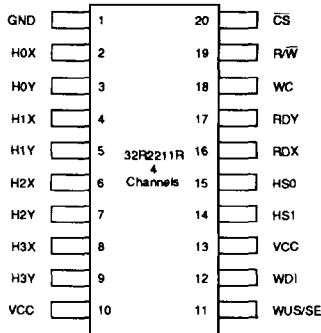
PACKAGE PIN DESIGNATIONS

(Top View)

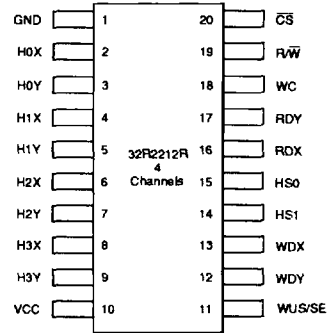
CAUTION: Use handling procedures necessary for a static sensitive component.



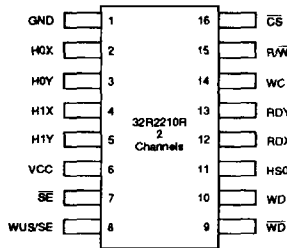
20-Lead SOV, SOL



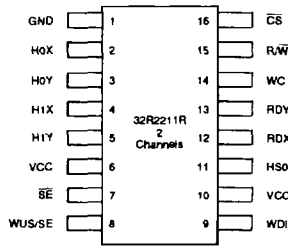
20-Lead SOV, SOL



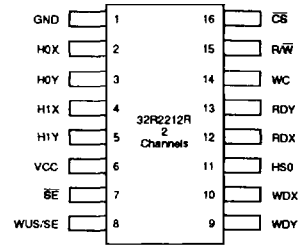
20-Lead SOV, SOL



16-Lead SOL



16-Lead SOL



16-Lead SOL

SSI 32R2210R/11R/12R +5V, 2-, 4-Channel Thin Film Read/Write Device

ORDERING INFORMATION

PACKAGE MARKING			PART DESCRIPTION				
PACKAGE MARKING	ORDER NUMBER	PACKAGE	CHANNELS	FLIP FLOP	INPUT TYPE	VOLT GAIN	
32R2210RX	32R2210RX-4	32R2210RX-4CV	20-Lead SOV	4	Yes	PECL	300
	32R2210RX-4	32R2210RX-4CL	20-Lead SOL	4			
	32R2210RX-2	32R2210RX-2CL	16-Lead SOL	2			
32R2210RW	32R2210RW-4	32R2210RW-4CV	20-Lead SOV	4	Yes	PECL	250
	32R2210RW-4	32R2210RW-4CL	20-Lead SOL	4			
	32R2210RW-2	32R2210RW-2CL	16-Lead SOL	2			
32R2210RV	32R2210RV-4	32R2210RV-4CV	20-Lead SOV	4	Yes	PECL	200
	32R2210RV-4	32R2210RV-4CL	20-Lead SOL	4			
	32R2210RV-2	32R2210RV-2CL	16-Lead SOL	2			
32R2211RX	32R2211RX-4	32R2211RX-4CV	20-Lead SOV	4	Yes	TTL	300
	32R2211RX-4	32R2211RX-4CL	20-Lead SOL	4			
	32R2211RX-2	32R2211RX-2CL	16-Lead SOL	2			
32R2211RV	32R2211RV-4	32R2211RV-4CV	20-Lead SOV	4	Yes	TTL	200
	32R2211RV-4	32R2211RV-4CL	20-Lead SOL	4			
	32R2211RV-2	32R2211RV-2CL	16-Lead SOL	2			
32R2211RY	32R2211RY-4	32R2211RY-4CV	20-Lead SOV	4	Yes	TTL	350
	32R2211RY-4	32R2211RY-4CL	20-Lead SOL	4			
	32R2211RY-2	32R2211RY-2CL	16-Lead SOL	2			
32R2212RX	32R2212RX-4	32R2212RX-4CV	20-Lead SOV	4	No	PECL	300
	32R2212RX-4	32R2212RX-4CL	20-Lead SOL	4			
	32R2212RX-2	32R2212RX-2CL	16-Lead SOL	2			

*When ordering devices without damping resistors remove the "R" designation. e.g., 32R2210X-4CV

3

No responsibility is assumed by Silicon Systems for use of this product nor for any infringements of patents and trademarks or other rights of third parties resulting from its use. No license is granted under any patents, patent rights or trademarks of Silicon Systems. Silicon Systems reserves the right to make changes in specifications at any time without notice. Accordingly, the reader is cautioned to verify that the data sheet is current before placing orders.

Silicon Systems, Inc., 14351 Myford Road, Tustin, CA 92680-7022 (714) 573-6000, FAX (714) 573-6914