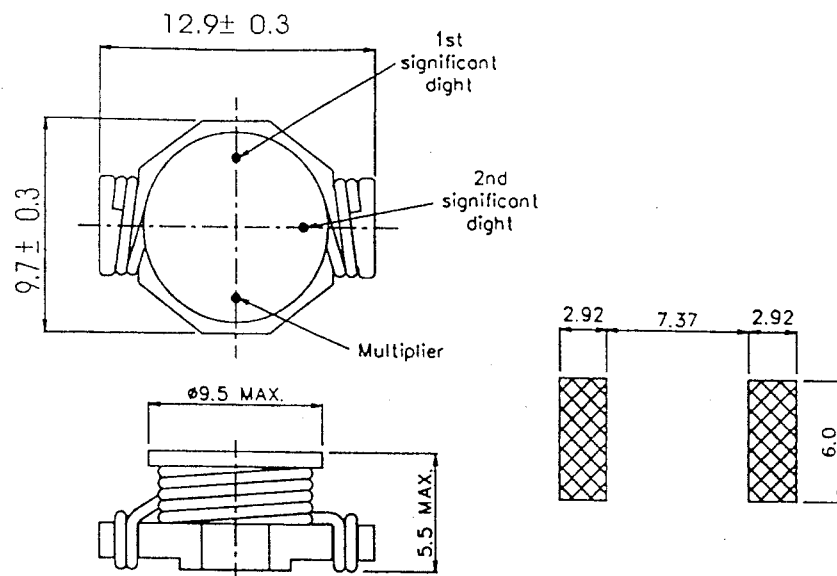


SMD POWER CHOKE CSN084S

MARK INDEX

- 1=BROWN
- 2=RED
- 3=ORANGE
- 4=YELLOW
- 5=GREEN
- 6=BLUE
- 7=PURPLE
- 8=GRAY
- 9=WHITE
- 0=BLACK



UNIT:mm

PART NO.	MARK	INDUCTANCE	TEST FREQ.	D.C.R. (at 20°C) Max. (Ω)	Isat (A)	I _{rms} (A)
CSN084S-1R0M	102	1.0uH± 20%	100KHz	0.009	9.0	6.8
CSN084S-1R5M	152	1.5uH± 20%	100KHz	0.010	8.0	6.4
CSN084S-2R2M	222	2.2uH± 20%	100KHz	0.012	7.0	6.1
CSN084S-3R3M	332	3.3uH± 20%	100KHz	0.015	6.4	5.4
CSN084S-4R7M	472	4.7uH± 20%	100KHz	0.018	5.4	4.8
CSN084S-6R8M	682	6.8uH± 20%	100KHz	0.027	4.6	4.4
CSN084S-100M	103	10.0uH± 20%	100KHz	0.038	3.8	3.9
CSN084S-150M	153	15.0uH± 20%	100KHz	0.046	3.0	3.1
CSN084S-220M	223	22.0uH± 20%	100KHz	0.085	2.6	2.7
CSN084S-330M	333	33.0uH± 20%	100KHz	0.100	2.0	2.1
CSN084S-470M	473	47.0uH± 20%	100KHz	0.140	1.6	1.8
CSN084S-680M	683	68.0uH± 20%	100KHz	0.200	1.4	1.5
CSN084S-101M	104	100.0uH± 20%	100KHz	0.280	1.2	1.3
CSN084S-151M	154	150.0uH± 20%	100KHz	0.400	1.0	1.0
CSN084S-221M	224	220.0uH± 20%	100KHz	0.610	0.8	0.8
CSN084S-331M	334	330.0uH± 20%	100KHz	1.020	0.6	0.6
CSN084S-471M	474	470.0uH± 20%	100KHz	1.270	0.5	0.5
CSN084S-681M	684	680.0uH± 20%	100KHz	2.020	0.4	0.4
CSN084S-102M	105	1000.0uH± 20%	100KHz	3.000	0.3	0.3

※ Inductance drop no more than 10% at Isat applied or temperature rise $\Delta t \leq 15^\circ\text{C}$ at I_{rms}.



FRONTIER ELECTRONICS CO., LTD.

4 TH FL. NO. 48, MIN CHUAN RD., HSIN TIEN, TAIPEI HSIEN, TAIWAN, R.O.C.

TEL: (02) 29147685-9

FAX: (02) 29186304

03/31/00 D

FECLS00026