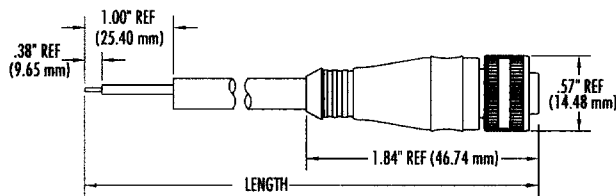


# Micro-Change® Dual Keyway Plugs with Shielded Cable

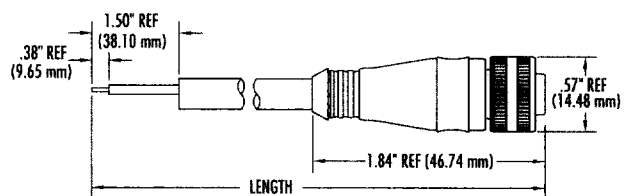
## Product Specifications

<p><b>MECHANICAL</b></p> <p>PLUG FACE MATERIAL: NYLON 6/6</p> <p>MOLDED BODY MATERIAL: PVC</p> <p>CONTACT MATERIAL: COPPER ALLOY</p> <p>CONTACT PLATING: GOLD - 5<math>\mu</math> IN. (MIN)</p> <p>COUPLING NUT MATERIAL: PALLADIUM/NICKEL - 20<math>\mu</math> IN. (MIN)</p> <p>ZINC DIECAST EPOXY-COAT</p> <p>(ALSO AVAILABLE IN STAINLESS STEEL OR NON-METALLIC)</p> <p>O-RING: NITRILE RUBBER</p> <p>CABLE: COLOR - YELLOW</p> <p>JACKET MATERIAL - PVC</p> <p>INNER CONDUCTOR INSULATION MATERIAL - PVC</p> <p>SHIELD ALUMINUM MYLAR</p> <p>STRANDING - 22 AWG: 26 X #36</p> <p>OUTSIDE DIAMETER: 2/C - .22"</p> <p>3/C - .23"</p> <p>4/C - .25"</p> <p>5/C - .27"</p> <p>CABLE STRAIN RELIEF: 35 POUNDS MIN. - PER UL STD. 514</p>	<p><b>ELECTRICAL</b></p> <p>VOLTAGE RATING: 300VAC/300VDC</p> <p>AMPERAGE: 2/3 POLE - 5A, 4/5 POLE - 4A</p> <p>CONTACT RESISTANCE: <math>\leq 5m\Omega</math>, (AFTER 500 MATE/UNMATE CYCLES - PER MIL STD. 1344, 3004.1)</p> <p>ISOLATION RESISTANCE: <math>\geq 1000M\Omega</math></p> <p><b>ENVIRONMENTAL</b></p> <p>PROTECTION: IP 68, NEMA 6P - PER NEMA STD. 250</p> <p>AMBIENT OPERATING TEMP: -20° TO +105°C</p> <p>CORROSION RESISTANCE: 500 HOUR SALT SPRAY - PER MIL STD. 202F</p> <p>VIBRATION RESISTANCE: 10 - 500 HZ @ 10g - PER MIL STD. 202F, 204D, CONDITION A</p> <p>HIGH PRESSURE WATER SPRAY: 1000 PSI</p> <p><b>CERTIFICATIONS</b></p> <p>UL: UL LISTED, FILE NO. E152210</p> <p>CSA: CSA CERTIFIED, FILE NO. LR6837</p> <p>VDE: SPACINGS TO VDE 0110 GROUP C (250VAC/300VDC)</p>
--	--

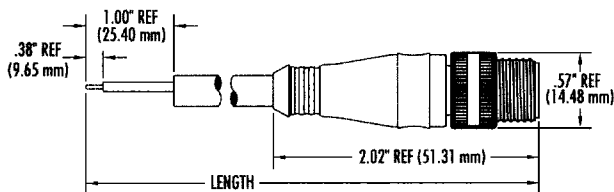
**Straight Female Plug / 2-4 Pole**



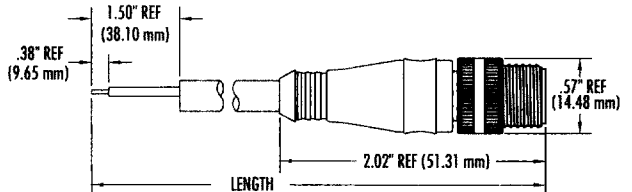
**Straight Female Plug / 5 Pole**



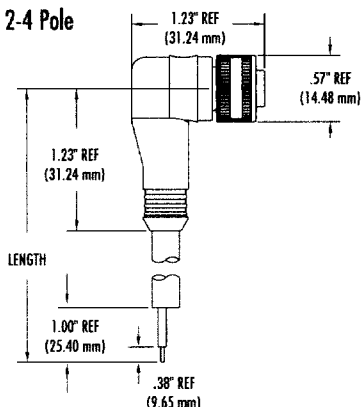
**Male Plug with External Threads / 2-4 Pole**



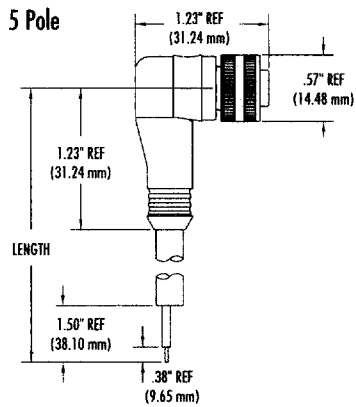
**Male Plug with External Threads / 5 Pole**



**90° Female / 2-4 Pole**

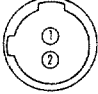

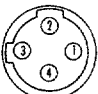
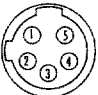


**90° Female / 5 Pole**



# Micro-Change® Dual Keyway Plugs with Shielded Cable

## PLUGS WITH PVC SHIELDED CABLE

POLES	FACE VIEW MALE	WIRING CODE	CABLE LENGTH ft/m	FEMALE STRAIGHT	FEMALE 90°	MALE STRAIGHT WITH EXTERNAL THREADS
<b>2</b>		1-BROWN 2-BLUE	6 ft/1.83m	702000A13F060	702001A13F060	702006A13F060
			12 ft/3.66m	702000A13F120	702001A13F120	702006A13F120
			20 ft/6.10m	702000A13F200	702001A13F200	702006A13F200
<b>3</b>		1-GREEN 2-RED/BLACK 3-RED/WHITE	6 ft/1.83m	703000A13F060	703001A13F060	703006A13F060
			12 ft/3.66m	703000A13F120	703001A13F120	703006A13F120
			20 ft/6.10m	703000A13F200	703001A13F200	703006A13F200
<b>4</b>		1-RED/BLACK 2-RED/WHITE 3-RED 4-GREEN	6 ft/1.83m	704000A13F060	704001A13F060	704006A13F060
			12 ft/3.66m	704000A13F120	704001A13F120	704006A13F120
			20 ft/6.10m	704000A13F200	704001A13F200	704006A13F200
<b>5</b>		1-RED/WHITE 2-RED 3-GREEN 4-RED/YELLOW 5-RED/BLACK	6 ft/1.83m	705000A13F060	705001A13F060	705006A13F060
			12 ft/3.66m	705000A13F120	705001A13F120	705006A13F120
			20 ft/6.10m	705000A13F200	705001A13F200	705006A13F200