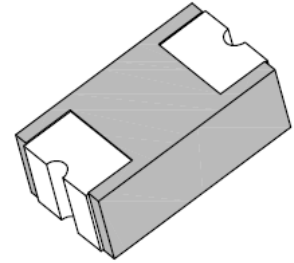


1.0A Low Profile Chip Schottky Rectifier

Features

- Lead less chip form, no lead damage
- Lead-free solder joint, no wire bond & lead frame
- Low power loss, High efficiency
- High current capability, Low voltage drop
- Plastic package has Underwriters Laboratory Flammability Classification 94V-0
- RoHS compliant and Halogen-Free
- Comply with AEC-Q101



**C1206
(SOD-123)**



**HALOGEN
FREE**

Application

- Switching mode power supply applications
- Portable equipment battery applications
- General rectification
- DC/DC Converter
- Telecommunication
- Automotive

Mechanical Data

Case:	Packed with FRP substrate and epoxy underfilled
Terminals:	Pure Tin plated, solderable per MIL-STD-750, Method 2026
Polarity:	Laser cathode band marking
Weight:	0.012 gram

1.0A Low Profile Chip Schottky Rectifier

TSCD12WH - TSCD110WH

Maximum Ratings ($T_{Ambient}=25^{\circ}\text{C}$ unless noted otherwise)

Symbol	Description	TSCD12 WH	TSCD14 WH	TSCD16 WH	TSCD110 WH	Unit	Conditions
	Marking Code	A2	A4	A6	A10		
VRRM	Maximum Repetitive Peak Reverse Voltage	20	40	60	100	V	
IF(AV)	Average Forward Rectified Current	1.0				A	
IFSM	Peak Forward Surge Current	20				A	8.3ms single half sine-wave
TJ	Operating Junction temperature range	-55 to +125		-55 to +150		$^{\circ}\text{C}$	
TSTG	Storage Temperature Range	-55 to +150				$^{\circ}\text{C}$	

Electrical Characteristics ($T_{Ambient}=25^{\circ}\text{C}$ unless noted otherwise)

Symbol	Description	Typ.	Max.	Unit	Conditions	
VF	Instantaneous Forward Voltage Drop (Note 1)	TSCD12WH TSCD14WH	0.32	-	V	IF=0.1A IF=0.5A IF=1.0A
			0.40	-		
			0.46	0.50		
		TSCD16WH	0.35	-	V	IF=0.1A IF=0.5A IF=1.0A
			0.48	-		
			0.62	0.70		
		TSCD110WH	0.45	-	V	IF=0.1A IF=0.5A IF=1.0A
			0.66	-		
			0.76	0.85		
IR	Repetitive Peak Reverse Current(Note 1)	0.015	0.2	mA	VR=Max. VRRM Ta=25 $^{\circ}\text{C}$	
CJ	Typical Junction Capacitance	110	-	pF	VR=4V, f=1MHz	
Rth(JA)	Thermal Resistance Junction to Ambient	88	-	$^{\circ}\text{C}/\text{W}$	See Note 2	
Rth(JL)	Thermal Resistance Junction to Lead	28	-	$^{\circ}\text{C}/\text{W}$	See Note 2	

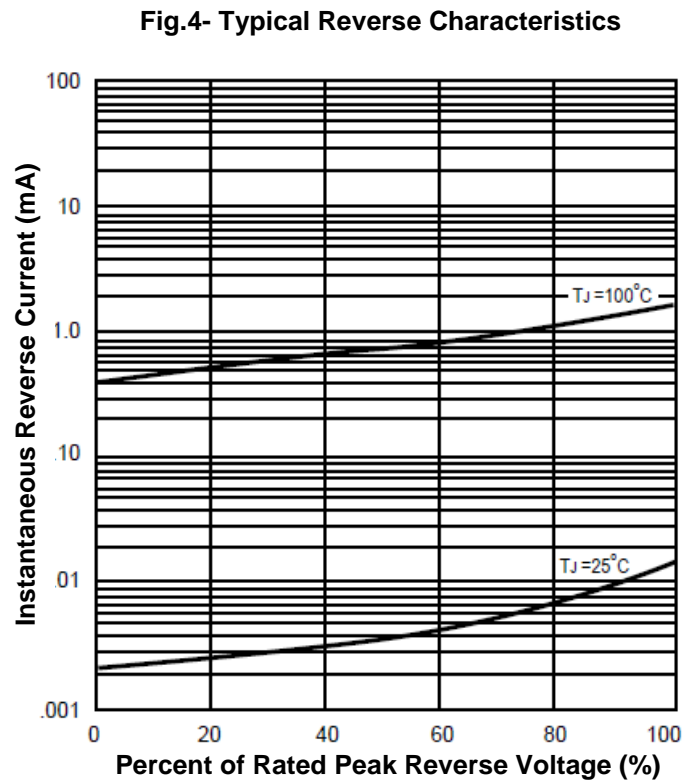
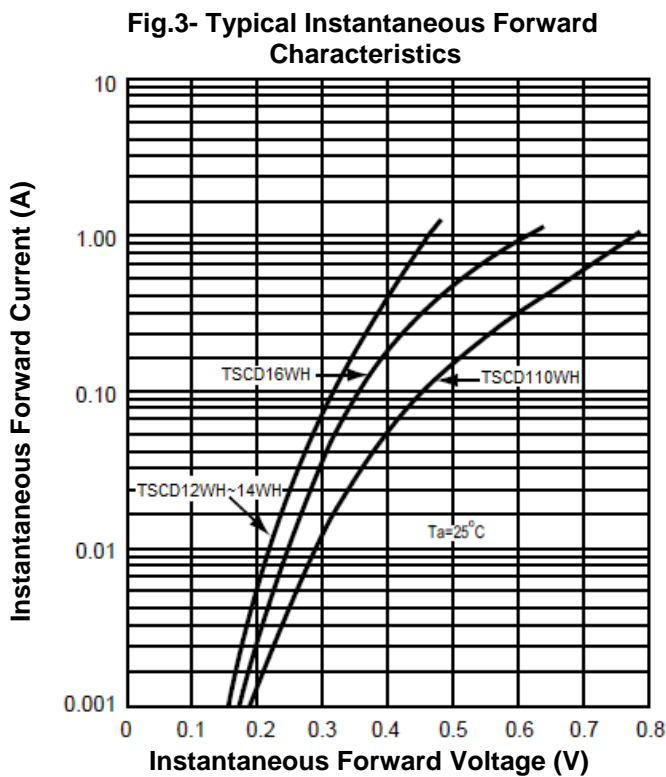
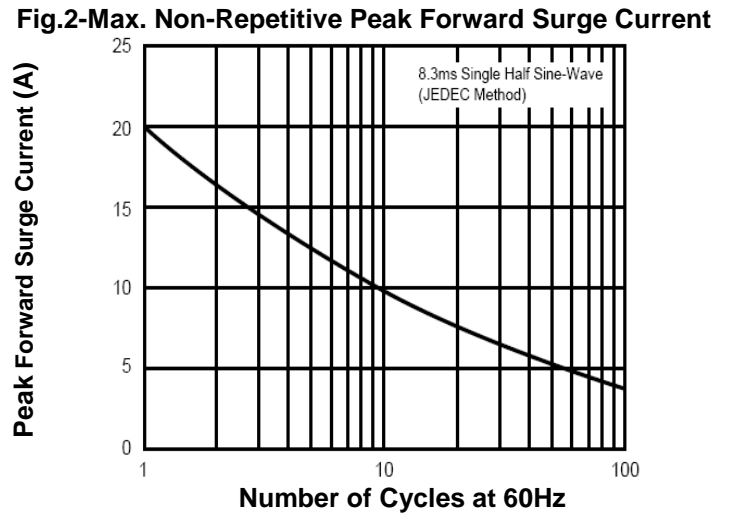
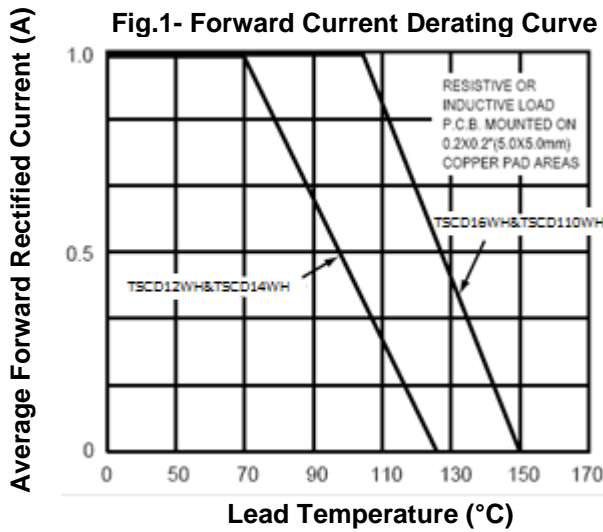
Note: 1. Pulse test width PW=300 μs , 1% duty cycle.

2. Mounted on P.C. board with 0.2x0.2" (5.0x5.0mm) copper pad areas.

1.0A Low Profile Chip Schottky Rectifier

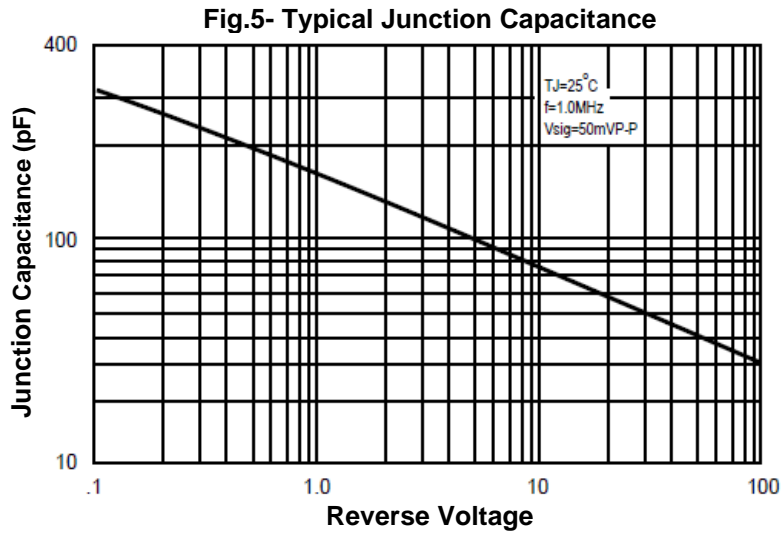
TSCD12WH - TSCD110WH

Typical Characteristics Curves

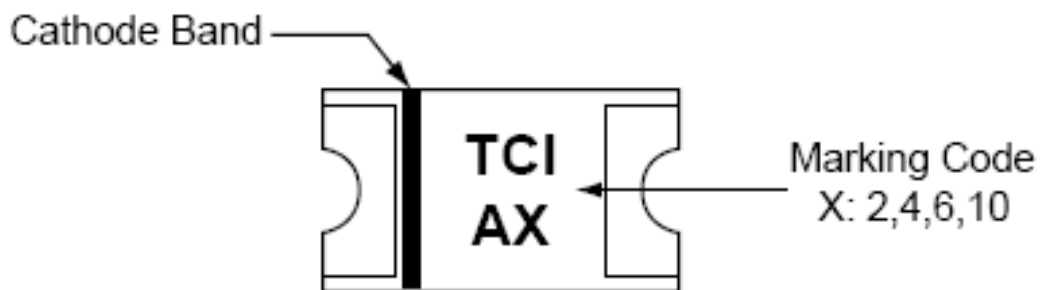


1.0A Low Profile Chip Schottky Rectifier

TSCD12WH - TSCD110WH



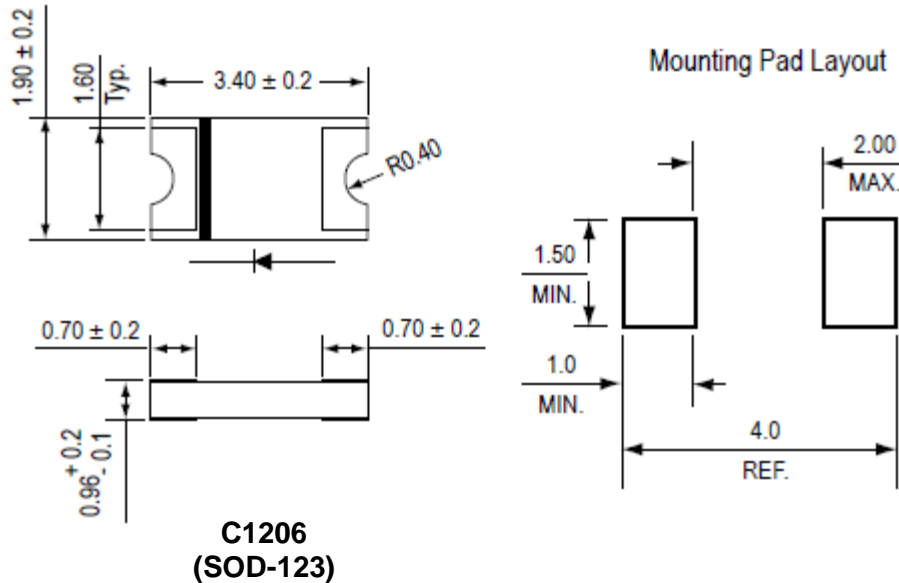
Marking Information:



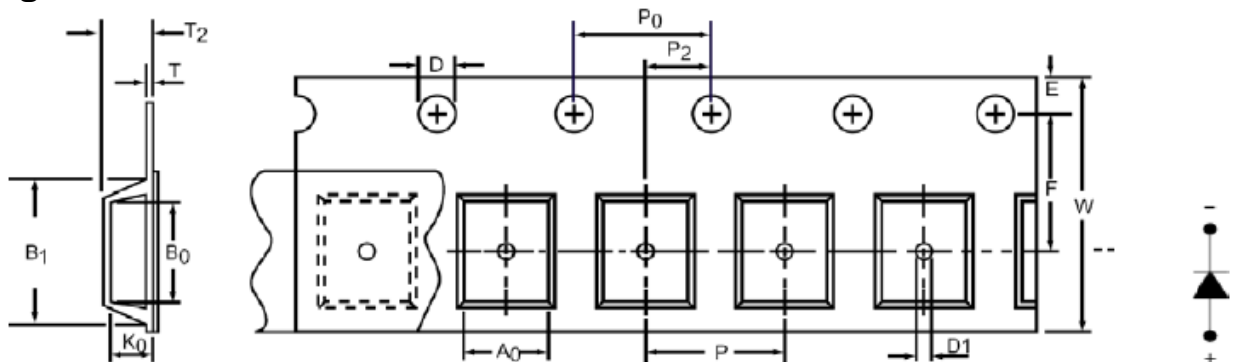
1.0A Low Profile Chip Schottky Rectifier

TSCD12WH - TSCD110WH

Dimensions in mm



Packing Information in mm



Product Type	A0	B0	K0	D	E	P0	T
	See Note			1.5±0.1	1.75±0.10	4.0±0.1	0.4max.
C1206	P2	B1	D1	F	P	W	T2
	2.0±0.1	8.2max.	1.5min.	5.50±0.05	4.0±0.1	12.0±0.3	1.75±0.10

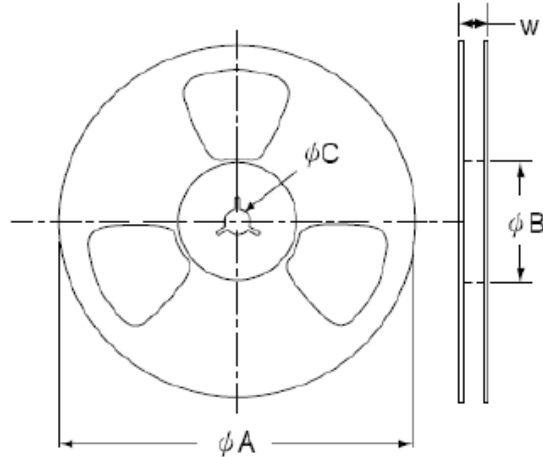
Note: Symbol A0, B0, K0 are determined by the maximum dimensions of the component size.

The clearance between the component and the cavity must be within 0.05 mm (0.002") min. to 0.50 mm (0.02") max. for 12 mm tape.

1.0A Low Profile Chip Schottky Rectifier

TSCD12WH - TSCD110WH

Reel Dimensions in mm



Product Type	ΦA	ΦB	ΦC	W
C1206	178.0 \pm 2.0	50.0min.	13.0 \pm 0.5	18.7max.

Packing Quantity Information:

Quantity	PCS per Inner Box	PCS per Carton
TR70 Tape & Reel	3,000/Reel	72,000

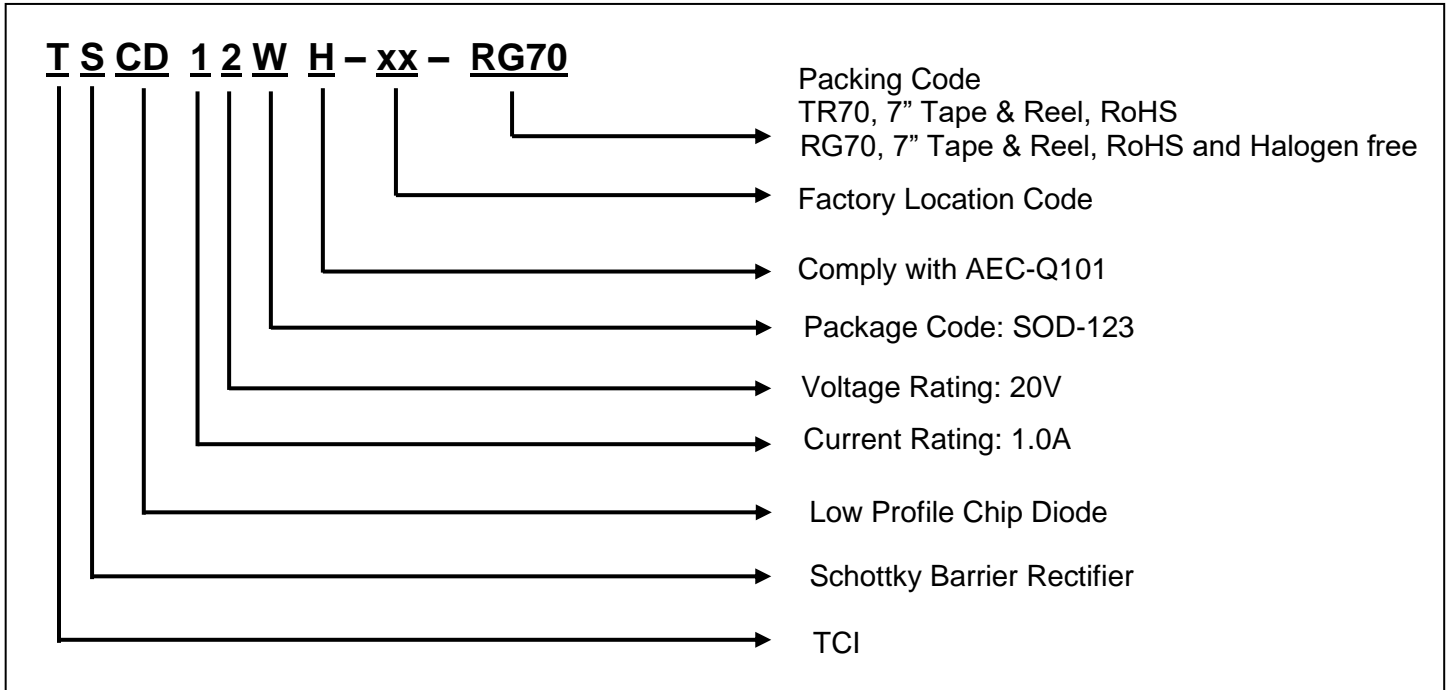
Carton Size Information:

Cartoon Size
400X207X240 (in mm)

1.0A Low Profile Chip Schottky Rectifier

TSCD12WH - TSCD110WH

How to Order



How to contact us

USA HEADQUARTERS

28040 WEST HARRISON PARKWAY, VALENCIA, CA 91355-4162

Tel: (800)-TAITRON (800)-824-8766 (661)-257-6060

Fax: (800)-TAITFAX (800)-824-8329 (661)-257-6415

Email: taitron@taitroncomponents.com

Http://www.taitroncomponents.com

TAITRON COMPONENTS INCORPORATED TAIWAN BRANCH

6F., NO.190, SEC. 2, ZHONGXING RD., XINDIAN DIST., NEW TAIPEI CITY 23146, TAIWAN R.O.C.

Tel: 886-2-2913-6238

Fax: 886-2-2913-6239

TAITRON COMPONENT TECHNOLOG SHANGHAI CORPORATION

SUITE 1503, METROBANK PLAZA, 1160 WEST YAN'AN ROAD, SHANGHAI, 200052, CHINA

Tel: +86-21-5424-9942

Fax: +86-21-2302-5027