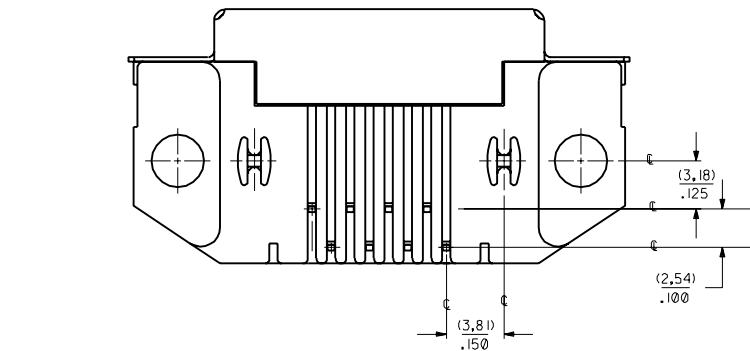
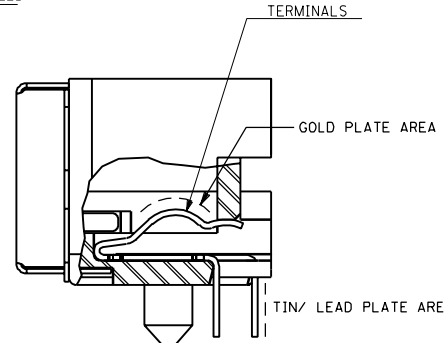
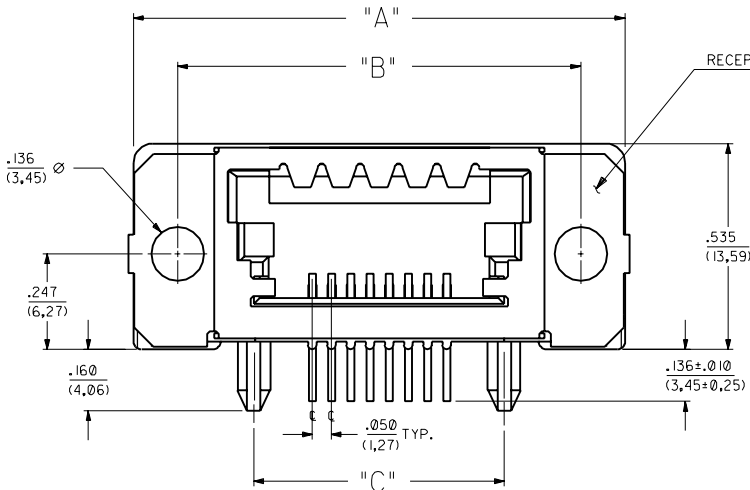
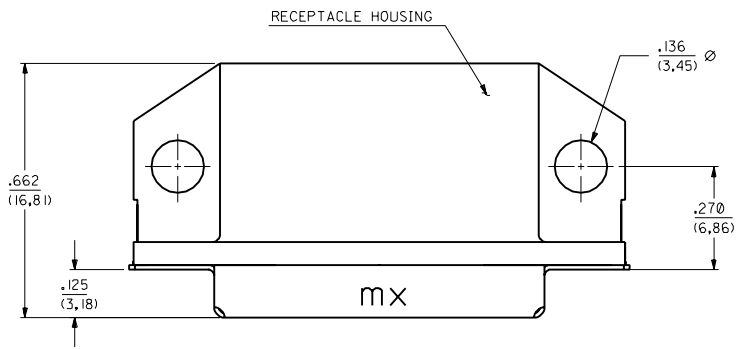


13	12	11	10	9	8	7	6	71355	4	3	2	1			
NON-KEYED VERSION A-71355-00**			KEYING OPTION "1" A-71355-01**		KEYING OPTION "2" A-71355-02**		CKT. SIZE	DIM. "A"		DIM. "B"		DIM. "C"		DIM. "D"	
E.D.P. NUMBER		ENG. NUMBER	E.D.P. NUMBER		ENG. NUMBER			MM	IN.	MM	IN.	MM	IN.	MM	IN.
015-83-0004		A-71355-0004	015-83-0034		A-71355-0104		4	27,30	1.075	21,59	.850	11,43	.450	3,81	.150
015-83-0006		A-71355-0006	015-83-0036		A-71355-0106		6	29,84	1.175	24,13	.950	13,97	.550	6,35	.250
015-83-0008		A-71355-0008	015-83-0038		A-71355-0108		8	32,38	1.275	26,67	1.050	16,51	.650	8,89	.350
015-83-0016		A-71355-0016	015-83-0046		A-71355-0116		16	42,54	1.675	36,83	1.450	26,67	1.050	19,05	.750



- NOTES: 1. FOR ILLUSTRATION PURPOSES AN 8 CIRCUIT ASSEMBLY IS SHOWN.
 2. MATERIAL:
 HOUSING: GLASS FILLED LIQUID CRYSTAL POLYMER (LCP), UL94 V-0, COLOR: BLACK.
 SHIELD: BRASS WITH (2.54 MICROMETER)/100 MICROINCH MINIMUM BRIGHT TIN OVER NICKEL.
 CONTACTS: PHOSPHOR BRONZE
 SELECTIVE GOLD (Au) IN THE CONTACT AREA:
 THICKNESS=(1.27 MICROMETER)/50 MICROINCH MINIMUM;
 SELECTIVE TIN-LEAD (Sn-Pb) ALLOY IN THE PC TAIL AREA:
 THICKNESS=(2.54 MICROMETER)/100 MICROINCH MINIMUM;
 NICKEL (Ni) UNDERPLATE OVER ENTIRE PIN.
 3. ASSEMBLIES ARE PACKAGED PER SPEC PK-70873-0008.
 4. PRODUCT SPEC IS PS-71350-A.
 5. APPLICATION SPEC IS AS-71355.

NON-KEYED VERSION SHOWN

71355	
G1	CHG. NOTE 5 PER UDT2002-0476 ICAR/KICJ 01/09/25
C	FIX PCB LAYOUT EON: UDT2000-0921 BARKER 00/03/29
F	REVISED NOTES PER ECR #101804 8/17/88 BIXLER
E	REVISED DIM. "A" PER ECR # 10566 10/26/87 CB/JL
D	REVISE TO DETAILS PER ECR #1045 5/29/87 CAB
C	REMOVED MTG. FLANGE CORE PER ECR # 9314 07/29/86 J. LONG
B	REVISED PER ECR # 9274 07/10/86 J. LONG
A	ADDED EDP NO.5 PER ECR # 22328 06/16/86 J. LONG
2	UPDATE & ADD CIRCUIT PER ECR # 20876 02/25/85 C. BIXLER
MFG. SH.	REV. LTR. REVISIONS

DIMENSIONS SHOWN (METRIC) INCH
 UNLESS OTHERWISE SPECIFIED
 TOLERANCES: ANGULAR ± 1/2°

5 PLACE	± .010	---
2 PLACE	± .014	± 0,25
1 PLACE	---	± 0,36

DRAFT WHERE APPLICABLE MUST REMAIN WITHIN DIMENSIONS

SALES ASSEMBLY
 SEMCONN SHIELDED RECEPTACLE
 RIGHT ANGLE, WITHOUT GROUND TABS

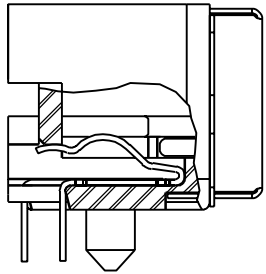
MOLEX INCORPORATED
 L15LE,ILL. 60532 U.S.A.

SHEET NO. 1 OF 2
 DATE 02/11/85

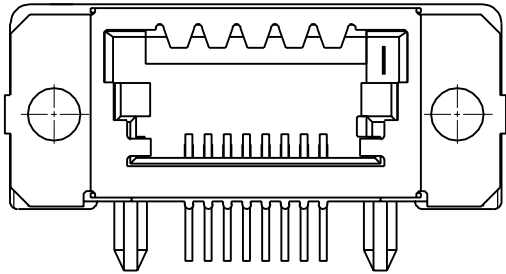
PART NO. SDA-71355-0***
 DRWG. NO. TC

DRW'G. BY J. Long
 CHK'D. BY BIXLER
 FILE NAME S71355X0
 APP'D. BY IT SCALE 4:1

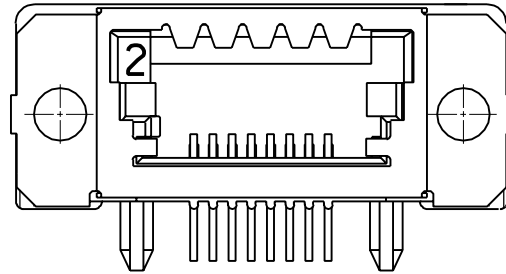
THIS DRAWING CONTAINS INFORMATION THAT IS PROPRIETARY TO MOLEX INC. AND SHOULD NOT BE USED WITHOUT WRITTEN PERMISSION.



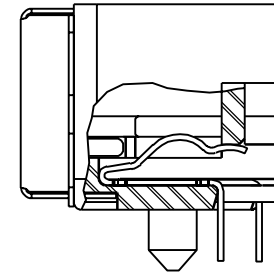
KEYING OPTION "1"



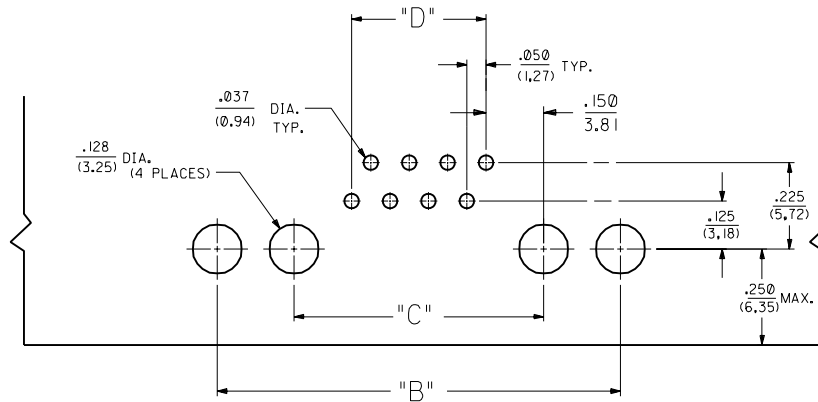
A-71355-01**



KEYING OPTION "2"



A-71355-02**



RECOMMENDED P.C.B. LAYOUT
RECEPTACLE SIDE SHOWN

G	SEE SHEET I
F	SEE SHEET I
D	SEE SHEET I
C	SEE SHEET I
B	SEE SHEET I
A	SEE SHEET I
2	SEE SHEET I

DIMENSIONS SHOWN (METRIC) INCH		▽ = 0		◻ = 0		REVISE ONLY ON CAD SYSTEM	
UNLESS OTHERWISE SPECIFIED TOLERANCES ANGULAR ± 1/2°		TITLE					
INCH		SALES ASSEMBLY					
METRIC		SEMCONN SHIELDED RECEPTACLE					
3 PLACE ± .010		RIGHT ANGLE, WITHOUT GROUND TABS					
2 PLACE ± .014 ± 0.25		MOLEX INCORPORATED		SHEET NO. 2		DATE 02/11/85	
1 PLACE --- ± 0.36		L15LEJLL 69532		U.S.A.			
DRAFT WHERE APPLICABLE MUST REMAIN WITHIN DIMENSIONS		PART NO.		DRWG. NO.			
DRAWN BY J L		CHK'D BY BIXLER		SEE CHART		SDA-71355-0***	
APP'D BY I T		SCALE 4 : 1		FILE NAME S71355K0		DIV. SIZE TC C	
				THIS DRAWING CONTAINS INFORMATION THAT IS PROPRIETARY TO MOLEX INC. AND SHOULD NOT BE USED WITHOUT WRITTEN PERMISSION.			