

2-channel PRE / REC amplifier with auto-tracking interface

BA7181FS

The BA7181FS is a PRE / REC amplifier developed for use in video cassette recorders. It has been designed for use in two-head decks and features built-in FB damping, two preamplifiers, a chroma output amplifier, an FM output amplifier (with AGC), an envelope detector, a constant-current BTL-drive REC amplifier (with AGC) and built-in channel and REC / PB switches on a single monolithic IC.

●Applications

VCRs

●Features

- 1) The playback amplifier has a total gain of 57dB (Typ.), and has a low-noise preamplifier. Designed for VHS-band operation with low external parts count. The IC has two circuits for two-head VCR applications.
- 2) Two playback output systems (through output and AGC output). The AGC output level is 300mV_{P-P}(Typ.); suitable for FM brightness signal output.
- 3) Auto-tracking interface is provided for automated tracking adjustment. The detector characteristic is linear, and the sensitivity can be adjusted using external components.
- 4) The recording amplifier uses constant-current BLT drive that handles load variations (i.e. head impedance) well, and gives stable recording characteristics. A single circuit is provided for two-head VCR use.
- 5) Built-in recording level AGC means adjustment of FM recording current is not necessary.
- 6) Head switches for two-channel PRE / REC system provided.
- 7) Operates off a single 5V power supply, with low power dissipation.

●Absolute maximum ratings (Ta = 25°C)

Parameter	Symbol	Limits	Unit
Applied voltage	V _{CC}	7.0	V
Power dissipation	P _d	937.5*	mW
Operating temperature	T _{opr}	- 20 ~ + 65	°C
Storage temperature	T _{stg}	- 55 ~ + 150	°C

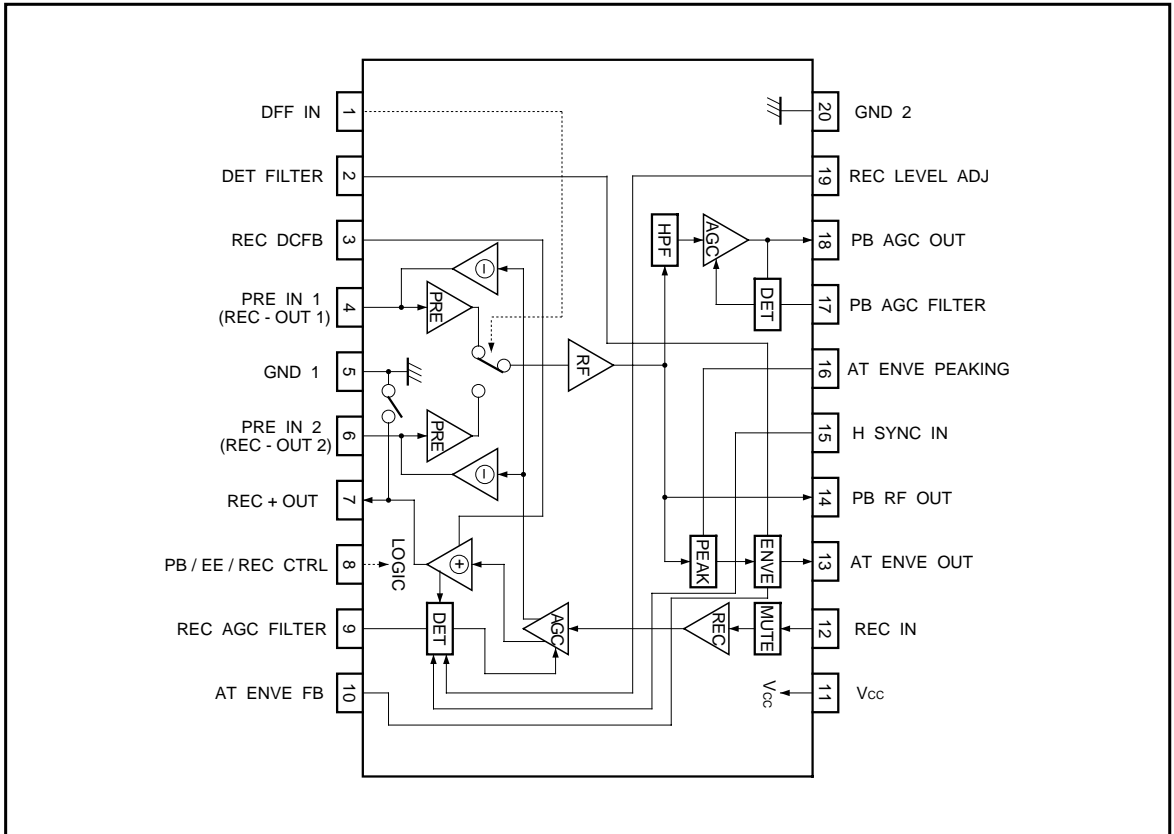
* When mounted on a 90mm × 50mm, t = 1.6mm glass epoxy board.
Reduced by 7.5mW for each increase in Ta of 1°C over 25°C.

●Recommended operating (Ta = 25°C)

Parameter	Symbol	Min.	Typ.	Max.	Unit	Conditions
Playback / recording (voltage range)	V _{CC}	4.5	5.0	5.5	V	11pin

○Not designed for radiation resistance.

●Block diagram



●Electrical characteristics (unless otherwise noted, Ta = 25°C, Vcc = 5.0V and f = 4.0MHz)

Parameter	Symbol	Min.	Typ.	Max.	Unit	Conditions	Measurement circuit
〈Playback system〉 (Fig. 1 measurement circuit, pin 8: "H")							
Quiescent current	I _{q(P)}	—	18	45	mA	No signal	Fig.1
Voltage gain CH-1	G _{VP1}	54	57	60	dB	Pin 4 input = 0.3mV _{P-P} , pin 1: L, pin 14 output measurement	Fig.1
Voltage gain CH-2	G _{VP2}	54	57	60	dB	Pin 6 input = 0.3mV _{P-P} , pin 1: H, pin 14 output measurement	Fig.1
Voltage gain differential	ΔG _{VP}	—	0	1	dB	ΔG _{VP} = G _{VP1} - G _{VP2}	Fig.1
Frequency characteristic	ΔG _{Vf}	-7	-3	0	dB	Difference in pin 14 output level for f = 8.0 / 1.0MHz, V _{IN} = 0.3mV _{P-P}	Fig.1
2nd harmonic distortion*	2HD _P	—	-45	—	dBc	V _{IN} = 0.3mV _{P-P} , 8.0MHz spurious	Fig.1
3rd harmonic distortion*	3HD _P	—	-45	—	dBc	V _{IN} = 0.3mV _{P-P} , 12.0MHz spurious	Fig.1
Maximum output level	V _{OMP}	1.0	1.5	—	V _{P-P}	When pin 14 output 2nd harmonic distortion is -30dBc	Fig.1
Crosstalk	CT _P	—	-38	-32	dBc	Difference in pin 14 output level for pin 1: H / L	Fig.1

* Design reference values.

Parameter	Symbol	Min.	Typ.	Max.	Unit	Conditions	Measurement circuit
(Playback system) (Fig. 1 measurement circuit, pin 8: "H")							
Output DC offset	ΔV_{ODC}	—	0	150	mV _{P-P}	Pin 14 output DC offset for pin 1: H / L	Fig.1
Input conversion noise*	V_{NIN}	—	0.25	—	μV_{rms}	Rg = 10 Ω , input conversion of pin 14 output noise	Fig.1
AGC output level	V_{AGC}	250	300	350	mV _{P-P}	$V_{IN} = 0.3mV_{P-P}$, pin 18 output measurement	Fig.1
AGC control sensitivity	ΔV_{AGC}	—	0.3	2.0	dB	Pin 18 output difference for $V_{IN} = 0.15 \sim 0.6mV_{P-P}$	Fig.1
AGC amp frequency characteristic*	ΔG_{VAF}	—	0.5	—	dB	Pin 18 output level difference for f = 8.0 / 1.0MHz, $V_{IN} = 0.3mV_{P-P}$	Fig.1
PB switch ON resistance*	R_{ON7}	—	4	—	Ω	Pin 7 impedance	Fig.1
PRE CH 2 threshold voltage	V_{TH1H}	3.5	—	V_{CC}	V	Pin 1 DC voltage for channel 2 operation	Fig.1
PRE CH 1 threshold voltage	V_{TH1L}	0	—	1.2	V	Pin 1 DC voltage for channel 1 operation	Fig.1
ENVE residual voltage	V_{ENV1}	—	0.7	1.0	V	Pin 13 output measurement with no signal	Fig.1
ENVE output level	V_{ENV2}	2.4	2.9	3.4	V	Pin 13 output measurement when pin 14 output = 400mV _{P-P}	Fig.1
ENVE saturation voltage	V_{ENV3}	4.0	4.5	—	V	Pin 13 output measurement for large signal	Fig.1
PB mode holding voltage	V_{TH10H}	3.8	—	V_{CC}	V	Pin 8 DC voltage for PB mode	Fig.1
EE mode holding voltage	V_{TH10M}	2.2	—	2.8	V	Pin 8 DC voltage for REC MUTE mode	Fig.1
REC mode holding voltage	V_{TH10L}	0	—	1.2	V	Pin 8 DC voltage for REC mode	Fig.1

Note: dBc: dB below carrier (used to express relative level from carrier reference for convenience sake).

*: Design reference values.

(unless otherwise noted, Ta = 25°C, V_{CC} = 5.0V, f = 4.0MHz and I_{oAR} = 30mA_{P-P})

Parameter	Symbol	Min.	Typ.	Max.	Unit	Conditions	Measurement circuit
(Recording system) (Pin 8 in Fig. 2 measurement circuit "L")							
Supply current	$I_{Q(R)}$	—	72	110	mA _{P-P}	No signal	Fig.2
Recording AGC level	I_{oAR}	27	30	33	mA	Pin 12 input = 125mV _{P-P} , pin 7 output measurement	Fig.2
AGC control sensitivity	ΔI_{oAR}	—	0.3	1.5	dB	Pin 7 output level difference for pin 12 input = 62.5mV _{P-P} and 250mV _{P-P}	Fig.2
REC Amp frequency characteristic*	ΔI_{oAF}	—	-1.5	—	dB	Pin 7 output level difference for f = 8.0 / 1.0MHz, pin 12 input = 125mV _{P-P}	Fig.2
2nd harmonic distortion*	2HDR	—	-45	—	dBc	Pin 12 input = 125mV _{P-P} , 8MHz spurious	Fig.2
3rd harmonic distortion*	3HDR	—	-50	—	dBc	Pin 12 input = 125mV _{P-P} , 12.0MHz spurious	Fig.2
Cross modulation distortion*	CMDR	—	-50	—	dBc	4.0MHz \pm 630kHz spurious	Fig.2
Maximum output level	I_{oMR}	40	50	—	mA _{P-P}	When pin 7 output 2nd harmonic distortion is -30dB	Fig.2
Recording current load characteristic*	ΔI_{oRL}	—	-0.35	—	dB	Pin 7 output level difference for load L: 8.2 ~ 12 μ H	Fig.2
Mute attenuation ratio	MUR	—	-45	-38	dBc	Pin 7 output level difference for pin 8: M / H	Fig.2
AGC mode holding voltage	V_{TH15H}	2.7	—	V_{CC}	V	Pin 15 DC voltage to maintain recording AGC operation	Fig.2
AGC mode holding voltage	V_{TH15L}	0	—	1.2	V	Pin 15 DC voltage to maintain recording AGC stopped	Fig.2

*: Design reference values.

● Measurement circuits
(Playback system)

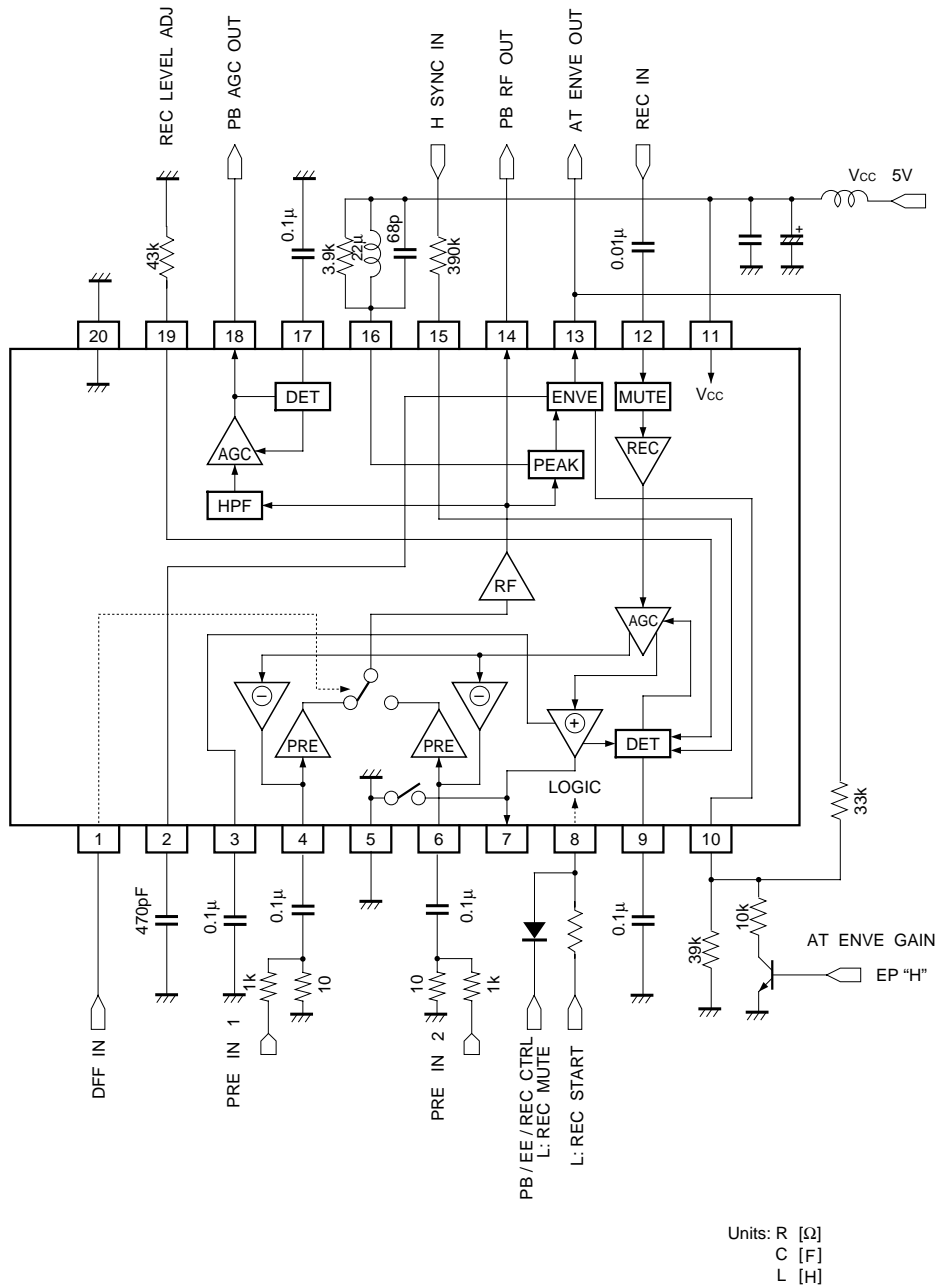


Fig.1

(Recording system)

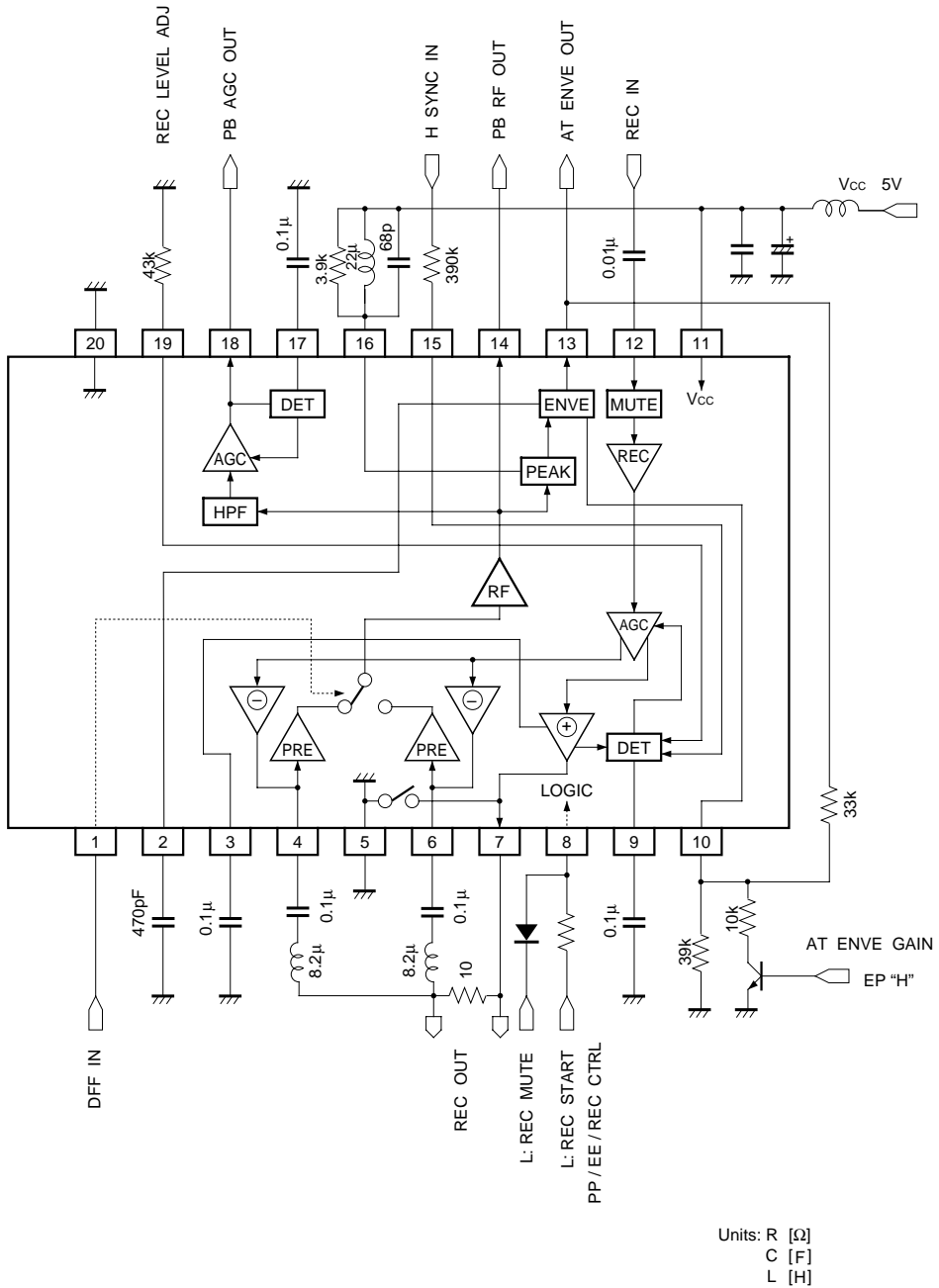


Fig.2

●Control mode tables

(1) DFF IN (pin 1)

- Playback input selection (head switching)

Control pin	Function	Control voltage V_{CTRL1} [V]
DFF IN	Selected playback input	
H	Channel2 (PRE IN2 7pin)	$3.5 \sim V_{CC}$
L	Channel1 (PRE IN1 5pin)	$0.0 \sim 1.2$

(2) H SYNC IN (pin 15)

- Controls recording AGC detector block operation.

Control pin	Function	Control voltage V_{CTRL15} [V]
H SYNC	AGC detector	
H	ON	$2.7 \sim V_{CC}$
L	OFF	$0.0 \sim 1.2$

(3) PB / EE / REC CTRL (pin 8)

- Playback / recording mute / recording mode switching

Control pin PB / EE / REC	Mode	Function				Control voltage V_{CTRL9} [V]
		PRE AMP	AT ENVE	REC MUTE	REC AMP	
H	PB	ON	ON	OFF	OFF	$3.8 \sim V_{CC}$
M	REC MUTE	OFF	OFF	ON	ON	$2.2 \sim 2.8$
L	REC	OFF	OFF	OFF	ON	$0.0 \sim 1.2$

* Pin 8 is pulled up to V_{CC} via a 33k Ω resistor.

●Application example

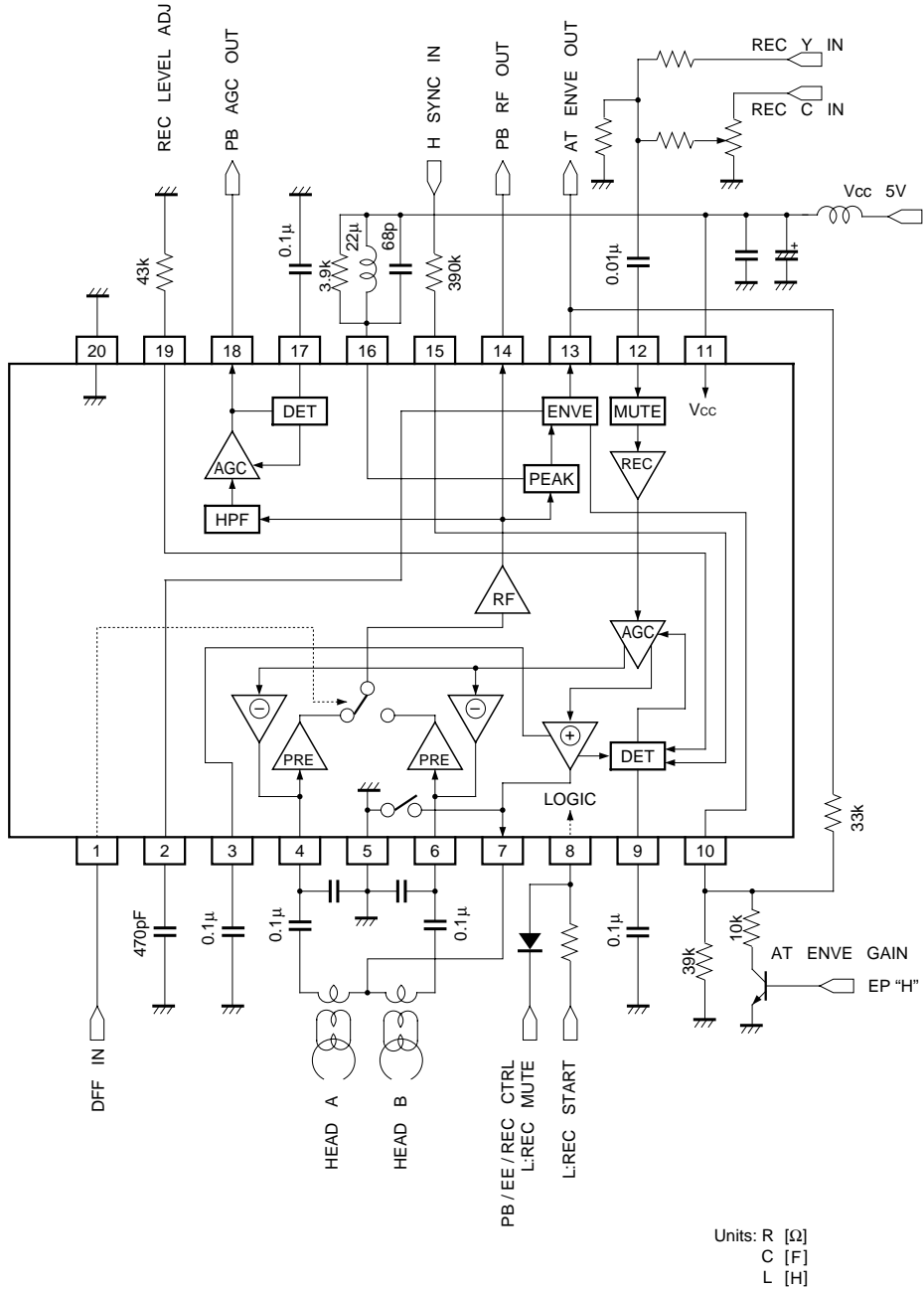


Fig.3

●External dimensions (Units: mm)

