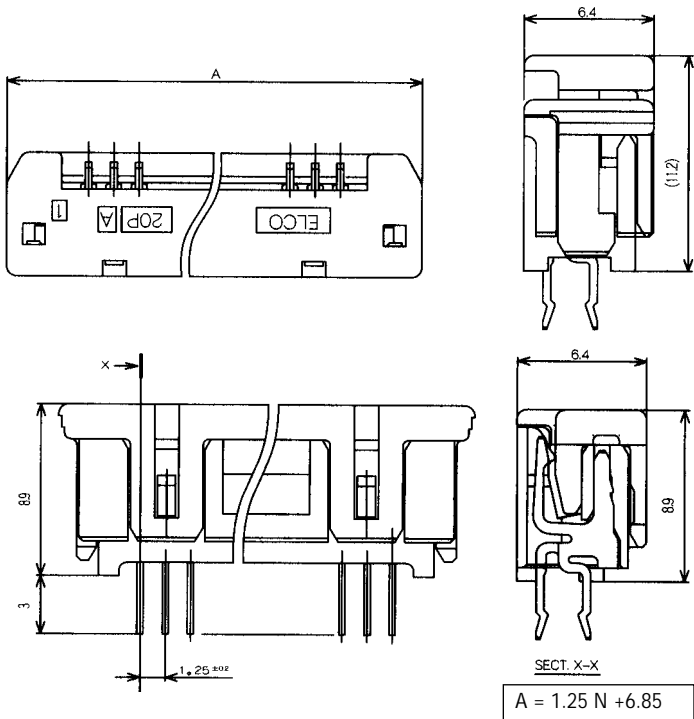


FFC/FPC Connectors 1.25mm Pitch

Series 6205 ZIF Straight Through-Hole



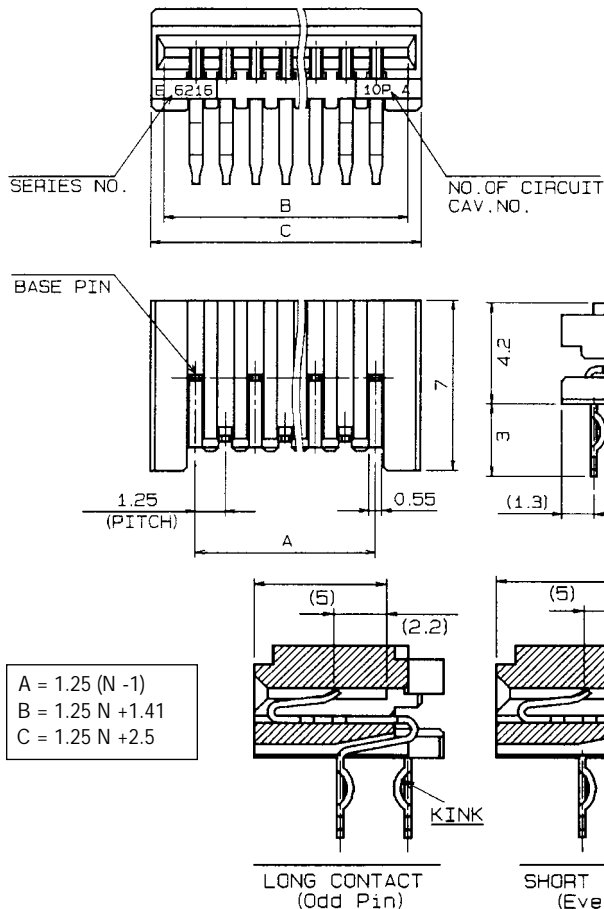
ORDERING CODE

00 6205 XX0 500 825
 TRAY PACKAGE NUMBER OF POSITIONS (08-40)

Specifications

- Number of Positions – 8-40
- Tray Packaged
- Voltage – 125 V
- Current Rating – 1.0 amp max.
- Dielectric Withstanding Voltage – 500V rms/min.
- Operating Temperature – (-40°C - +90°C)
- Contact Material – phosphor bronze (tin-lead plated)
- Insulator Material – glass-filled PBT, (UL 94 V-O) black color
- Slider Material – glass-filled PBT, (UL 94 V-O) beige color
- FFC/FPC Thickness – 0.3 ±0.05 mm (0.012 ±0.002")
- PCB Thickness – 1.6mm (0.063")
- Profile Height – 8.9mm (0.350")

Series 6216 LIF Right Angle Through-Hole (Bottom Contact)



ORDERING CODE

XX 6216 0XX 10X 808
 NUMBER OF POSITIONS (04-30) VARIATION CODE
 0: WITH KINKED LEGS (EACH TWO PINS AT BOTH ENDS)
 1: WITHOUT KINKED LEGS
 00: TRAY PACKAGE
 28: TUBE PACKAGE

Specifications

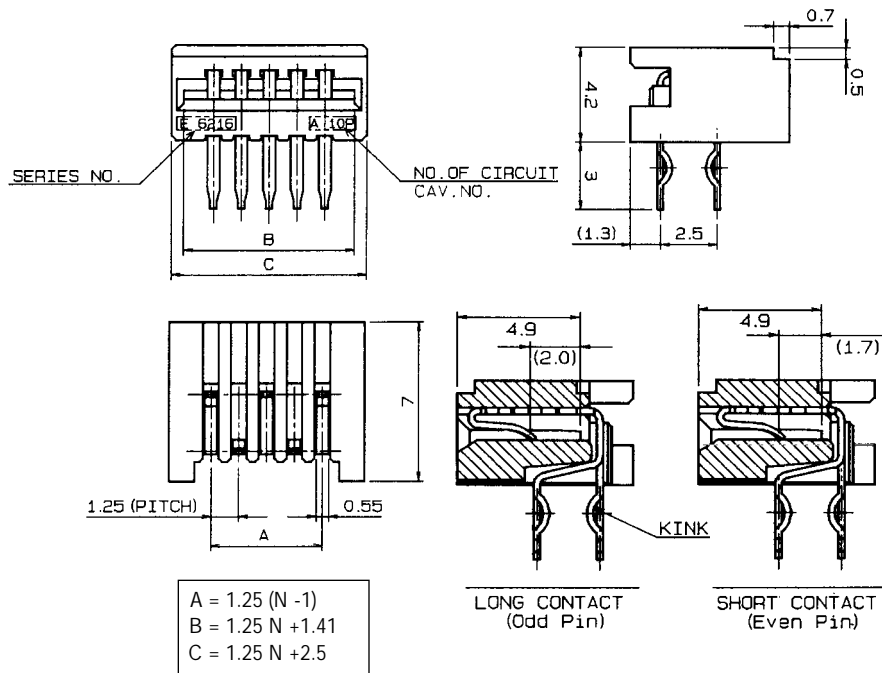
- Number of Positions – 4-40
- Tube Packaged or Tray Packaged
- Voltage – 200 V
- Current Rating – 1.0 amp max.
- Dielectric Withstanding Voltage – 500V rms/min.
- Operating Temperature – (-20°C - +85°C)
- Contact Material – phosphor bronze (tin-lead plated)
- Insulator Material – glass-filled PBT, (UL 94 V-O) black color
- FFC/FPC Thickness – 0.3 ±0.05 mm (0.012 ±0.002")
- PCB Thickness – 1.0-1.6mm (0.039-0.633")
- Profile Height – Straight – 7.0mm (0.276")
 Right Angle – 4.2mm (0.165")
- Reverse footprint for straight type also available – contact sales office for details

Additional information on this product is available from AVX's catalog or AVX's FAX Service. Call 1-800-879-1613 and request document #283. Visit our website <http://www.avxcorp.com>

FFC/FPC Connectors 1.25mm Pitch



Series 6216 LIF Right Angle Through-Hole (Top Contact)



ORDERING CODE

XX 6216 OXX 11X 808

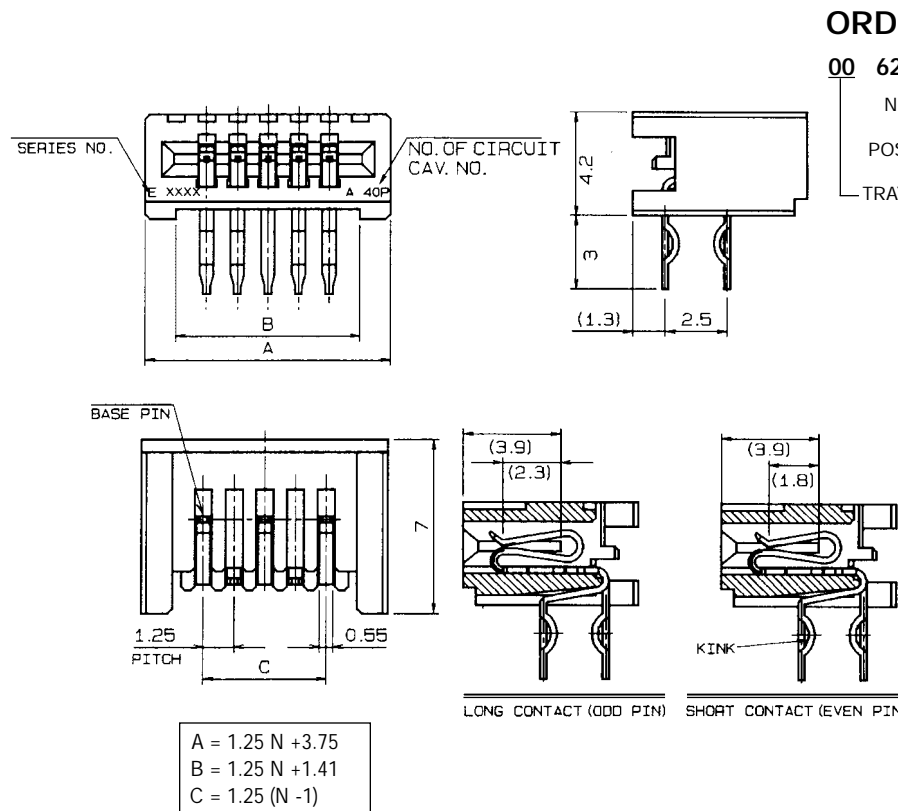
00: TRAY PACKAGE
 28: TUBE PACKAGE
 NUMBER OF POSITIONS (04-30)

VARIATION CODE
 0: WITH KINKED LEGS (EACH TWO PINS AT BOTH ENDS)
 1: WITHOUT KINKED LEGS

Specifications

- Number of Positions – 4-40
- Tube Packaged or Tray Packaged
- Voltage – 200 V
- Current Rating – 1.0 amp max.
- Dielectric Withstanding Voltage – 500V rms/min.
- Operating Temperature – (-20°C - 85°C)
- Contact Material – phosphor bronze (tin-lead plated)
- Insulator Material – glass-filled PBT, (UL 94 V-O) black color
- FFC/FPC Thickness – 0.3 ±0.05 mm (0.012 ±0.002")
- PCB Thickness – 1.0-1.6mm (0.039-0.633")
- Profile Height – Straight – 7.0mm (0.276")
 Right Angle – 4.2mm (0.165")
- Reverse footprint for straight type also available – contact sales office for details

Series 6216 LIF Right Angle Through-Hole (High Pin Count)



ORDERING CODE

00 6216 OXX 12X 808

NUMBER OF POSITIONS (31-40)
 TRAY PACKAGE

VARIATION CODE
 0: WITH KINKED LEGS (EACH TWO PINS AT BOTH ENDS)
 1: WITHOUT KINKED LEGS

Specifications

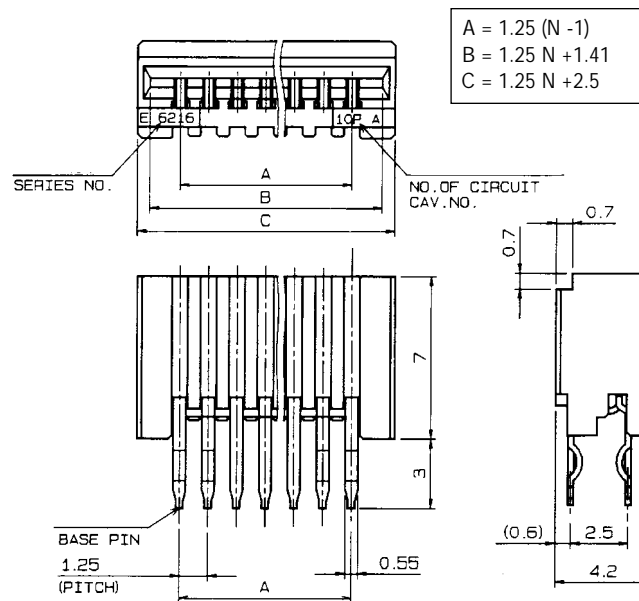
- Number of Positions – 4-40
- Tube Packaged or Tray Packaged
- Voltage – 200 V
- Current Rating – 1.0 amp max.
- Dielectric Withstanding Voltage – 500V rms/min.
- Operating Temperature – (-20°C - +85°C)
- Contact Material – phosphor bronze (tin-lead plated)
- Insulator Material – glass-filled PBT, (UL 94 V-O) black color
- FFC/FPC Thickness – 0.3 ±0.05 mm (0.012 ±0.002")
- PCB Thickness – 1.0-1.6mm (0.039-0.633")
- Profile Height – Straight – 7.0mm (0.276")
 Right Angle – 4.2mm (0.165")
- Reverse footprint for straight type also available – contact sales office for details

Additional information on this product is available from AVX's catalog or AVX's FAX Service. Call 1-800-879-1613 and request document #284. Visit our website <http://www.avxcorp.com>

ELCO

FFC/FPC Connectors 1.25mm Pitch

Series 6216 LIF Straight Through-Hole



ORDERING CODE

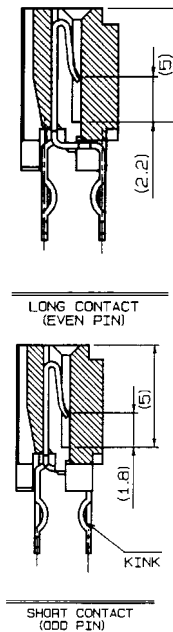
00 6216 0XX 00X 808

NUMBER OF POSITIONS (04-30) TRAY PACKAGE

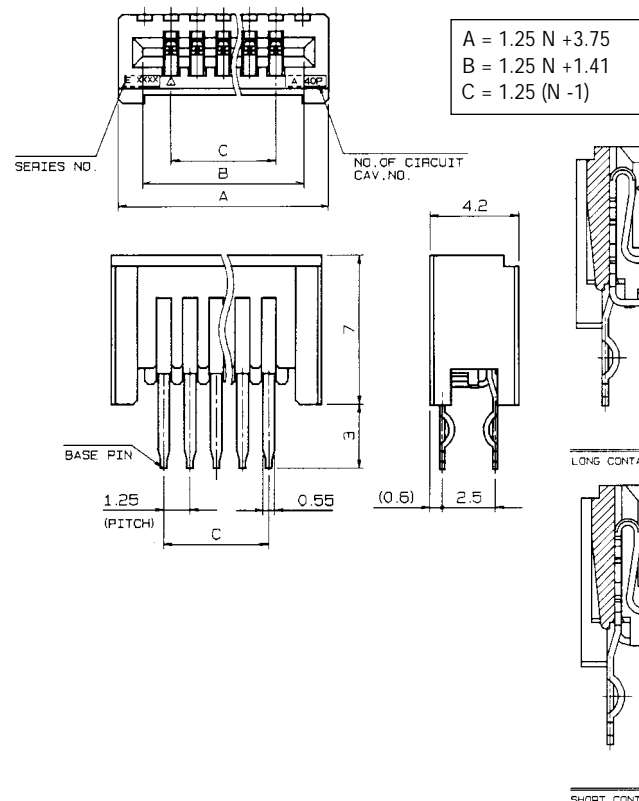
VARIATION CODE
 0: WITH KINKED LEGS (EACH TWO PINS AT BOTH ENDS)
 1: WITHOUT KINKED LEGS

Specifications

- Number of Positions – 4-40
- Tube Packaged or Tray Packaged
- Voltage – 200 V
- Current Rating – 1.0 amp max.
- Dielectric Withstanding Voltage – 500V rms/min.
- Operating Temperature – (-20°C - +85°C)
- Contact Material – phosphor bronze (tin-lead plated)
- Insulator Material – glass-filled PBT, (UL 94 V-O) black color
- FFC/FPC Thickness – 0.3 ±0.05 mm (0.012 ±0.002")
- PCB Thickness – 1.0-1.6mm (0.039-0.633")
- Profile Height – Straight – 7.0mm (0.276")
 Right Angle – 4.2mm (0.165")
- Reverse footprint for straight type also available – contact sales office for details



Series 6216 LIF Straight Through-Hole (High Pin Count)



ORDERING CODE

00 6216 1XX 82X 808

NUMBER OF POSITIONS (31-40) TRAY PACKAGE

VARIATION CODE
 0: WITH KINKED LEGS (EACH TWO PINS AT BOTH ENDS)
 1: WITHOUT KINKED LEGS

Specifications

- Number of Positions – 4-40
- Tube Packaged or Tray Packaged
- Voltage – 200 V
- Current Rating – 1.0 amp max.
- Dielectric Withstanding Voltage – 500V rms/min.
- Operating Temperature – (-20°C - +85°C)
- Contact Material – phosphor bronze (tin-lead plated)
- Insulator Material – glass-filled PBT, (UL 94 V-O) black color
- FFC/FPC Thickness – 0.3 ±0.05 mm (0.012 ±0.002")
- PCB Thickness – 1.0-1.6mm (0.039-0.633")
- Profile Height – Straight – 7.0mm (0.276")
 Right Angle – 4.2mm (0.165")
- Reverse footprint for straight type also available – contact sales office for details

Additional information on this product is available from AVX's catalog or AVX's FAX Service. Call 1-800-879-1613 and request document #285. Visit our website <http://www.avxcorp.com>