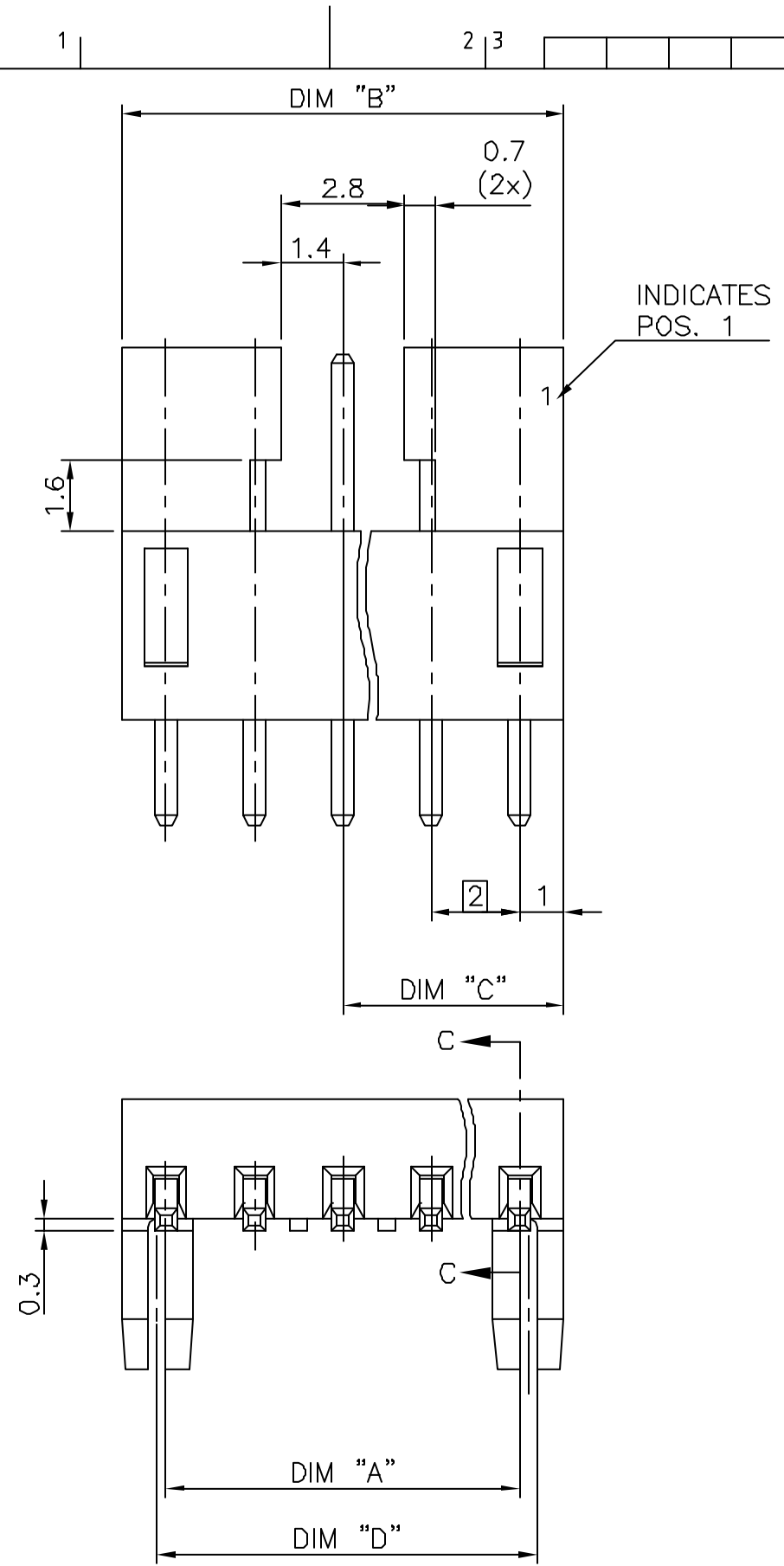
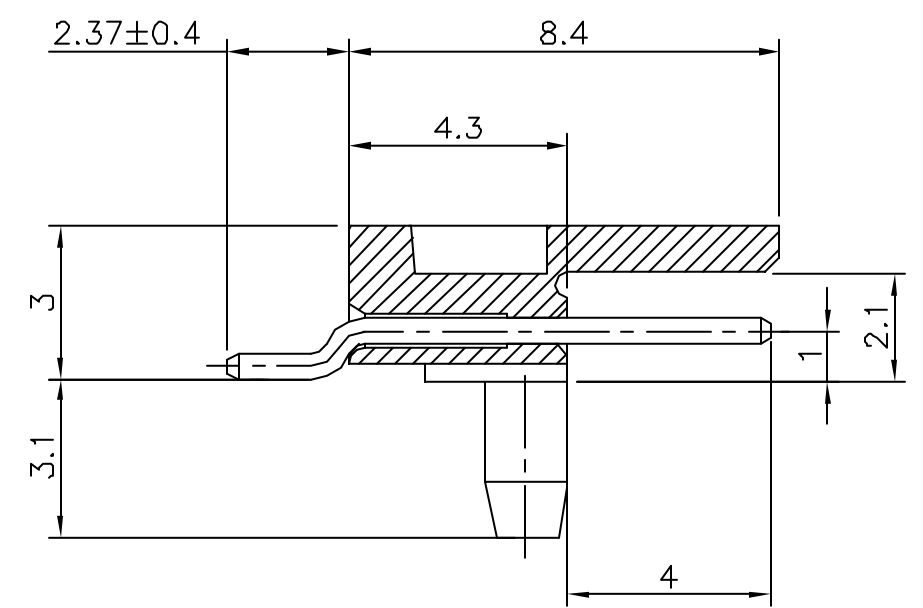


PRODUCT NUMBER
90314-YXX

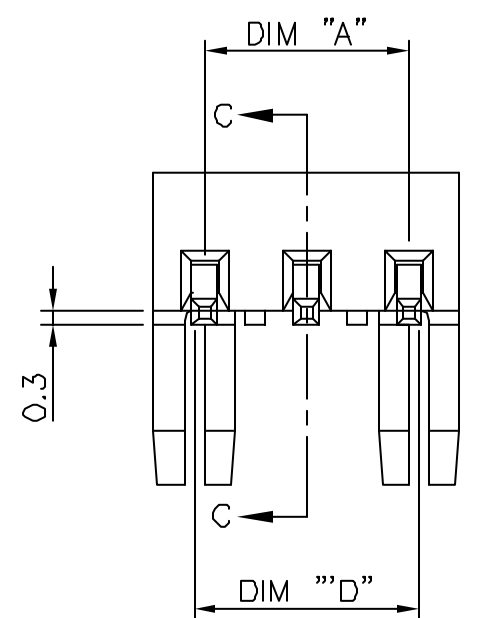
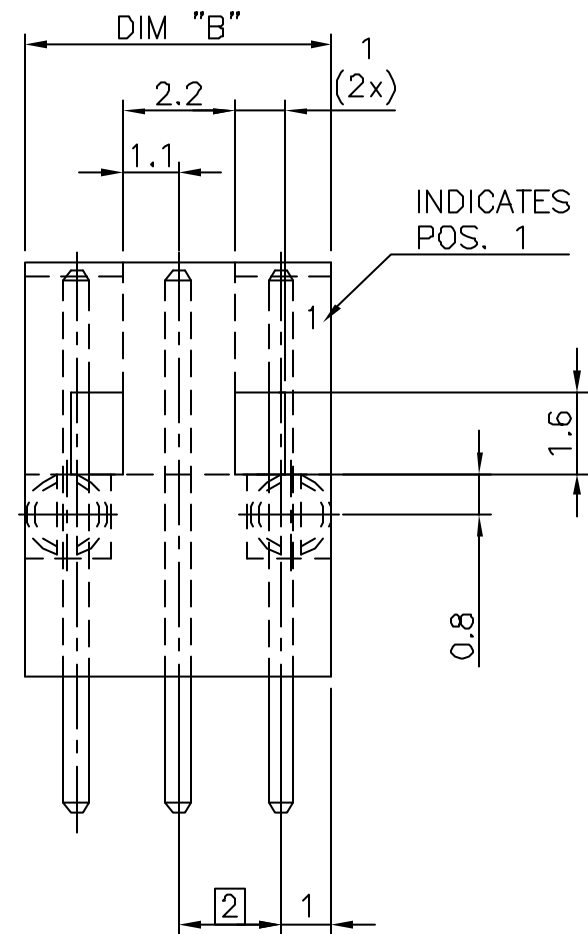


SECTION C-C

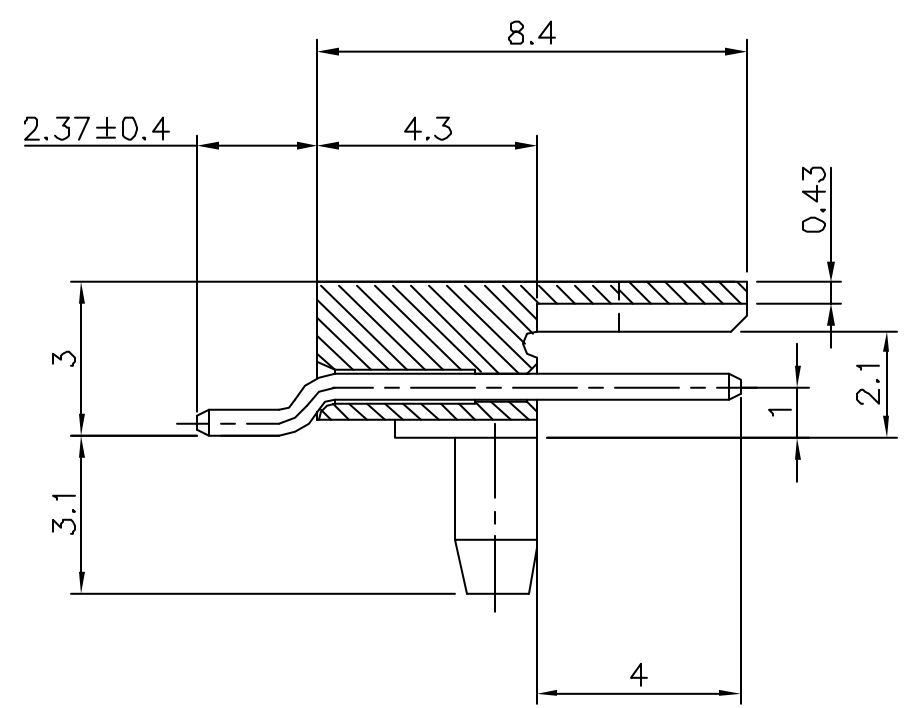


mat'l. code				surface	tolerance	projection	product family	
SEE NOTES				ISO 1302	ISO 406	ISO 1101	MINITEK HEADER	
ltr	ecn no	dr	date	tolerances unless otherwise specified			title	
E	F70474	JLC	97.07.26	angles	.X	±0.3	SHR HEADER	
F	F06-021C	LMU	06.07.04	linear	.XX	±0.13	2.00mm SMT SR	
				±2'	.XXX	±0.05	scale 7:1	
				dr	JL.CORDIER	97.07.26	FCJ	dwg no
				engr	J.COMPAGNON	97.07.26		sheet 1 of 3
				chr	JL.CORDIER	97.07.26		size
				appd	JMC	97.07.26		A3
sheet index	revision sheet	F 1	F 2	F 3			type CUSTOMER Drawing	

PRODUCT NUMBER
90314-Y03



SECTION C-C

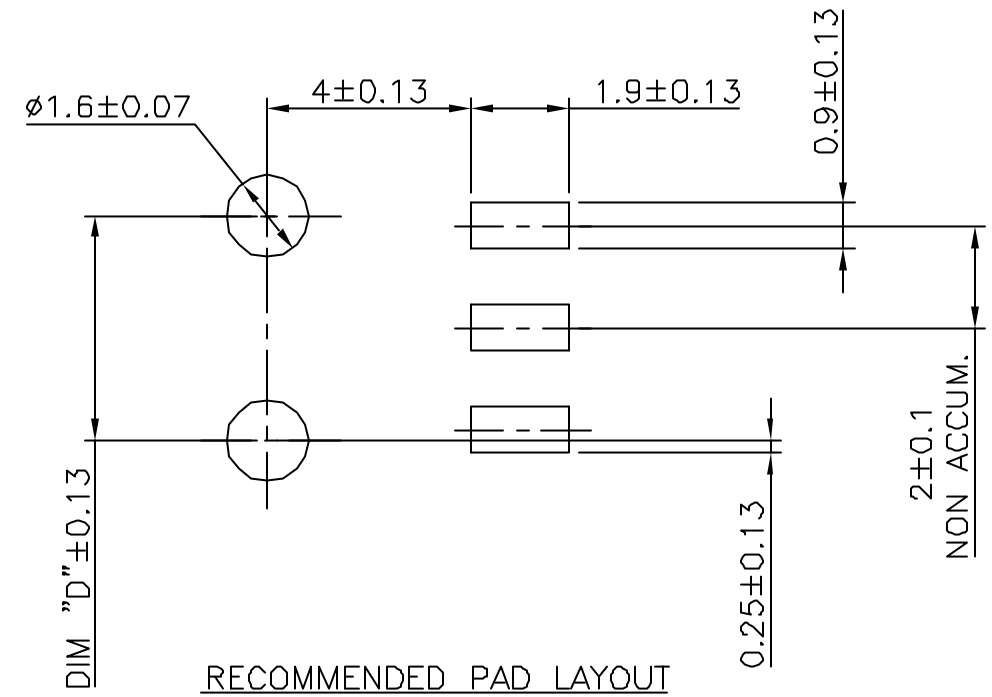


mat'l. code				surface	tolerance	projection	product family	
SEE NOTES				ISO 1302	ISO 406	ISO 101	MINITEK HEADER	
ltr	ecn no	dr	date	tolerances unless otherwise specified			title	
E	F70474	JLC	97.07.26	angles	.X	±0.3	SHR HEADER 2.00mm SMT SR	
F	F06-0210	LMU	06.07.04	Linear	.XX	±0.13		
				±2°	.XXX	±0.05		
				dr	JL.CORDIER	97.07.26	scale 7:1	dwg no
				enr	J.COMPAGNON	97.07.26	mm	sheet 2 of
				chr	JL.CORDIER	97.07.26		90314
				appd	JMC	97.07.26	FCI	A3
						type		CUSTOMER Drawing
sheet index	revision sheet							



Copyright FCI

PRODUCT NUMBER	POSITIONS	DIM "A"	DIM "B"	LATCH DIM "C"	DIM "D"
90314-Y03	1 X 3	4.0	6.0	3.0	4.40
90314-Y04	1 X 4	6.0	8.0	4.0	6.40
90314-Y05	1 X 5	8.0	10.0	5.0	8.40
90314-Y06	1 X 6	10.0	12.0	6.0	10.40
90314-Y07	1 X 7	12.0	14.0	7.0	12.40
90314-Y08	1 X 8	14.0	16.0	8.0	14.40
90314-Y09	1 X 9	16.0	18.0	9.0	16.40
90314-Y10	1 X 10	18.0	20.0	10.0	18.40
90314-Y11	1 X 11	20.0	22.0	11.0	20.40
90314-Y12	1 X 12	22.0	24.0	12.0	22.40
90314-Y13	1 X 13	24.0	26.0	13.0	24.40
90314-Y14	1 X 14	26.0	28.0	14.0	26.40
90314-Y15	1 X 15	28.0	30.0	15.0	28.40
90314-Y16	1 X 16	30.0	32.0	16.0	30.40
90314-Y17	1 X 17	32.0	34.0	17.0	32.40



NOTES

- 1 - HOUSING MATERIAL: LCP.
- 2 - TERMINAL MATERIAL: PHOSPHOR BRONZE
- 3 - PRODUCT DESCRIPTION CODE:
 XXXXX-X XX
 TOTAL POSITIONS
 PLATING
 BASE NUMBER
- 4 - T TYPE LATCH ONLY POS 1x4 AND ABOVE

90314-6XX	0.76um GXT
90314-5XX	0.38um GXT
90314-3XX	0.38um Au
90314-1XX	0.76um Au
90314-0XX	0.20um Au
PLATING CODE	PLATING THICKNESS OVER 1.27 um Ni

mat'l. code		surface		tolerance		projection		product family	
SEE NOTES		ISO 1302 ✓		ISO 406 ISO 1101		mm		MINITEK HEADER	
ltr	ecn no	dr	date	tolerances unless otherwise specified		mm		title	
E	F70474	JLC	97.07.26	angles	.X ±0.3	mm		SHR HEADER	
F	F06-0210	LMU	06.07.04	Linear	.XX ±0.13	scale 7:1		2.00mm SMT SR	
				±2'	.XXX ±0.05	FCI		dwg no sheet 3 of size	
				dr	JL.CORDIER 97.07.26			90314 A3	
				enr	J.COMPAGNON 97.07.26			type CUSTOMER Drawing	
				chr	JL.CORDIER 97.07.26				
				appd	JMC 97.07.26				
sheet index	revision sheet								



Copyright FCI