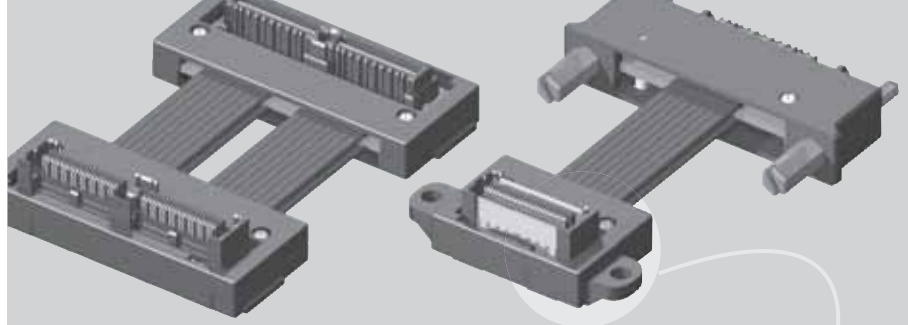




(0,635mm) .025"

6QDPS, 6QDP SERIES



6QDP-032-06.0-STR-TTR-2

6QDPS-016-06.0-STR-TEU-3-B

HIGH SPEED TWINAX CABLE ASSEMBLIES

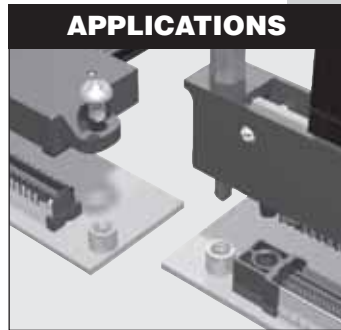
SPECIFICATIONS

For complete specifications see www.samtec.com?6QDPS or www.samtec.com?6QDP

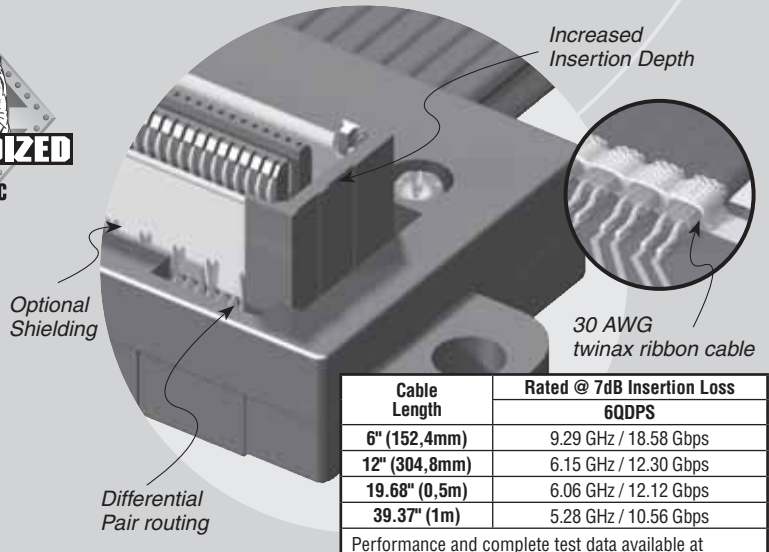
- Cable:** 30 AWG twinax micro ribbon
- Signal Routing:** 100Ω Differential
- Cable Bending Radius:** (11,11mm) 7/16" min
- Plating:** Au over 50μ" (1,27μm) Ni
- Current Rating:** 1 A max
- Propagation Delay:** 4.67 nsec/meter
- Operating Temp Range:** -40°C to +105°C
- Skew (pair-to-pair):** <10 ps/ft
- Skew (within a pair):** <5 ps/ft
- EMI Performance:** FCC Class A
- RoHS Compliant:** Yes



Mates with:
QMSS-DP, QFSS-DP,
QMS-DP, QFS-DP



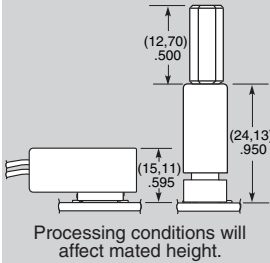
APPLICATIONS



Cable Length	Rated @ 7dB Insertion Loss
	6QDPS
6" (152,4mm)	9.29 GHz / 18.58 Gbps
12" (304,8mm)	6.15 GHz / 12.30 Gbps
19.68" (0,5m)	6.06 GHz / 12.12 Gbps
39.37" (1m)	5.28 GHz / 10.56 Gbps

Performance and complete test data available at www.samtec.com?6QDPS or contact sig@samtec.com

APPLICATIONS



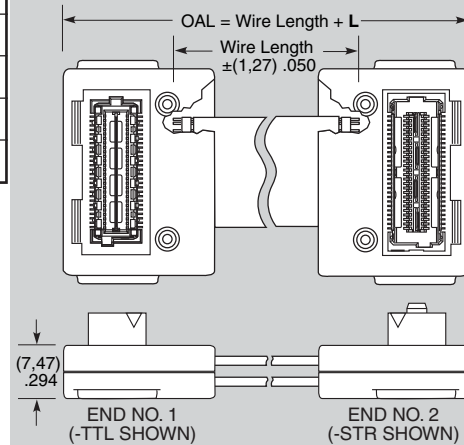
END TO END	L
Surface Mount to Surface Mount	(23,88) .940
Surface Mount to Edge Mount (Terminal)	(21,08) .830
Surface Mount to Edge Mount (Socket)	(20,35) .801
Edge Mount (Terminal) to Edge Mount (Terminal)	(18,29) .720
Edge Mount (Terminal) to Edge Mount (Socket)	(17,55) .691
Edge Mount (Socket) to Edge Mount (Socket)	(16,81) .662

Note: Cable lengths longer than 40.00" (1 meter) are not supported with S.I. test data.

Note: Verify part number and correct wiring scheme with Samtec's Interactive Cable Builder at www.samtec.com/cable_builder/pitch.aspx

Note: This Series is non-standard, non-returnable.

TYPE	NO. OF PAIRS	WIRE LENGTH	END NO. 1	END NO. 2	WIRING OPTION	SCREW OPTION
6QDPS = Shielded mates with QMSS-DP/QFSS-DP	-016, -032, -048, -064	- "XX.X" = Wire Length in Inches (95,3mm) 03.8" minimum	Specify END ASSEMBLIES from chart		-1 = Pin 1 to Pin 1 -2 = Pin 1 to Pin 2 -3 = Pin 1 to Second Last Pin -4 = Pin 1 to Last Pin	Leave blank for no Screw Option -F = End No. 1 -S = End No. 2 -B = Both Ends
6QDP = Unshielded mates with QMS-DP/QFS-DP						



SURFACE MOUNT		
ASSEMBLY	END 1	END 2
-TTR = Terminal, Top, Notch Right		
-TTL = Terminal, Top, Notch Left		
-TBR = Terminal, Bottom, Notch Right		
-TBL = Terminal, Bottom, Notch Left		
-STR = Socket, Top, Notch Right		
-STL = Socket, Top, Notch Left		
-SBR = Socket, Bottom, Notch Right		
-SBL = Socket, Bottom, Notch Left		

EDGE MOUNT		
ASSEMBLY	END 1	END 2
-TEU = Terminal, Edge, Notch Up		
-TED = Terminal, Edge, Notch Down		

WIRING REQUIREMENTS	
WIRING OPTION	END OPTIONS
1 or 2	TTR, TBL, STL, SBR, TEU to TTR, TBL, STL, SBR, TED or TTL, TBR, STR, SBL, TED to TTL, TBR, STR, SBL, TEU
3 or 4	TTL, TBR, STR, SBL, TED to TTR, TBL, STL, SBR, TEU or TTR, TBL, STL, SBR, TEU to TTL, TBR, STR, SBL, TEU

Due to technical progress, all designs, specifications and components are subject to change without notice.

WWW.SAMTEC.COM