



CHENYI ELECTRONICS

# KBU6A THRU KBU6M

## SINGLE PHASE GLASS BRIDGE RECTIFIER

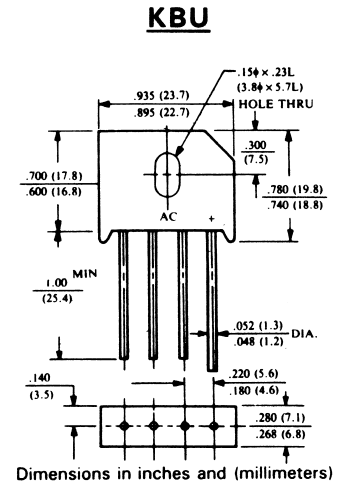
Voltage: 50 TO 1000V CURRENT:6.0A

### FEATURES

- Ideal for printed circuit board
- Surge overload rating: 250A peak
- High case dielectric strength

### MECHANICAL DATA

- Terminal:** Plated leads solderable per MIL-STD 202E, method 208C
- Case:** UL-94 Class V-0 recognized Flame Retardant Epoxy
- Polarity:** Polarity symbol marked on body
- Mounting position:** any



### MAXIMUM RATINGS AND ELECTRICAL CHARACTERISTICS

(Single-phase, half-wave, 60HZ, resistive or inductive load rating at 25°C , unless otherwise stated,

for capacitive load, derate current by 20%)

|   | SYMBOL             | KBU 6A      | KBU 6B | KBU 6D | KBU 6G | KBU 6J | KBU 6K | KBU 6M | units |
|---|--------------------|-------------|--------|--------|--------|--------|--------|--------|-------|
| Maximum Recurrent Peak Reverse Voltage  | V <sub>rrm</sub>   | 50          | 100    | 200    | 400    | 600    | 800    | 1000   | V     |
| Maximum RMS Voltage   | V <sub>rms</sub>   | 35          | 70     | 140    | 280    | 420    | 560    | 700    | V     |
| Maximum DC blocking Voltage   | V <sub>dc</sub>    | 50          | 100    | 200    | 400    | 600    | 800    | 1000   | V     |
| Maximum Average Forward Rectified current at Ta=50 °C                             | I <sub>f(av)</sub> | 6.0         |        |        |        |        |        |        | A     |
| Peak Forward Surge Current 8.3ms single half sine-wave superimposed on rated load | I <sub>fsm</sub>   | 250         |        |        |        |        |        |        | A     |
| Maximum Instantaneous Forward Voltage at forward current 6.0A DC                  | V <sub>f</sub>     | 1.1         |        |        |        |        |        |        | V     |
| Maximum DC Reverse Voltage Ta=25 °C   | I <sub>r</sub>     | 10.0        |        |        |        |        |        |        | μ A   |
| at rated DC blocking voltage Ta=100 °C  |                    | 1.0         |        |        |        |        |        |        | μ A   |
| Operating Temperature Range   | T <sub>j</sub>     | -55 to +150 |        |        |        |        |        |        | °C    |
| Storage and operation Junction Temperature  | T <sub>stg</sub>   | -55 to +150 |        |        |        |        |        |        | °C    |

### RATINGS AND CHARACTERISTIC CURVES KBU6A THRU KBU6M

FIG.1-MAXIMUM NON-REPETITIVE FORWARD SURGE CURRENT

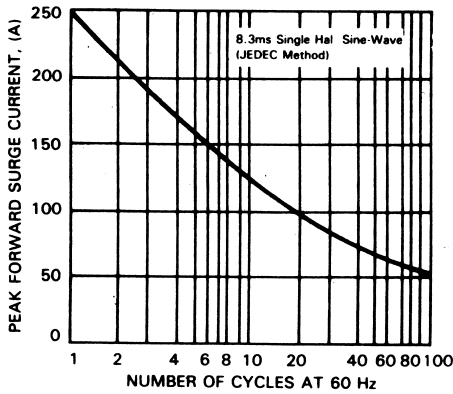


FIG.2-TYPICAL FORWARD CURRENT DERATING CURVE

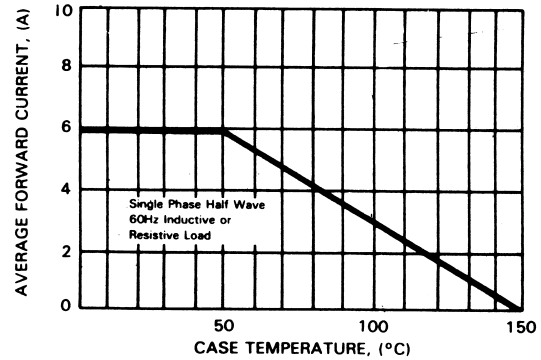


FIG.3-TYPICAL INSTANTANEOUS FORWARD CHARACTERISTICS

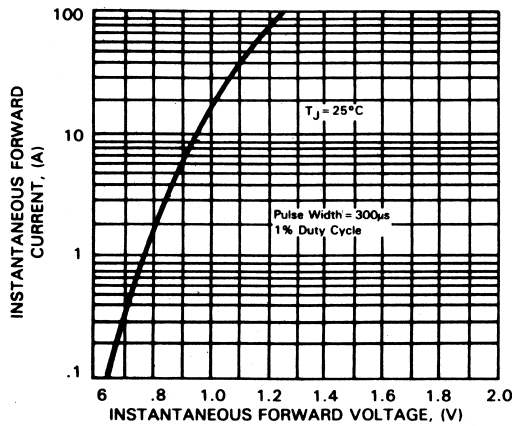


FIG.4-TYPICAL REVERSE CHARACTERISTICS

