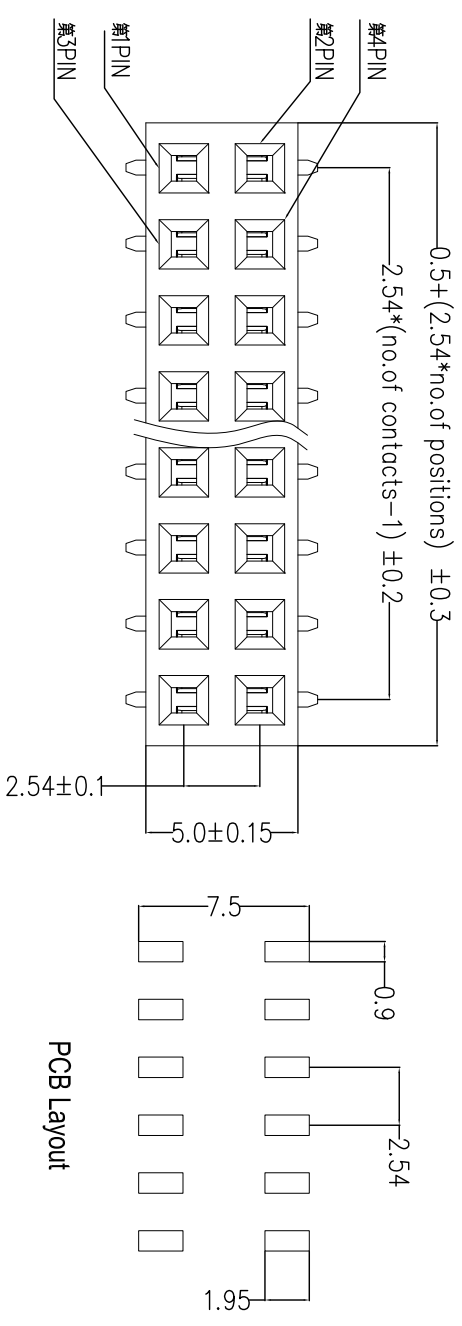


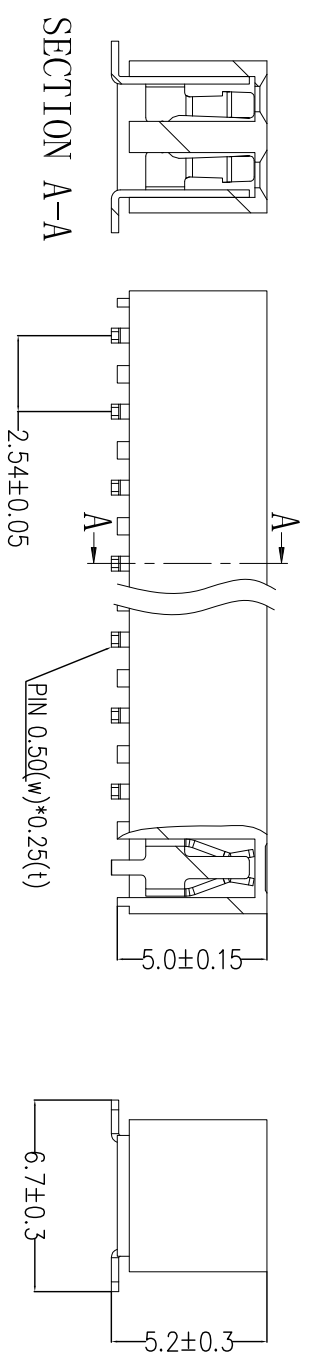
REV.	DESCRIPTION	DATE



PCB Layout

- NOTE:**
- Material:**
1. Housing: Polyester, UL 94V-0.
 2. Terminal: Copper alloy, Gold-plated.
- Electrical:**
1. Current rating: 3 Amp.
 2. Contact resistance: 30mΩ Max.
 3. Insulator resistance: 5000MΩ Min.
 4. Dielectric withstand: AC 1000 V.
 5. Temperature: -40°C ~ +105°C

Available pins: 06~80 contacts



SECTION A-A

<p>TOLERANCE</p> <p>X ± XX</p> <p>XX ± XX</p> <p>XXX ± XX</p>	<p>DRAWER</p> <p><i>Chiu Chuan Siao</i></p>	<p>NAME</p> <p>SynLight 日亮電子科技有限公司</p> <p><i>Sun-light Electronic Technologies Inc.</i></p>
<p>UNITS: mm</p>	<p>APPROVAL</p> <p><i>Shue Jeng Siao</i></p>	<p>DOUBLE ROW</p> <p>2.54mm Female Header H:5.0 W:5.0 SMT type</p>
<p>SCALE</p> <p>FREE</p>	<p>DATE</p> <p>12 / 10 / 2010</p>	<p>PART NO.</p> <p>F2540-H50-DSMT-XX</p>
<p>SIZE</p> <p>A4</p>	<p>SHEET</p> <p>1 OF 1</p>	<p>REV.</p> <p>A</p>